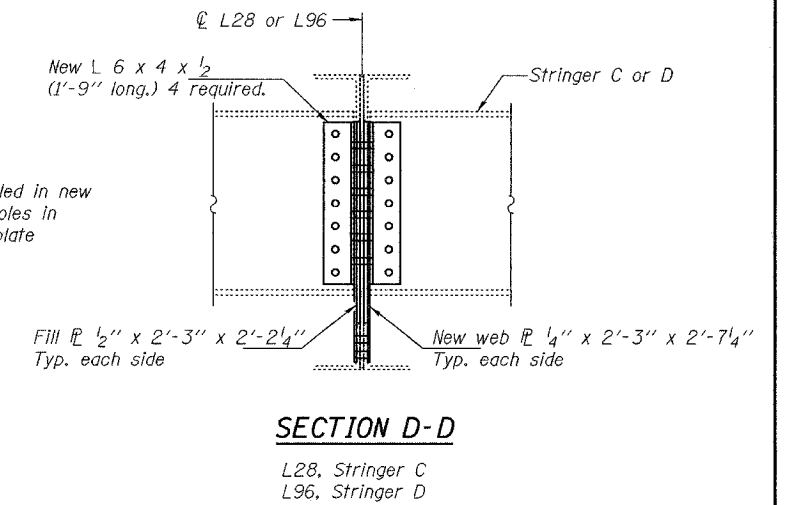
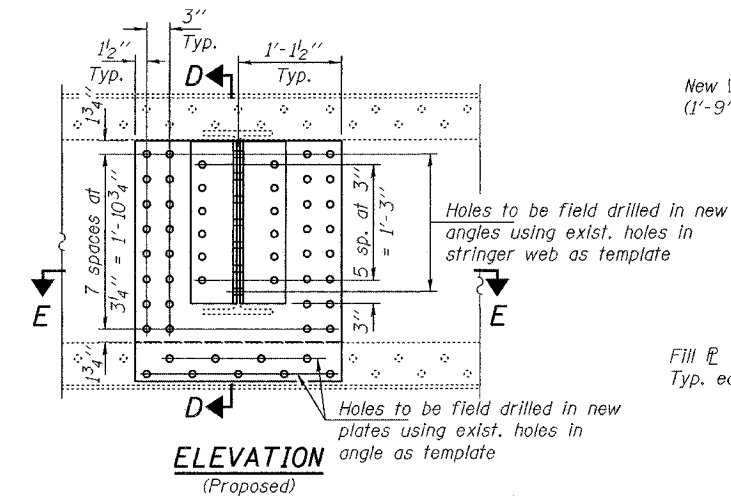
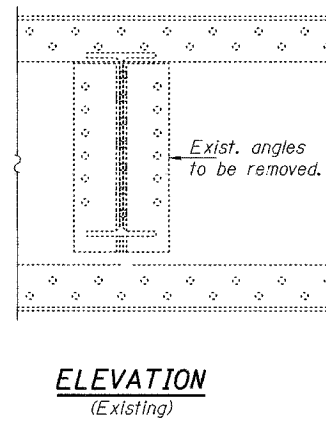
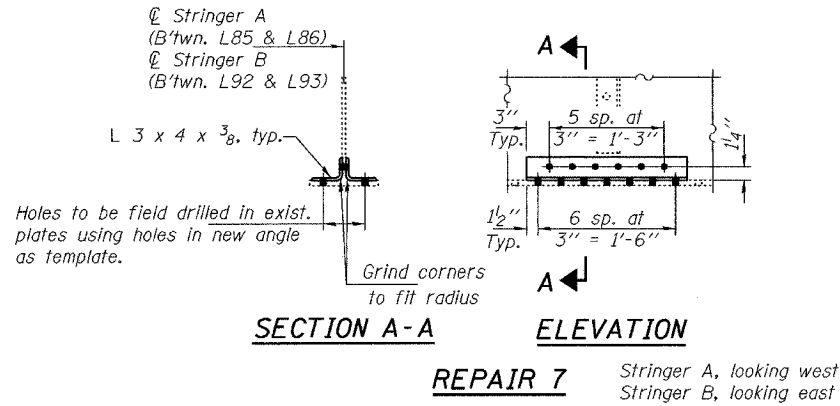


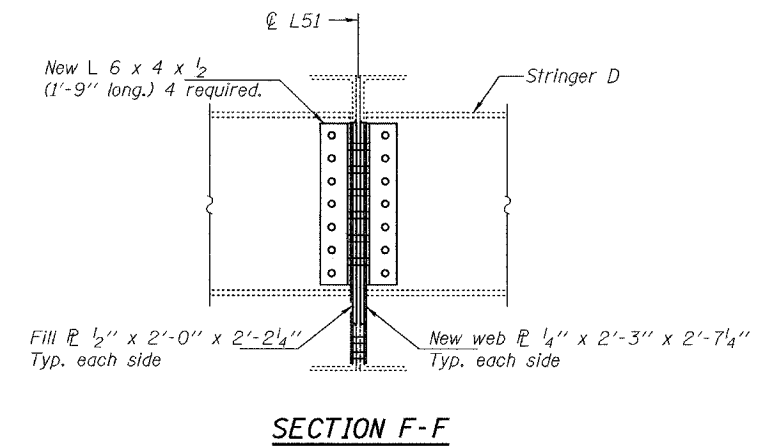
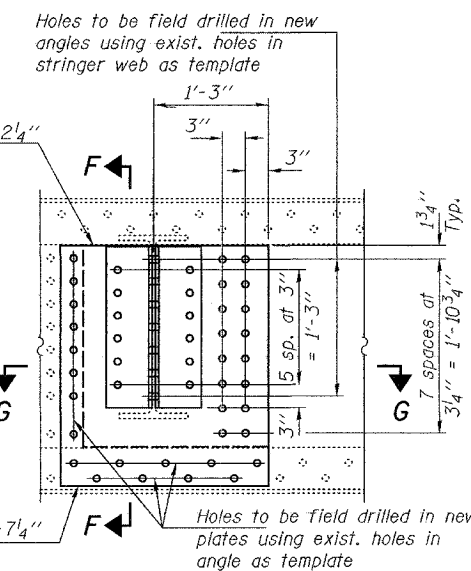
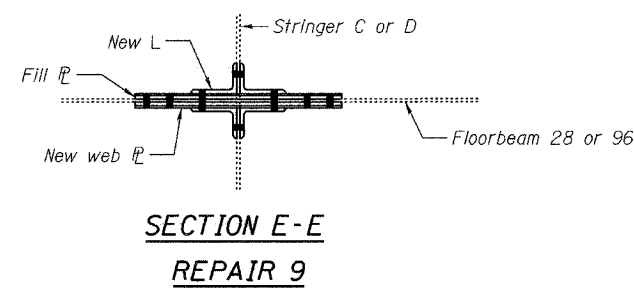
STATE OF ILLINOIS
DEPARTMENT OF TRANSPORTATION

ROUTE NO. FAS 944	SECTION *	COUNTY ALEXANDER	TOTAL SHEETS 11	SHEET NO. 11	SHEET NO. 8 13 SHEETS
FED. ROAD DIST. NO. 7		ILLINOIS	FED. AID PROJECT		

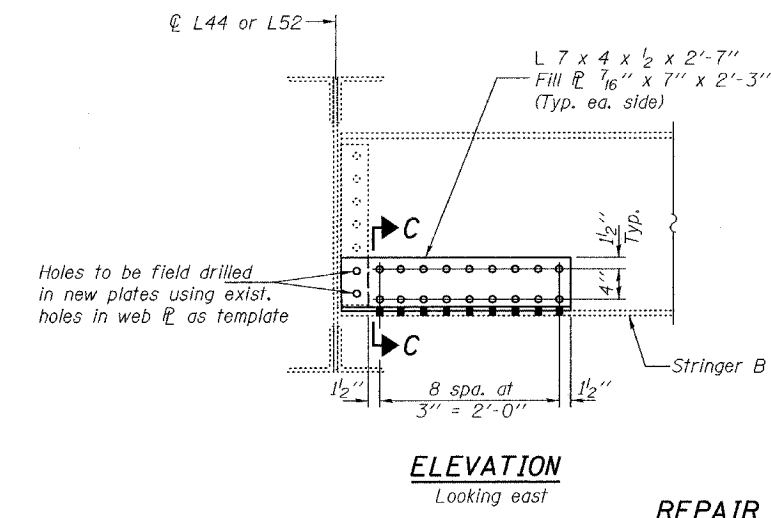
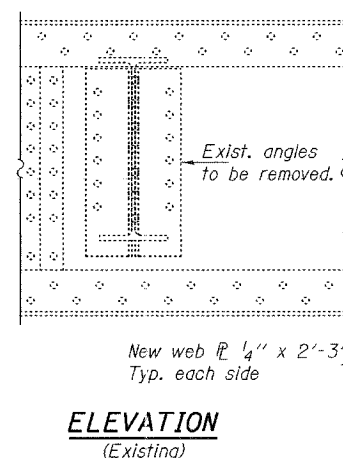
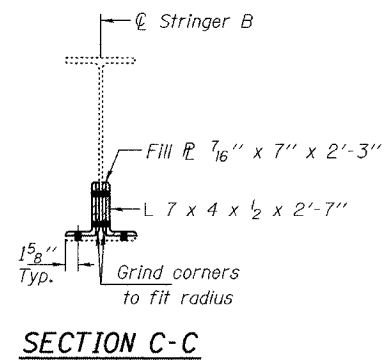
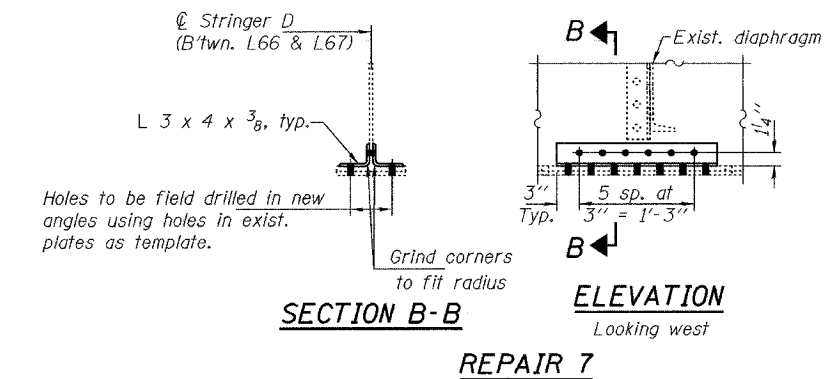
* (138D-BR)1-5 Contract No. 98640



Note:
Temporary shoring & cribbing
of stringer end is required.



Note:
Temporary shoring & cribbing
of stringer end is required.



DESIGNED	DAB
CHECKED	JSB
DRAWN	ballva
CHECKED	DAB JSB

MARCH 14, 2005
EXAMINED *John A. Morris*
ENGINEER OF STRUCTURAL SERVICES
PASSED *Ralph E. Anderson*
ENGINEER OF BRIDGES AND STRUCTURES

BRIDGE REPAIRS
OLD CAIRO BRIDGE OVER MISSISSIPPI RIVER
FAS RTE. 944 (US 60 & 62)
SEC. (138D-BR)1-5
ALEXANDER COUNTY
SN 002-0005