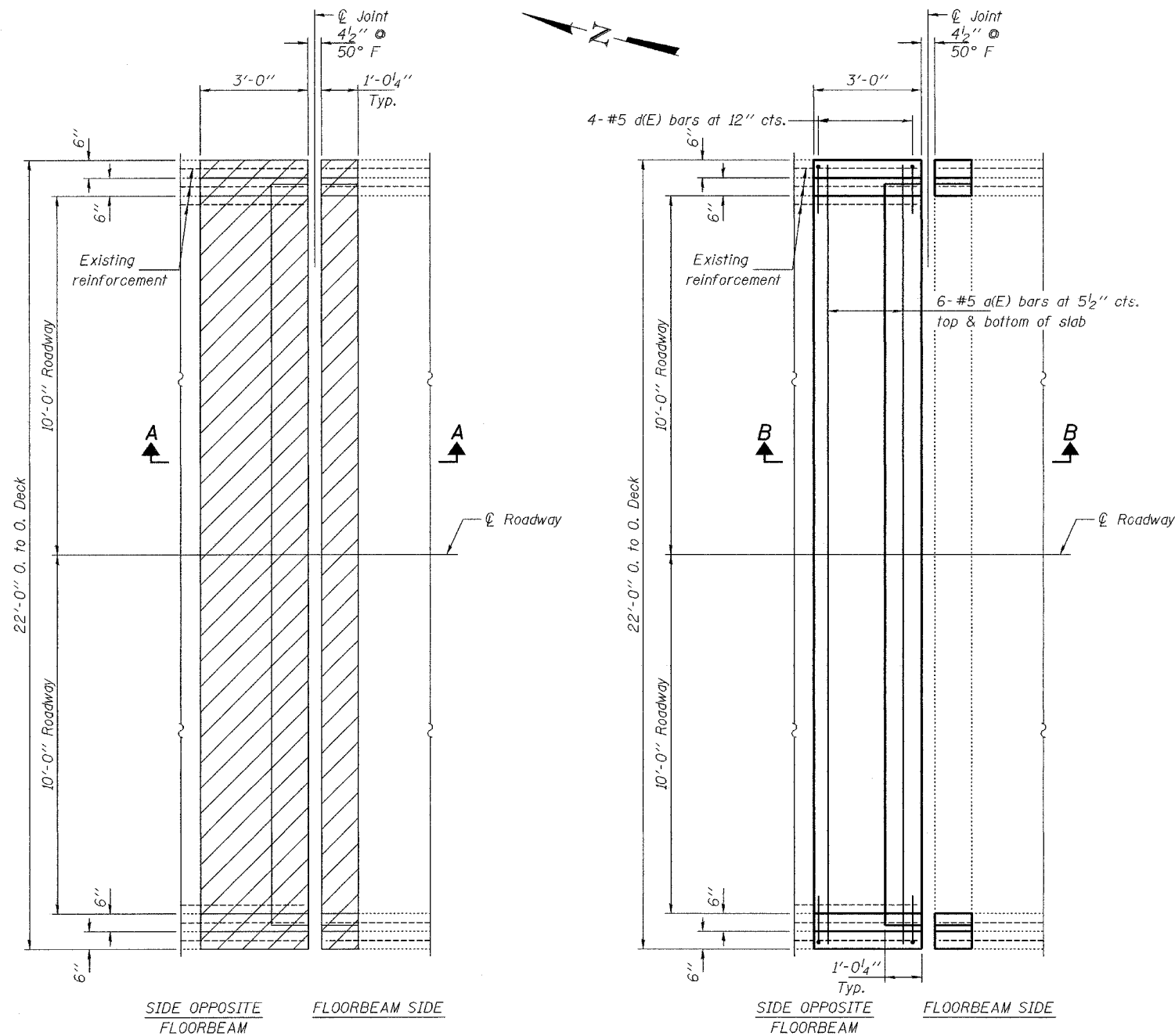


STATE OF ILLINOIS
DEPARTMENT OF TRANSPORTATION

ROUTE NO. FAS 944	SECTION *	COUNTY ALEXANDER	TOTAL SHEETS 7	SHEET NO. 7	SHEET NO. 4 13 SHEETS
FED. ROAD DIST. NO. 7		BILLINGS		FED. AID PROJECT-	
* (138D-BR)I-5			Contract No. 98640		

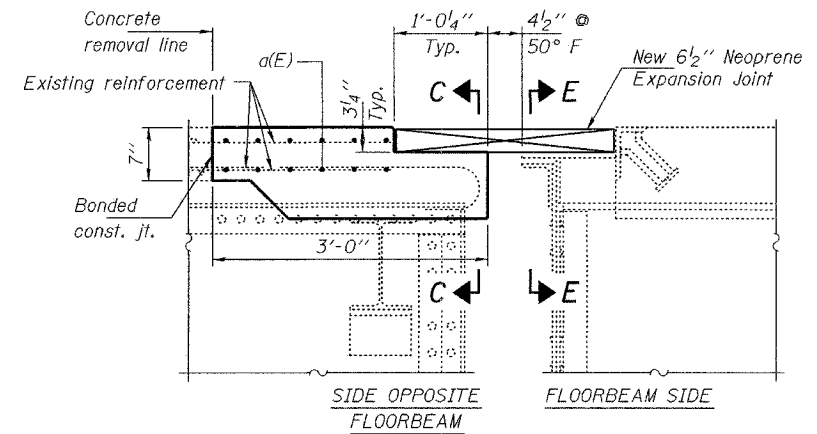


**PARTIAL PLAN
SHOWING CONCRETE REMOVAL**

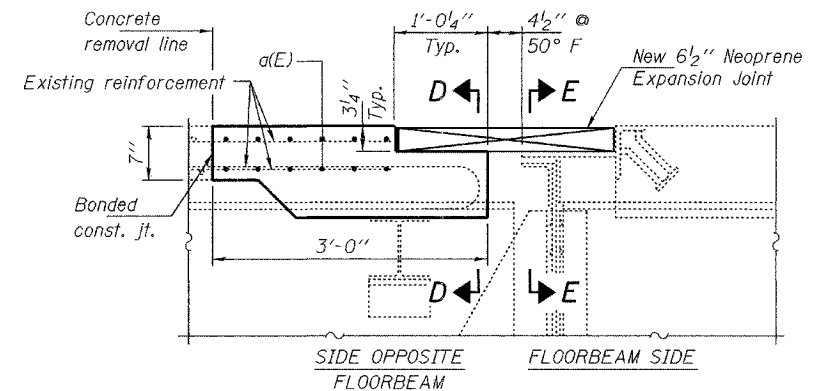
REPAIR 2

**PARTIAL PLAN
SHOWING CONCRETE REPLACEMENT**

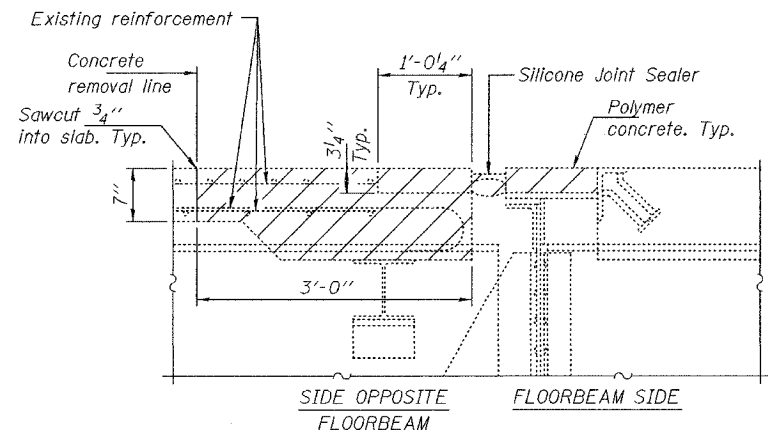
(Pier A & Panel Points 15, 47 & 79 shown.
Pier H & Panel Points 23, 55 & 87 similar by rotation)



**SECTION B-B
AT PIERS A & H**
(Pier A shown, Pier H similar by rotation)



**SECTION B-B
AT PANEL POINTS 15, 23, 47, 55, 79 & 87**
(Panel Points 15, 47 & 79 shown.
Panel Points 23, 55 & 87 similar by rotation)



**SECTION A-A
AT PIERS A & H, & PANEL POINTS 15, 23, 47, 55, 79 & 87**
(Pier A & Panel Points 15, 47 & 79 shown.
Pier H & Panel Points 23, 55 & 87 similar by rotation)

BILL OF MATERIAL

Bar	No.	Size	Length	Shape	
a(E)	24	#5	21'-8"	—	
d(E)	16	#5	3'-10"	⊥	
Reinforcement Bars, Epoxy Coated				Pound	610
Concrete Superstructure				Cu. Yd.	15.6
Concrete Removal				Cu. Yd.	18.7

Reinforcement bars designated (E) shall be epoxy coated.

DESIGNED	DAB
CHECKED	JSB
DRAWN	baliva
CHECKED	DAB JSB

MARCH 14, 2005
EXAMINED *John A. Morris*
ENGINEER OF STRUCTURAL SERVICES
PASSED *Ralph E. Anderson*
ENGINEER OF BRIDGES AND STRUCTURES

Notes:
For Sections C-C, D-D & E-E, see sheet 5 of 13.
Hatched areas indicate Concrete removal.

**BRIDGE REPAIRS
OLD CAIRO BRIDGE OVER MISSISSIPPI RIVER
FAS RTE. 944 (US 60 & 62)
SEC. (138D-BR)I-5
ALEXANDER COUNTY
SN 002-0005**