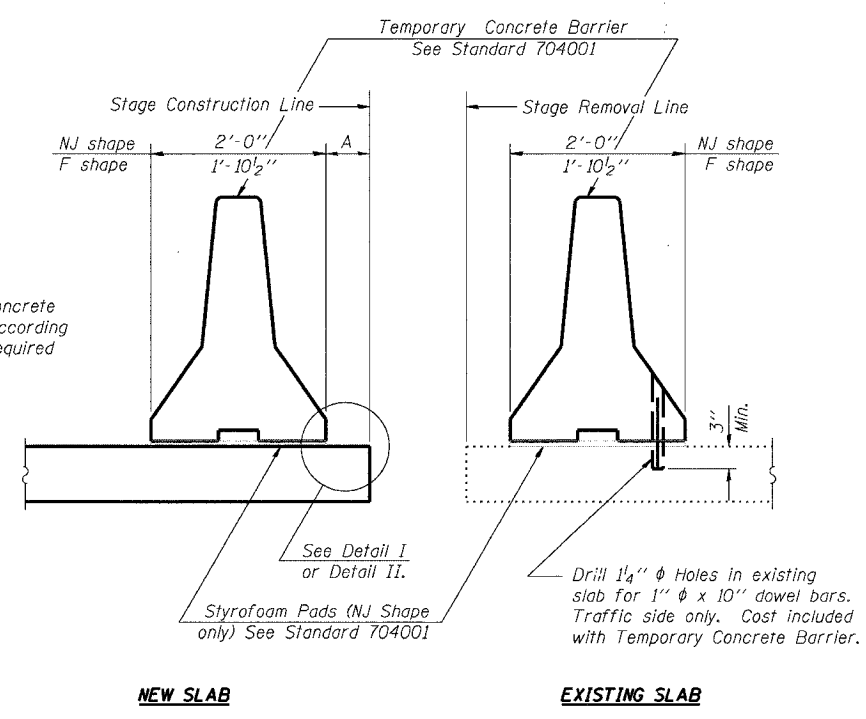


F.A.U. RTE.	SECTION	COUNTY	TOTAL SHEETS	SHEET NO.
266I	00-00095-II-BR	LAKE	28	20
TEMPORARY CONCRETE BARRIER				
C-9-69-00	ILLINOIS			

CONTRACT NO.: 83789

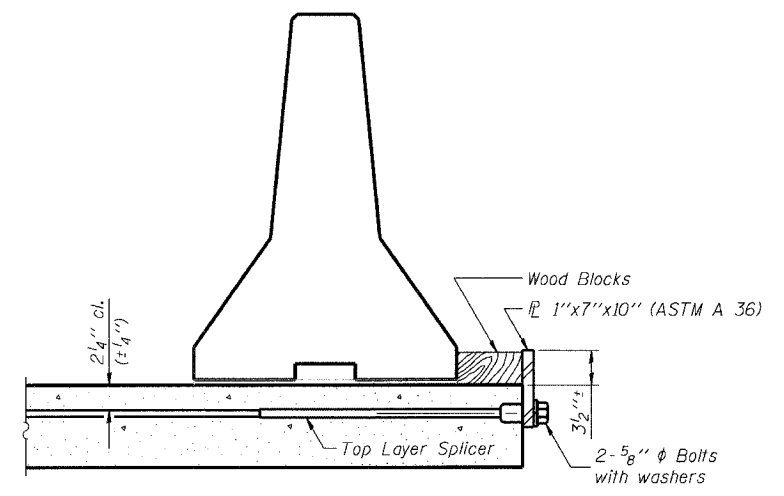


When "A" is 3'-6" or less, the temporary concrete barrier shall be anchored to the new slab according to Detail I or Detail II. No anchorage is required when "A" is greater than 3'-6".

SECTIONS THRU SLAB

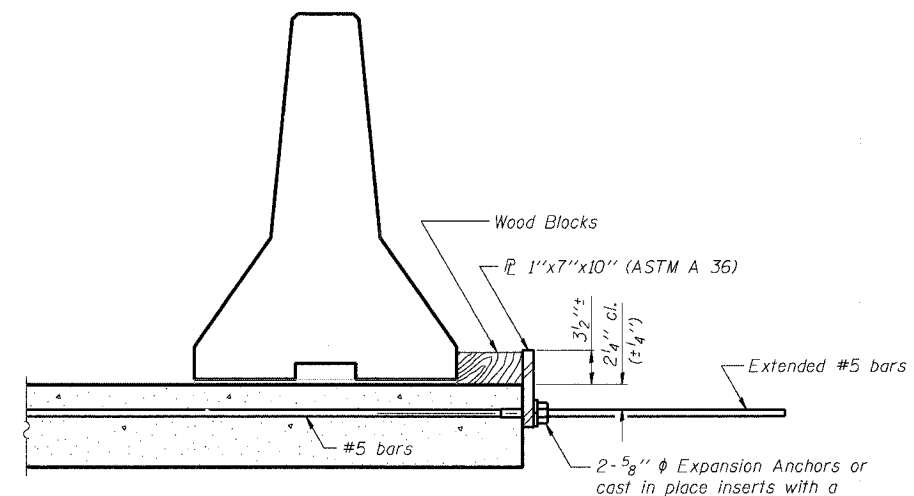
NOTES

- Detail I - With Bar Splicer or Couplers:
Connect one (1) 1"x7"x10" steel PL to the top layer of couplers with 2-5/8" φ bolts screwed to coupler at approximate C of each barrier panel.
 - Detail II - With Extended Reinforcement Bars:
Connect one (1) 1"x7"x10" steel PL to the concrete slab with 2-5/8" φ Expansion Anchors or cast in place inserts spaced between the top layer of reinforcement at approximate C of each barrier panel.
- Cost of anchorage is included with Temporary Concrete Barrier.



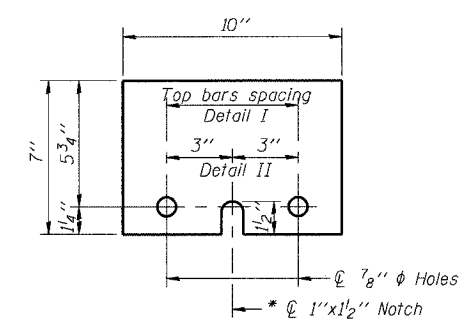
DETAIL I

The 1"x7"x10" Plate shall not be removed until Stage II Construction forms and reinforcement bars are in place.



DETAIL II

The 1"x7"x10" Plate shall not be removed until Stage II Construction forms and all reinforcement bars are in place and the concrete is ready to be placed.



PL 1"x7"x10"

* Required only with Detail II

TEMPORARY CONCRETE BARRIER
 HUNT CLUB ROAD OVER
 MILL CREEK
 SECTION 00-00095-II-BR
 LAKE COUNTY
 STATION 116+60.00
 STRUCTURE NO. 049-3072

11 Temp Barrier.dgn 12/30/2004 2:15:53 PM