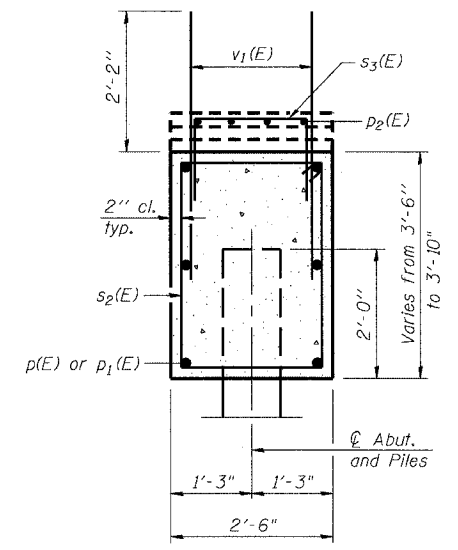


ELEVATION
(Looking South)



SEC. THRU ABUT.

BILL OF MATERIAL

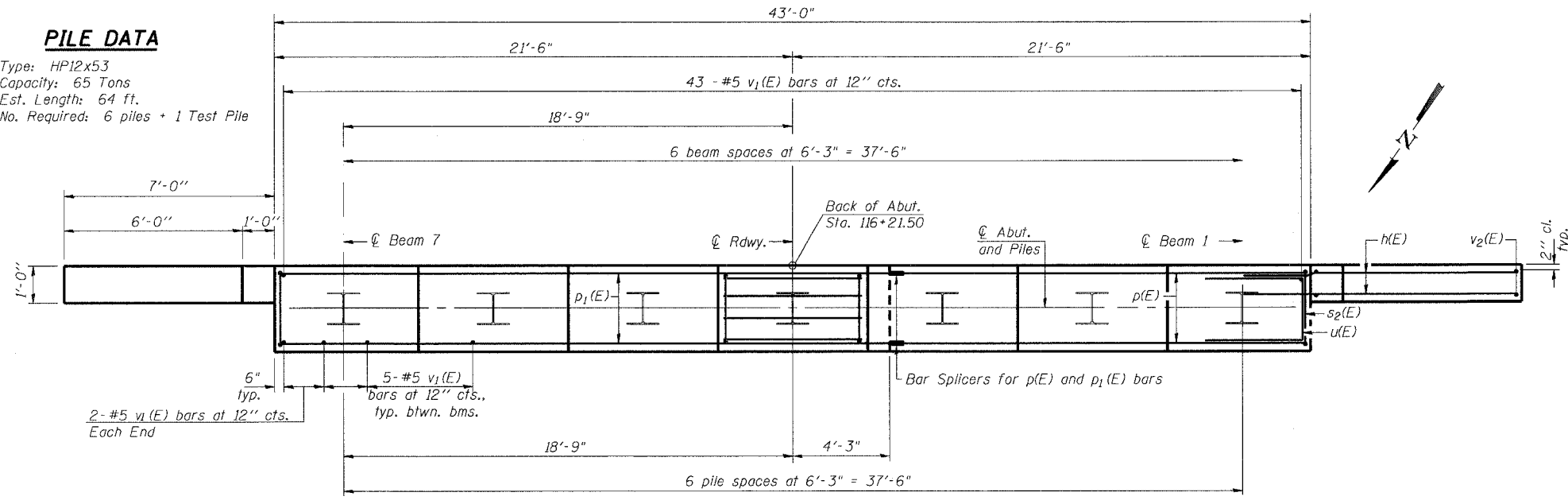
Bar	No.	Size	Length	Shape
h(E)	32	#5	8'-9"	—
p(E)	6	#7	17'-1"	—
p1(E)	6	#7	25'-7"	—
p2(E)	4	#4	5'-11"	—
s2(E)	42	#4	11'-5"	□
s3(E)	7	#4	5'-5"	□
u(E)	8	#6	7'-5"	□
v1(E)	77	#5	4'-4"	—
v2(E)	16	#5	10'-8"	—
Concrete Structures		Cu. Yd.	17.7	
Reinforcement Bars, Epoxy Coated		Pound	1790	
Structure Excavation		Cu. Yd.		
Bar Splicers		Each	6	
Furnishing Steel Piles HP12x53		Feet	384	
Driving Steel Piles		Feet	384	
Test Pile, Steel HP12x53		Each	1	

Notes: Pour steps monolithically with cap.
Reinforcement bars designated (E) shall be epoxy coated.
All exposed concrete edges shall have a 3/4" x 45 deg. chamfer, except where shown otherwise. Chamfer on vertical edges shall be continued a minimum of 12" below finished ground level.
Place reinforcement in abutment to miss anchor bolts.

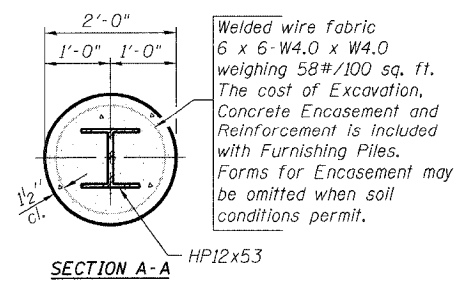
SOUTH ABUTMENT DETAILS
HUNT CLUB ROAD OVER
MILL CREEK
SECTION 00-00095-II-BR
LAKE COUNTY
STATION 116+60.00
STRUCTURE NO. 049-3072

PILE DATA

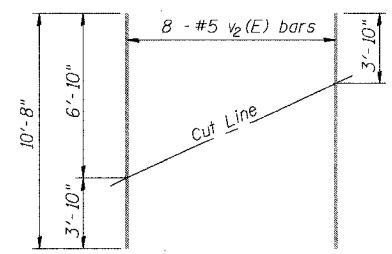
Type: HP12x53
Capacity: 65 Tons
Est. Length: 64 ft.
No. Required: 6 piles + 1 Test Pile



PLAN

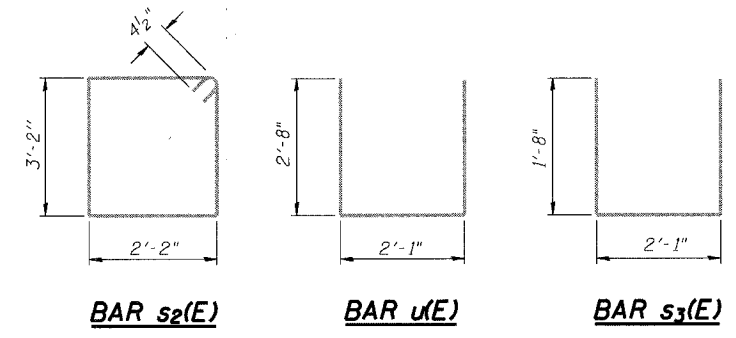


PILE ENCASEMENT DETAIL



FIELD CUTTING DIAGRAM

Order v2(E) Full length. Cut as shown and use remainder of bars in opposite face.



BAR s2(E) BAR u(E) BAR s3(E)