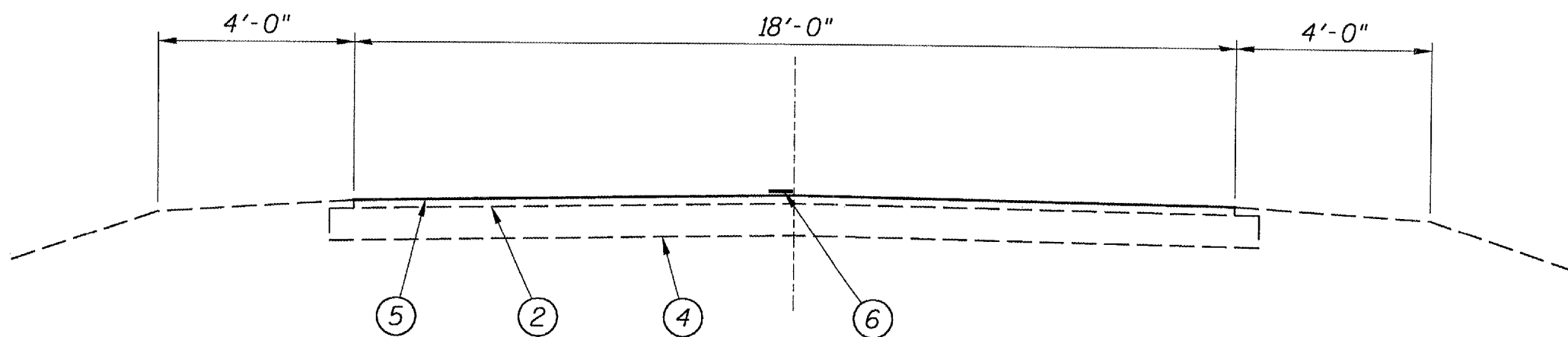


SECTION (68-5EFR)Q-2
 STATION 752+20.62 TO 842+12.89 - 18 FT
 STATION 874+84 TO 920+81.52 - 18 FT
 STATION EQ. 920+81.52bk = 912+33.94ah
 STATION 912+33.94 TO 1052+39.14 - 20 FT



SECTION (59-2WFR)Q-1
 STATION 98+84 TO 128+41.31

LEGEND

- 1 - EXIST. BITUMINOUS SURFACE TREATMENT, CLASS A-3
- 2 - EXIST. BITUMINOUS MIXTURE COMPLETE 2"
- 3 - EXIST. AGGREGATE BASE COURSE, TYPE A 7"
- 4 - EXIST. AGGREGATE BASE COURSE, TYPE A 8"
- 5 - PROP. BITUMINOUS SURFACE TREATMENT, CLASS A-1
- 6 - PROP. PAINT PAVEMENT MARKING - LINE 5"

TYPICAL SECTIONS
 FAI 55 5 5.100, FAI 55 5 21.550/
 (I-55WFR, I-55EFR)
 SECT. (59-2WFR)Q-1/(68-5EFR)Q-2
 MACOUPIN/MONTGOMERY COUNTY