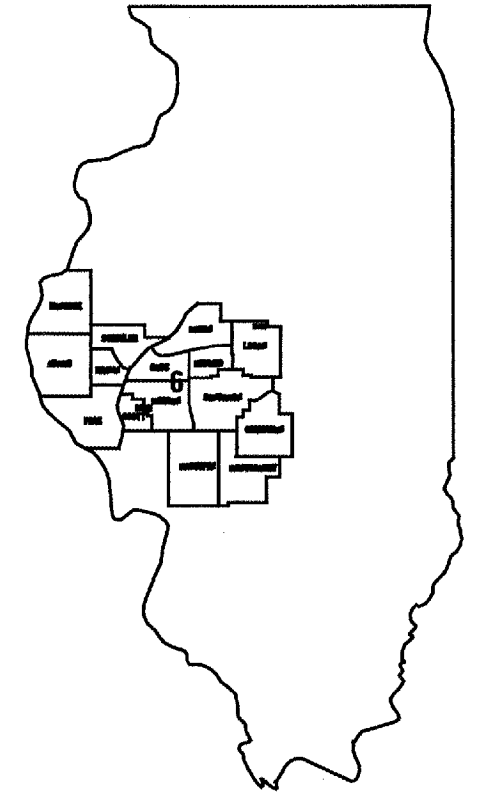


FOR INDEX OF SHEETS AND HIGHWAY STANDARDS, SEE SHEET 2.

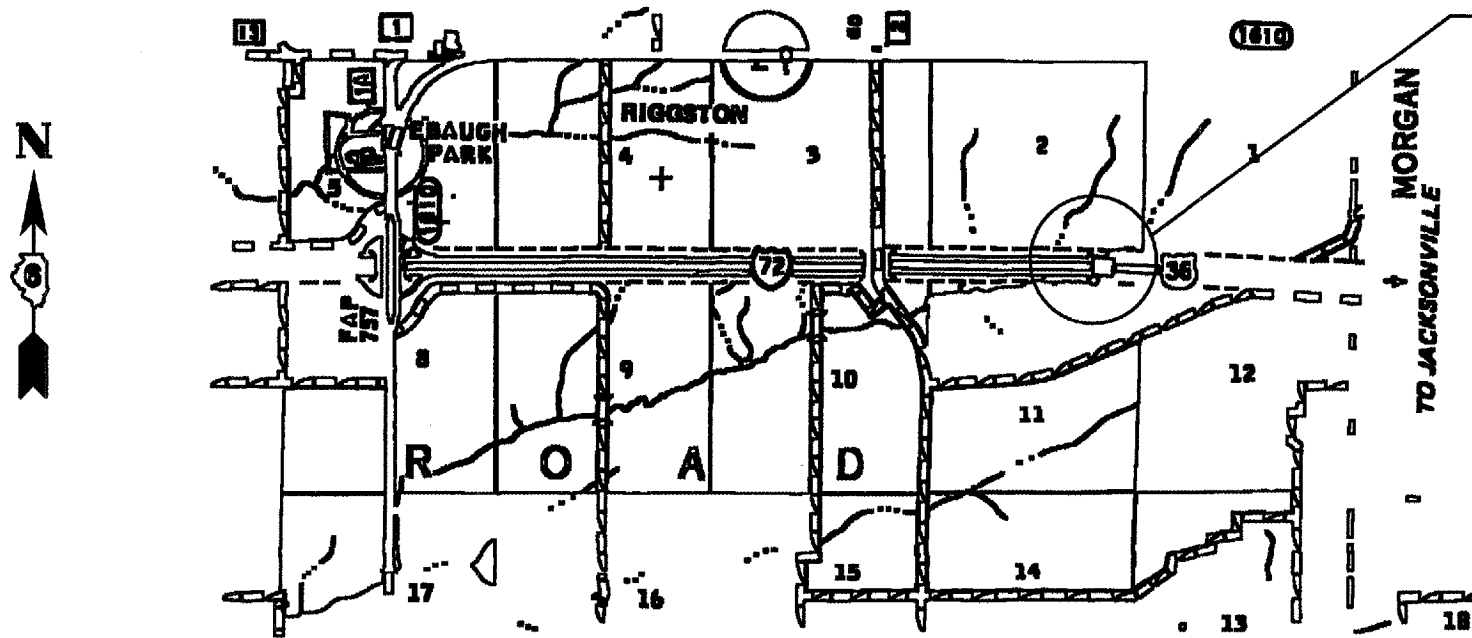
STATE OF ILLINOIS
DEPARTMENT OF TRANSPORTATION
DIVISION OF HIGHWAYS

**PLANS FOR PROPOSED
CONTRACT MAINTENANCE
FAI 72 OVER WALNUT CREEK (I-72)
SECTION (86-10B)I-1
SCOTT COUNTY
C96-023-05**

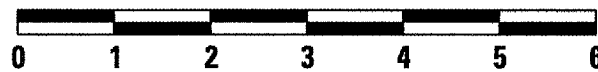


LOCATION OF SECTION INDICATED THUS:

SN 086-0024 WB
SN 086-0023 EB



NET LTH OF SEC 0.20 mi.



SCALE: 1" = 2 MILES

J. U. L. I. E.
JOINT UTILITY LOCATION INFORMATION FOR EXCAVATION
1-800-892-0123

DESIGN & PLANNING ENGINEER: CECIL DOWNING
BRIDGE INSPECTOR ENGINEER: DAVE COPENBARGER
PHONE: (217) 785-5306

CONTRACT NO. 72955

STATE OF ILLINOIS
DEPARTMENT OF TRANSPORTATION
DIVISION OF HIGHWAYS

SUBMITTED FEBRUARY 1 2005

Christ M. Reed
DISTRICT ENGINEER

March 25 2005

Mike Hine
ENGINEER OF DESIGN AND ENVIRONMENT

March 25 2005

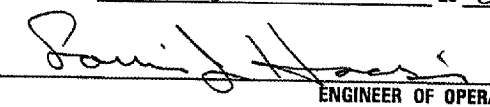

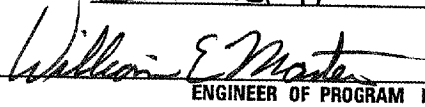
Victor Modler
DIRECTOR, DIVISION OF HIGHWAYS

INDEX

- 1 COVER
- 2 INDEX / STDS / SIGNATURES
- 3-4 QUANTITIES
- 5 QC/QA BIT / MIXTURE TABLES / SCHEDULES
- 6-8 TYPICAL SECTIONS
- 9-10 PAVING LOCATIONS/BUTT JOINT DETAILS
- 11 WIDTH RESTRICTION SIGNAGE
- 12 LANE CLOSURE STRIPING DETAIL
- 13-19 SN 086-0023, 0024 BRIDGE PLANS

STANDARDS

- 630301-03
- 701101-01
- 701106-01
- 701400-02
- 701402-05
- 701406-04
- 702001-05
- 780001-01

STATE OF ILLINOIS DEPARTMENT OF TRANSPORTATION DIVISION OF HIGHWAYS DISTRICT 6	
EXAMINED	Jan 31 20 05
 ENGINEER OF OPERATIONS	
EXAMINED	Jan 10 20 05
 ENGINEER OF PROGRAM IMPLEMENTATION	
EXAMINED	JANUARY 11 20 05
 ENGINEER OF PROGRAM DEVELOPMENT	

INDEX / STDS / SIGNATURES
FAI 72 (I-72)
SECTION (86-10B)I-1
SCOTT COUNTY

Rev.

SUMMARY OF QUANTITIES			SFTY-2A		
CODE NO.	ITEM	UNIT	100% STATE		
			TOTAL QTY	SN 086-0023	SN 086-0024
40600200	BITUMINOUS MATERIALS (PRIME COAT)	TON	1.6	0.8	0.8
40600300	AGGREGATE (PRIME COAT)	TON	2	1	1
40600990	TEMPORARY RAMP	SQ YDS	73.4	36.7	36.7
44000006	BITUMINOUS SURFACE REMOVAL, 1 1/2"	SQ YDS	786	393	393
44000910	BITUMINOUS CONCRETE REMOVAL (DECK)	SQ YDS	942	471	471
44001430	BITUMINOUS SHOULDER REMOVAL	SQ YDS	3412	1706	1706
48101200	AGGREGATE SHOULDERS, TYPE B	TONS	44	22	22
48202000	BITUMINOUS SHOULDER SUPERPAVE	TONS	16	8	8
48202800	BITUMINOUS SHOULDER SUPERPAVE, 10"	SQ YDS	3412	1706	1706
50300260	BRIDGE DECK GROOVING	SQ YDS	892	446	446
50300530	FLOOR DRAIN EXTENSIONS	EACH	10	5	5
60260100	INLETS TO BE ADJUSTED	EACH	2	1	1
67000400	ENGINEER'S FIELD OFFICE, TYPE A	CAL MO	3	1.5	1.5
67100100	MOBILIZATION	L SUM	1	1	1
70100305	TRAFFIC CONTROL AND PROTECTION, STANDARD 701400	L SUM	1	0.5	0.5
70100405	TRAFFIC CONTROL AND PROTECTION, STANDARD 701402	L SUM	1	0.5	0.5
70100700	TRAFFIC CONTROL AND PROTECTION, STANDARD 701406	L SUM	1	0.5	0.5

Rev.

QUANTITIES
 FAI 72 (I-72)
 SECTION (86-10B)I-1
 SCOTT COUNTY

S U M M A R Y O F Q U A N T I T I E S

SFTY-2A

CODE NO.	ITEM	UNIT	100% STATE		
			TOTAL QTY	SN 086-0023	SN 086-0024
70300530	PAVEMENT MARKING TAPE, TYPE III, 5 IN	FEET	4040	2020	2020
70301000	WORK ZONE PAVEMENT MARKING REMOVAL	SQ FT	1684	842	842
* 78000300	THERMOPLASTIC PAVEMENT MARKING - LINE 5"	FEET	4174	2087	2087
78300100	PAVEMENT MARKING REMOVAL	SQ FT	1684	842	842
X0320887	POLYMER CONCRETE	CU FT	12.4	6.2	6.2
X0321468	PLUG EXISTING DECK DRAINS	EACH	18	9	9
X0321744	SILICONE JOINT SEALER 2"	FEET	178	89	89
X0324401	PORTABLE TEMPORARY BARRIER SYSTEM, TL-3	FEET	600	300	300
X0324402	RELOCATE PORTABLE TEMPORARY BARRIER SYSTEM, TL-3	FEET	600	300	300
X4066414	BITUMINOUS CONCRETE SURFACE COURSE, SUPERPAVE, MIX "C", N50	TONS	50	25	25
XZ191200	BRIDGE DECK MICROSILICA CONCRETE OVERLAY 2½"	SQ YDS	942	471	471
Z0006201	BRIDGE DECK HYDRO-SCARIFIATION 1"	SQ YDS	942	471	471
Z0015595	DECK DRAIN EXTENSIONS	EACH	18	9	9
Z0016001	DECK SLAB REPAIR (FULL DEPTH, TYPE I)	SQ YDS	7.52	3.98	3.54
Z0016002	DECK SLAB REPAIR (FULL DEPTH, TYPE II)	SQ YDS	12.01	5.12	6.89

* SPECIALTY ITEMS

Rev.

QUANTITIES
 FAI 72 (I-72)
 SECTION (86-10B)I-1
 SCOTT COUNTY

BIT CON SURF CRSE, SUPER MIX "C", N50

SN 086-0023

STA 198+94.90 TO STA 199+44.90

STA 200+54.90 TO STA 201+04.90

SN 086-0024

STA 198+94.90 TO STA 199+44.90

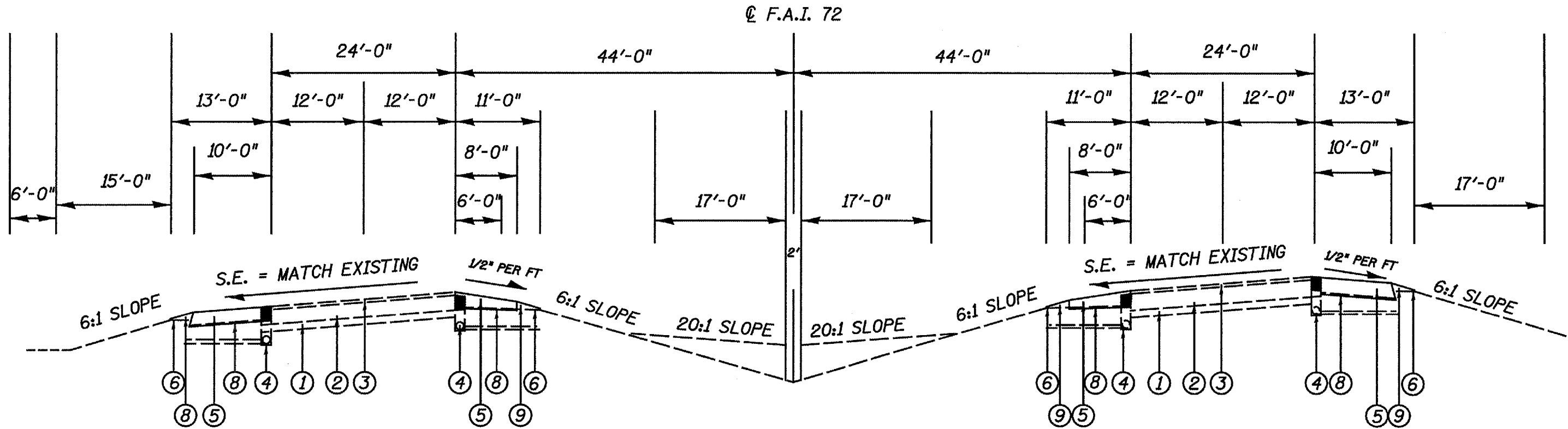
STA 200+54.90 TO STA 201+04.90

C O N V E R S I O N F A C T O R S		
BITUMINOUS CONCRETE SURFACE COURSE, SUPERPAVE, MIX C, N50	0.056 TON/SQ YD/IN	TONS

M I X T U R E R E Q U I R E M E N T S			
THE FOLLOWING MIXTURE REQUIREMENTS ARE APPLICABLE FOR THIS PROJECT			
MIXTURE USE(S):	BC SC SUPER "C" N50	BIT SHLDR SUPER	BIT SHLDR SUPER 10" *
AC/PG	PG 64-22	PG 64-22	PG 64-22
RAP %: (MAX)	15%	15%	20%
DESIGN AIR VOIDS:	4% • N DESIGN = 50	4% • N DESIGN = 50	2% • N DESIGN = 50

* NOTE: THE TOP 1 1/2" OF BIT SHLDR SUPER 10" SHALL
 BE PLACED USING THE MIX DESIGN SPECIFIED FOR
 THE BIT SHLDR SUPER TON ITEM

CONVERSION & MIXTURE TABLES
 FAI 72 OVER WALNUT CREEK
 SECTION (86-10B)I-1
 SCOTT COUNTY



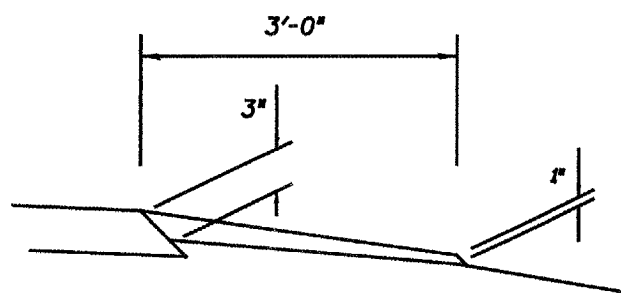
TYPICAL SUPERELEVATED SECTION

EB STA 192+44.90 TO EB STA 198+89.30
 EB STA 201+10.50 TO EB STA 202+54.90

WB STA 197+44.90 TO WB STA 198+89.30
 WB STA 201+10.50 TO WB STA 207+54.90

LEGEND

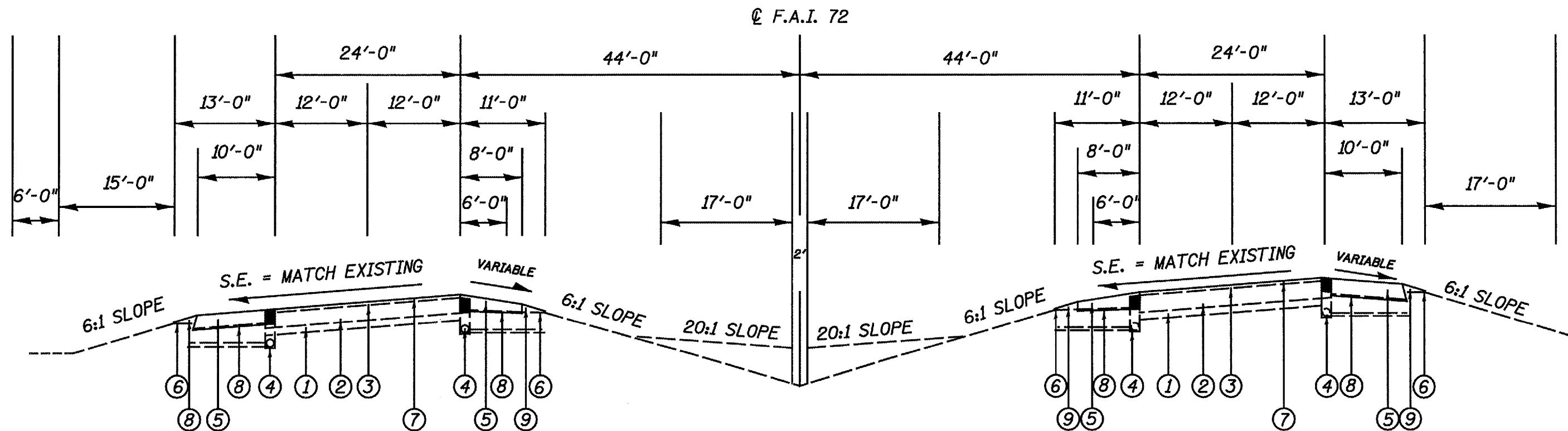
- ① EXISTING STABILIZED SUB-GRADE BASE
- ② EXISTING CONTINUOUSLY REINFORCED P.C.C. PAVEMENT
- ③ EXISTING BITUMINOUS CONCRETE, 2 1/2"
- ④ EXISTING PIPE UNDERDRAIN
- ⑤ EXISTING BITUMINOUS SHOULDER, 9 1/2"
- ⑥ EXISTING AGGREGATE SHOULDER, TYPE B
- ⑦ PROPOSED BITUMINOUS CONCRETE SURFACE, 1 1/2"
- ⑧ PROPOSED BITUMINOUS SHOULDER, 10"
- ⑨ PROPOSED AGGREGATE SHOULDER, TYPE B
- ⑩ EXISTING PCC APPROACH PAVEMENT
- ⑪ PROPOSED BITUMINOUS SHOULDER, SUPERPAVE



AGG SHOULDER DETAIL

SN 086-0023, 0024

TYPICAL CROSS SECTION
 FAI 72 (I-72)
 SECTION (86-10B)I-1
 SCOTT COUNTY



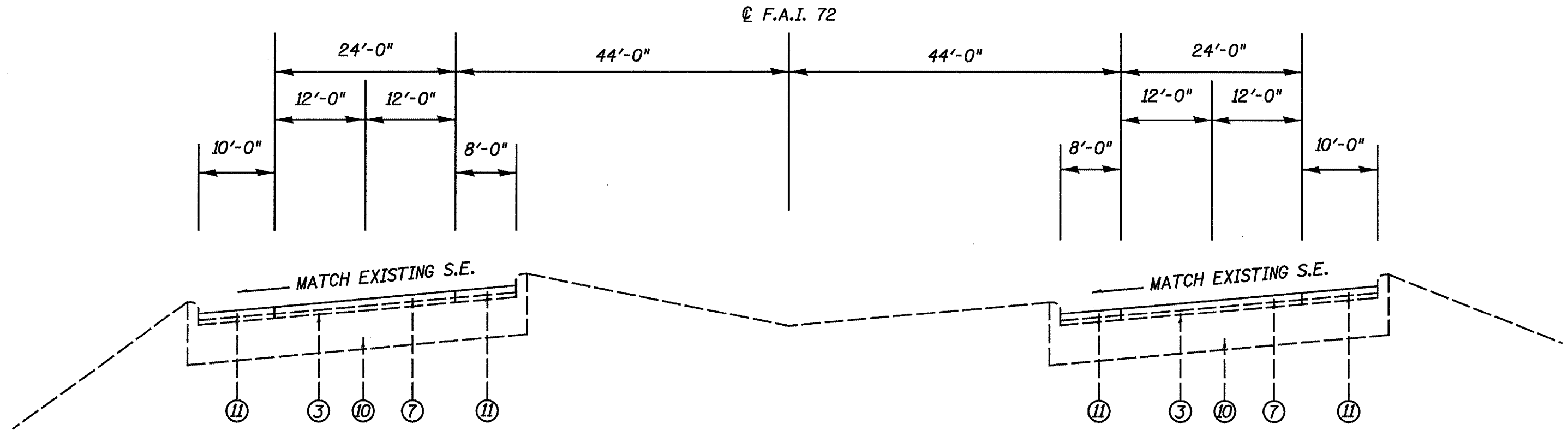
TYPICAL SUPERELEVATED SECTION
 STA 198+89.30 TO STA 199+20.90
 STA 200+78.90 TO STA 201+10.50

LEGEND

- | | | | |
|---|--|---|--|
| ① | EXISTING STABILIZED SUB-GRADE BASE | ⑥ | EXISTING AGGREGATE SHOULDER, TYPE B |
| ② | EXISTING CONTINUOUSLY REINFORCED P.C.C. PAVEMENT | ⑦ | PROPOSED BITUMINOUS CONCRETE SURFACE, 1 1/2" |
| ③ | EXISTING BITUMINOUS CONCRETE, 2 1/2" | ⑧ | PROPOSED BITUMINOUS SHOULDER, 10" |
| ④ | EXISTING PIPE UNDERDRAIN | ⑨ | PROPOSED AGGREGATE SHOULDER, TYPE B |
| ⑤ | EXISTING BITUMINOUS SHOULDER, 9 1/2" | ⑩ | EXISTING PCC APPROACH PAVEMENT |
| | | ⑪ | PROPOSED BITUMINOUS SHOULDER, SUPERPAVE |

SN 086-0023, 0024

TYPICAL CROSS SECTION
 FAI 72 (I-72)
 SECTION (86-10B)I-1
 SCOTT COUNTY



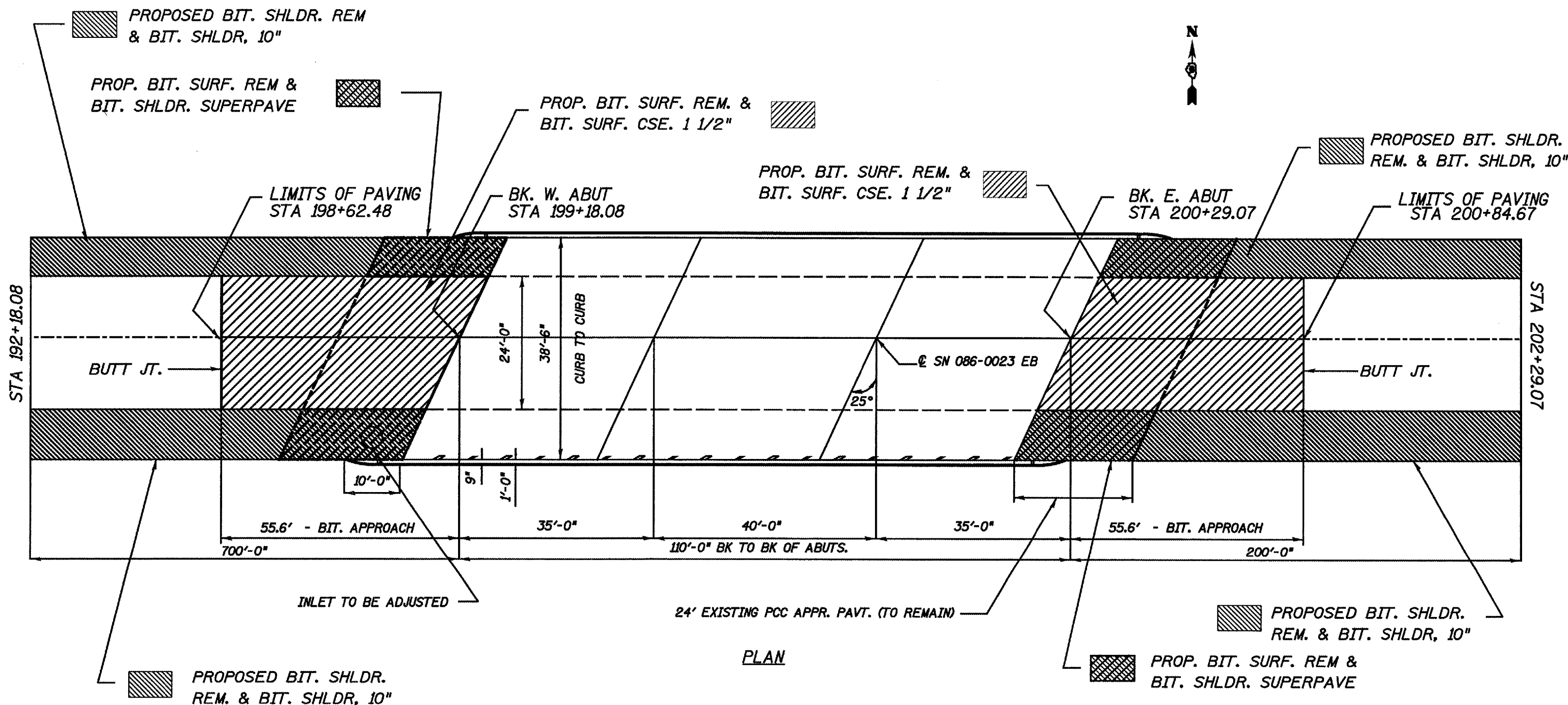
TYPICAL SUPERELEVATED SECTION
 STA 199+20.90 TO STA 199+44.90
 STA 200+54.90 TO STA 200+78.90

LEGEND

- | | |
|--|--|
| ① EXISTING STABILIZED SUB-GRADE BASE | ⑥ EXISTING AGGREGATE SHOULDER, TYPE B |
| ② EXISTING CONTINUOUSLY REINFORCED P.C.C. PAVEMENT | ⑦ PROPOSED BITUMINOUS CONCRETE SURFACE, 1 1/2" |
| ③ EXISTING BITUMINOUS CONCRETE, 2 1/2" | ⑧ PROPOSED BITUMINOUS SHOULDER, 10" |
| ④ EXISTING PIPE UNDERDRAIN | ⑨ PROPOSED AGGREGATE SHOULDER, TYPE B |
| ⑤ EXISTING BITUMINOUS SHOULDER, 9 1/2" | ⑩ EXISTING PCC APPROACH PAVEMENT |
| | ⑪ PROPOSED BITUMINOUS SHOULDER, SUPERPAVE |

SN 086-0023, 0024

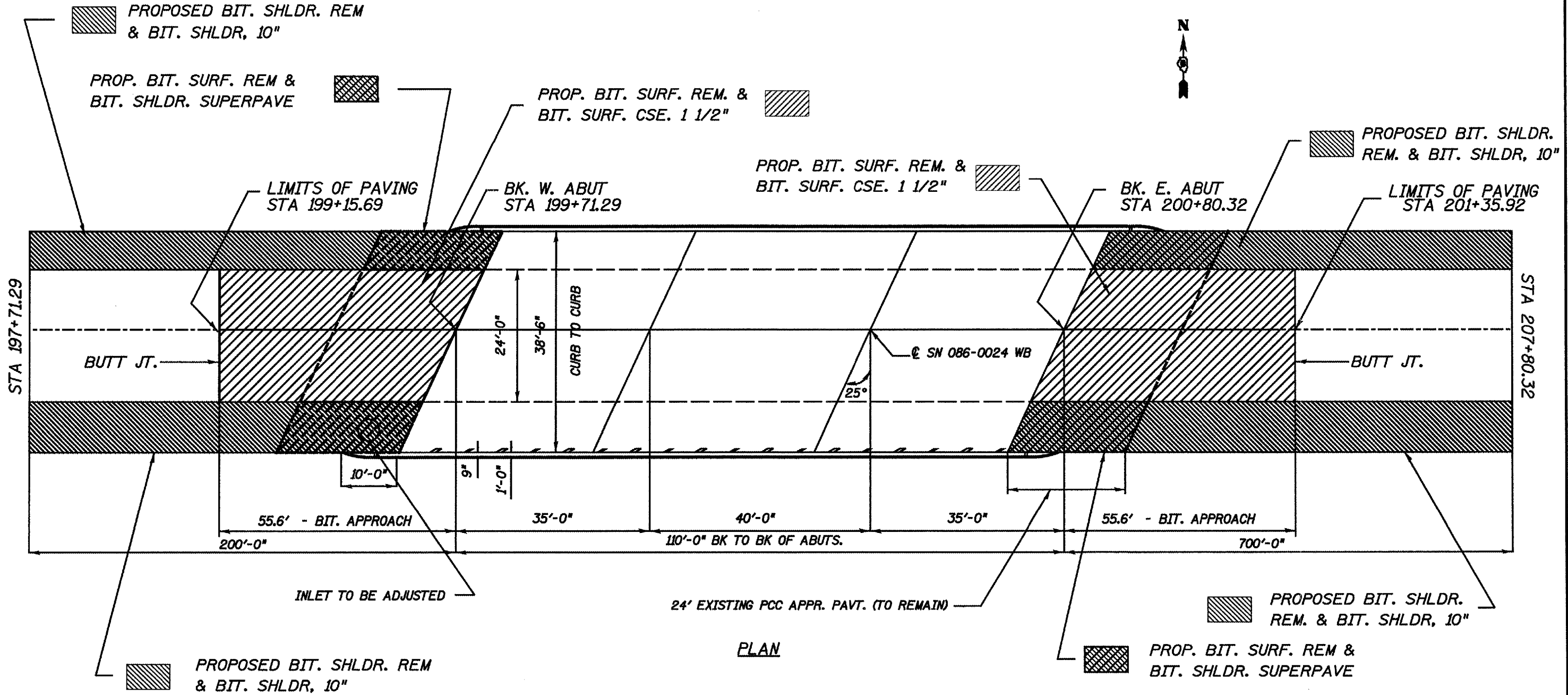
TYPICAL CROSS SECTION
 FAI 72 (I-72)
 SECTION (86-10B)I-1
 SCOTT COUNTY



PLAN

NOTE:
 ALL INLETS TO BE ADJUSTED TO PROPOSED GRADE

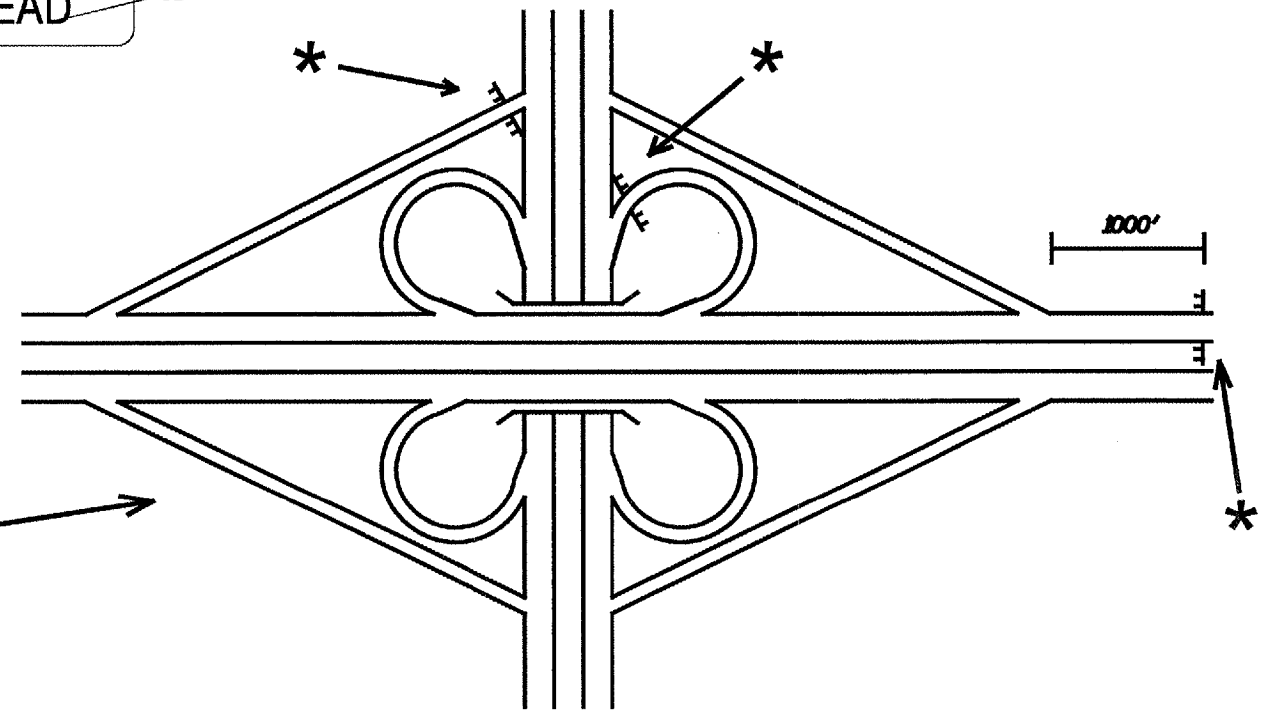
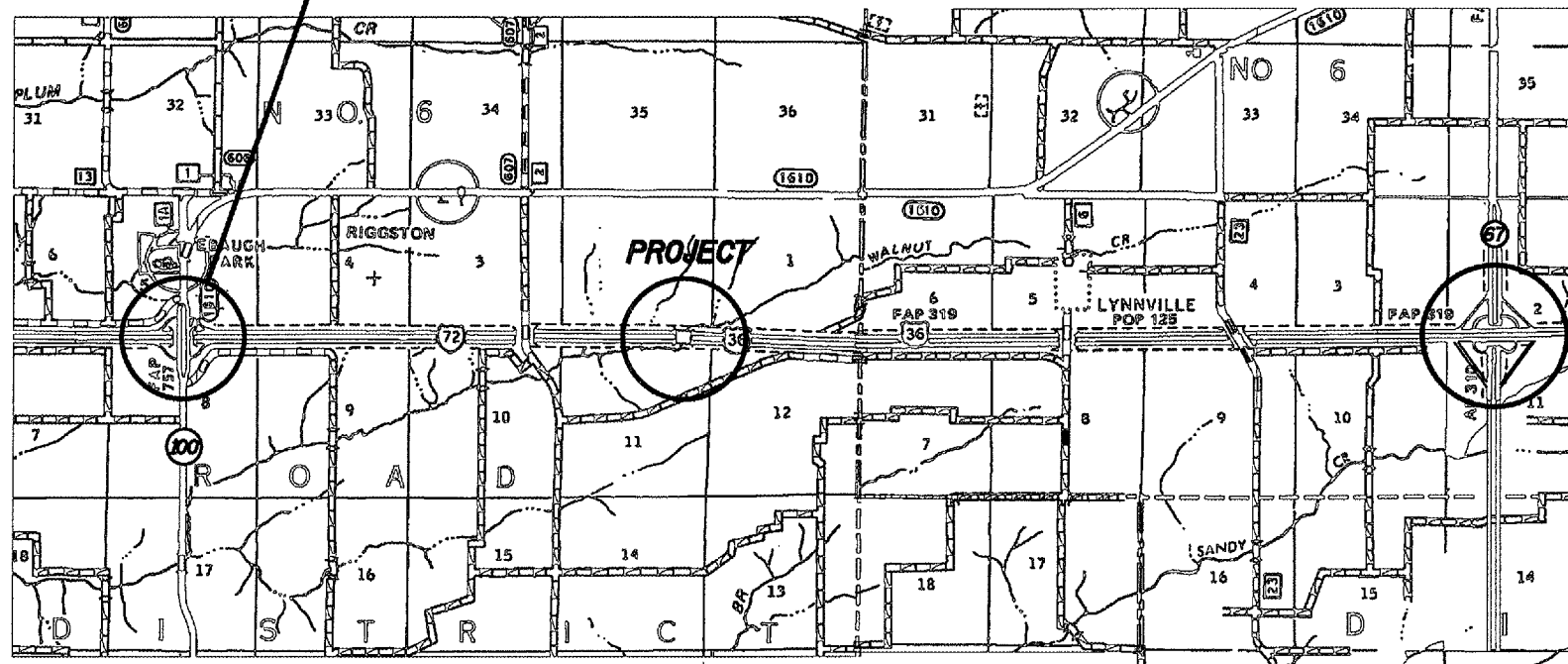
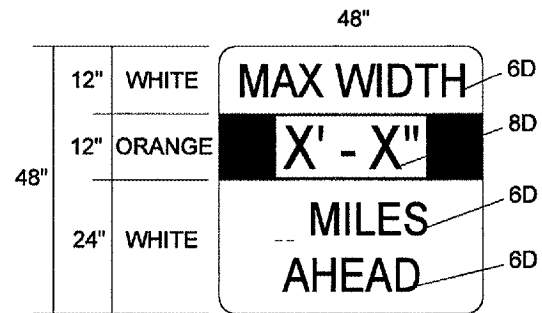
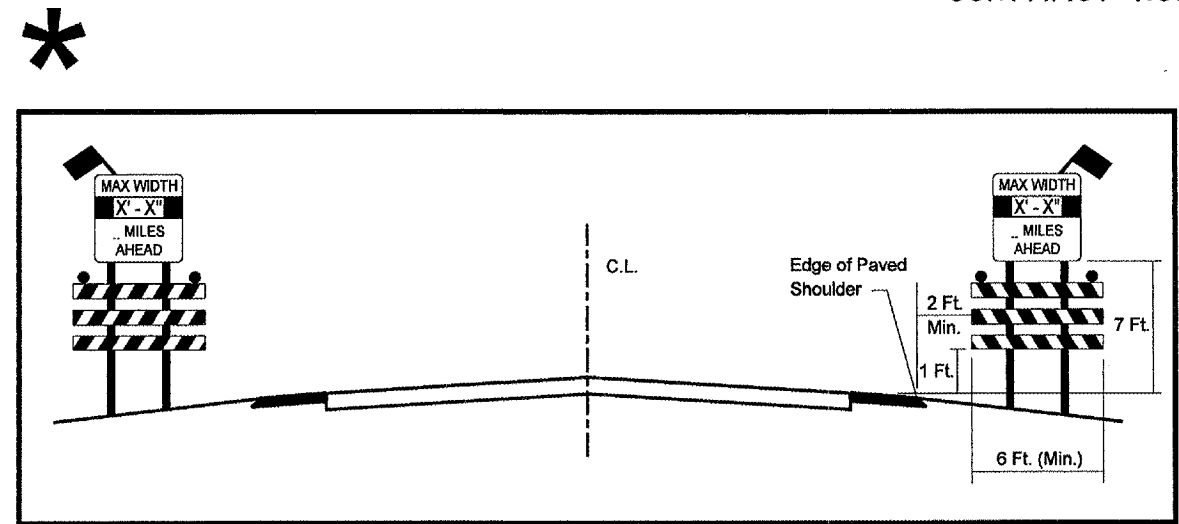
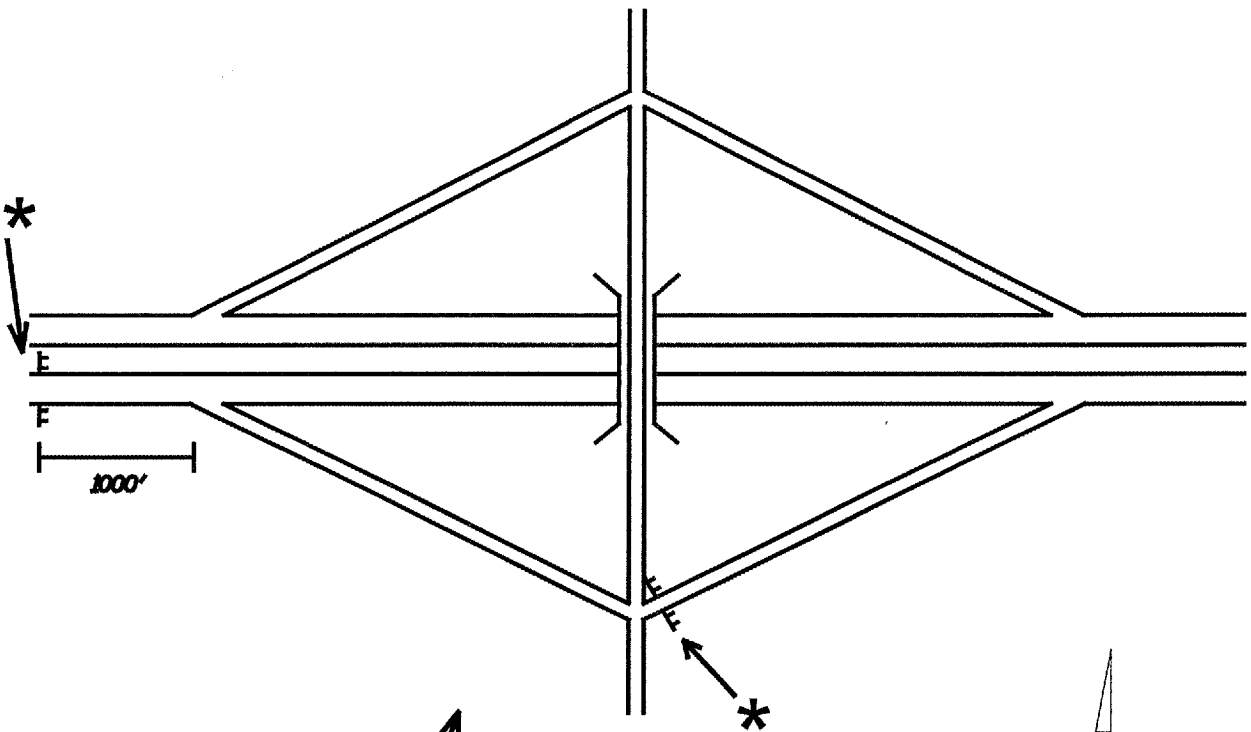
SN 086-0023 EB
 NOT TO SCALE
 PAVING DETAILS
 FAI 72 OVER WALNUT CREEK
 SECTION (86-10B)I-1
 SCOTT COUNTY



PLAN

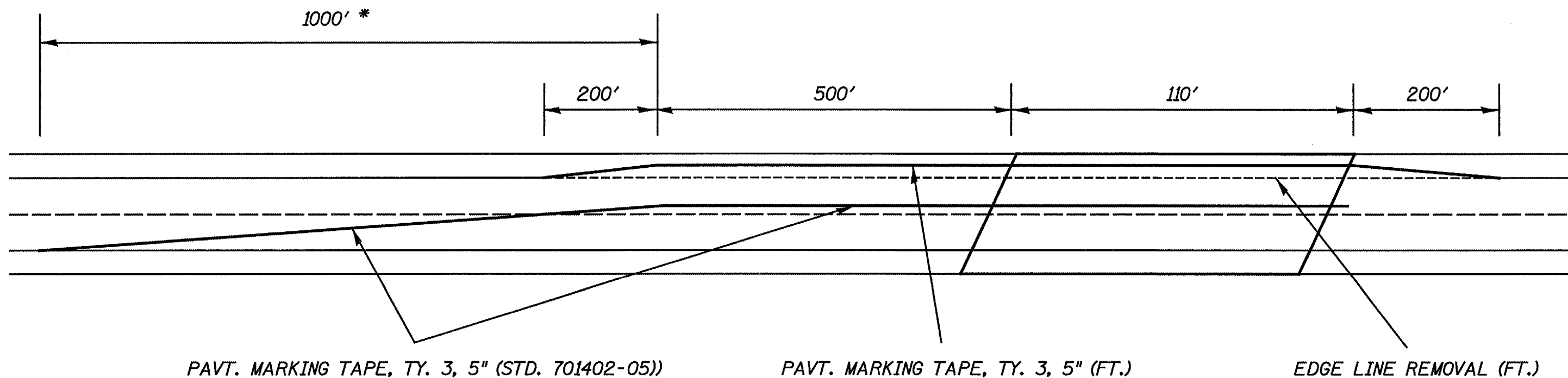
NOTE:
 ALL INLETS TO BE ADJUSTED TO PROPOSED GRADE

SN 086-0024 WB
 NOT TO SCALE
 PAVING DETAILS
 FAI 72 OVER WALNUT CREEK
 SECTION (86-10B)I-1
 SCOTT COUNTY



WIDTH RESTRICTION SIGNAGE
 FAI 72 OVER WALNUT CREEK
 SECTION (86-10B)I-1
 SCOTT COUNTY

TYPICAL LANE CLOSURE



NOTE:

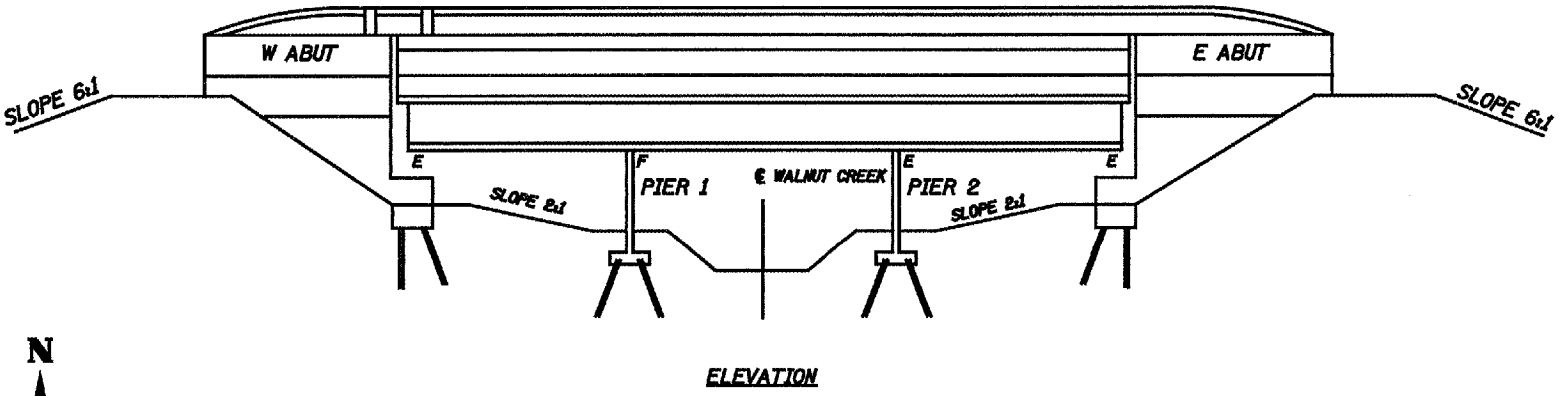
CENTERLINE AND CENTERLINE TAPER ARE PAID FOR UNDER STD. 701402-05. EDGE LINE REMOVAL IS PAID FOR AS PAVEMENT MARKING REMOVAL. TAPE PLACED TO RELOCATE EDGE LINE IS PAID FOR AS PAVT. MARKING TAPE, TY. 3, 5".

* NOTE:

FIRST 1000' OF CENTERLINE SKIP DASH SHALL BE COVERED WITH BLACKOUT TAPE AND UNCOVERED AFTER PROJECT COMPLETION. THIS SHALL BE PAID FOR UNDER STD. 701402-05.

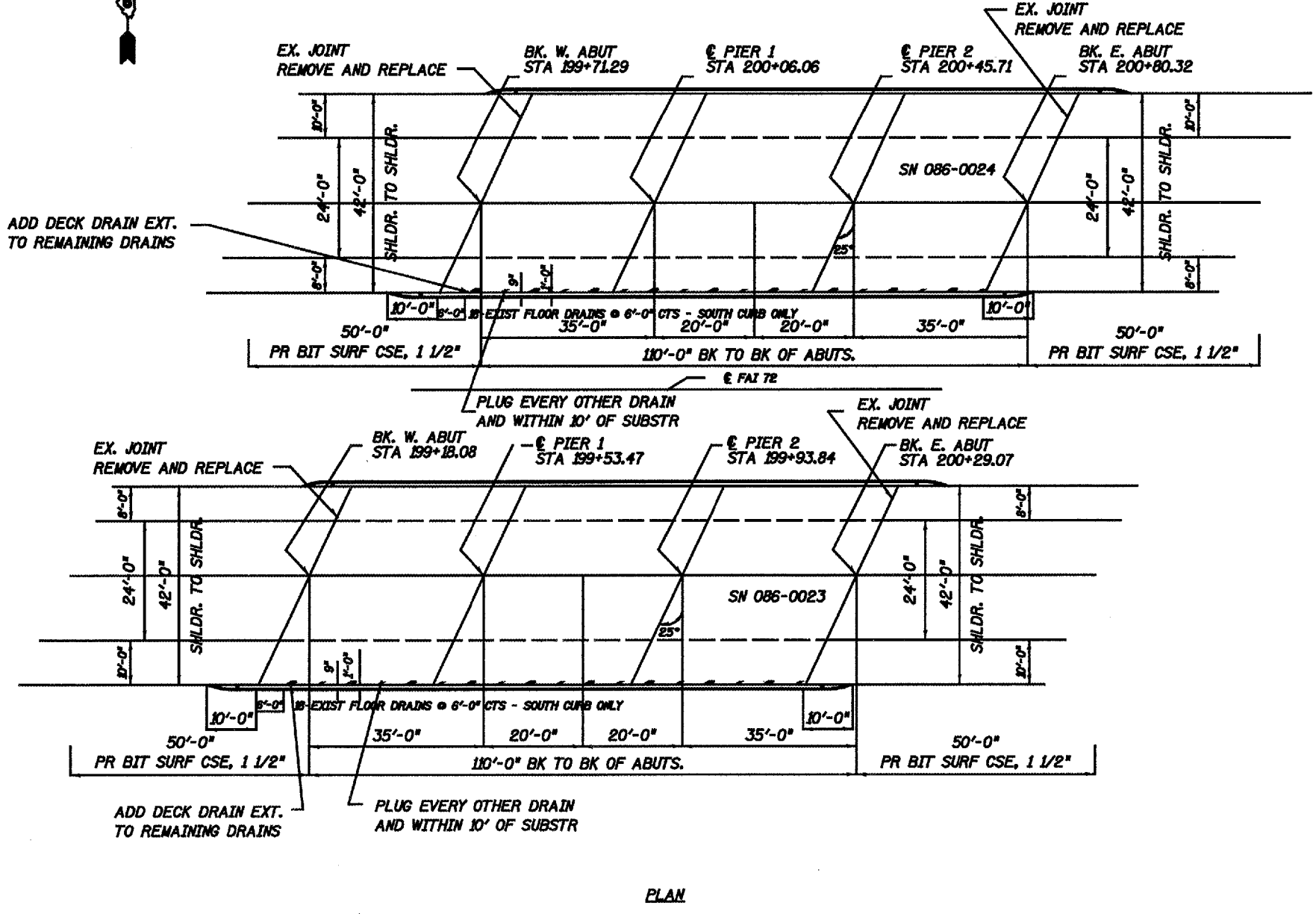
NOT TO SCALE

LANE CLOSURE STRIPING DETAIL
 FAI 72 OVER WALNUT CREEK
 SECTION (86-10B)I-1
 SCOTT COUNTY



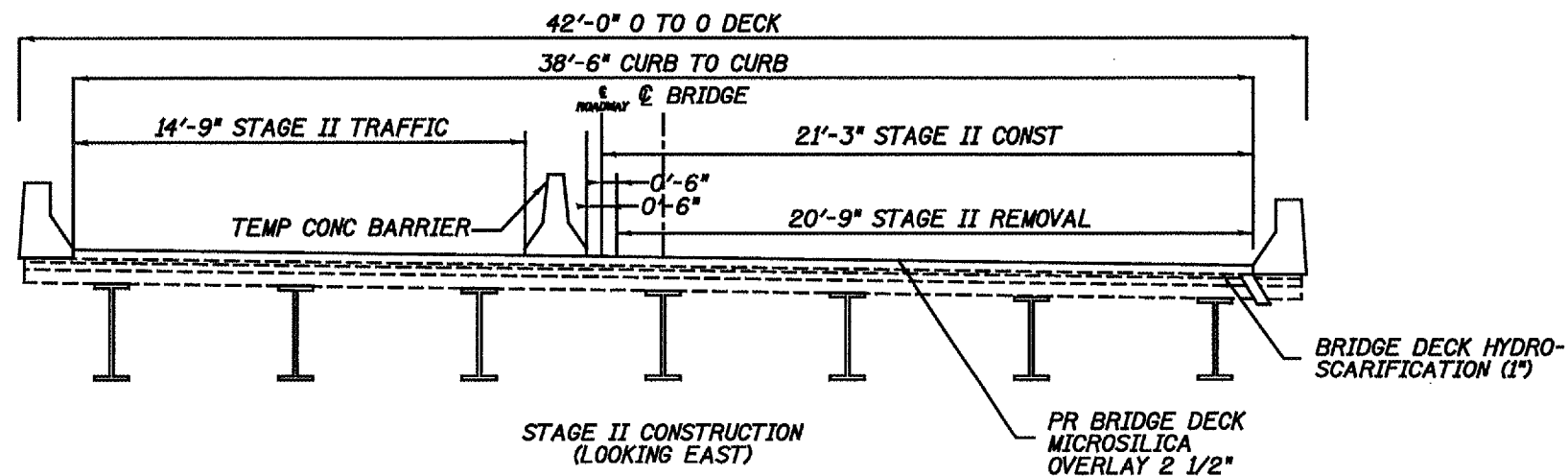
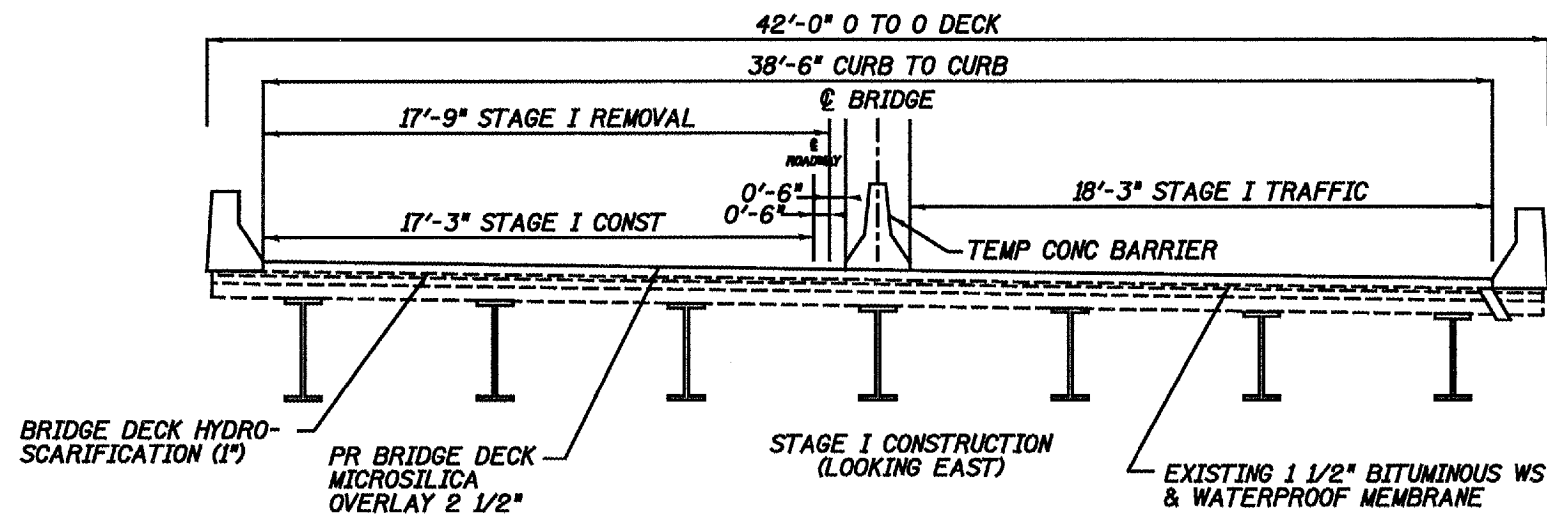
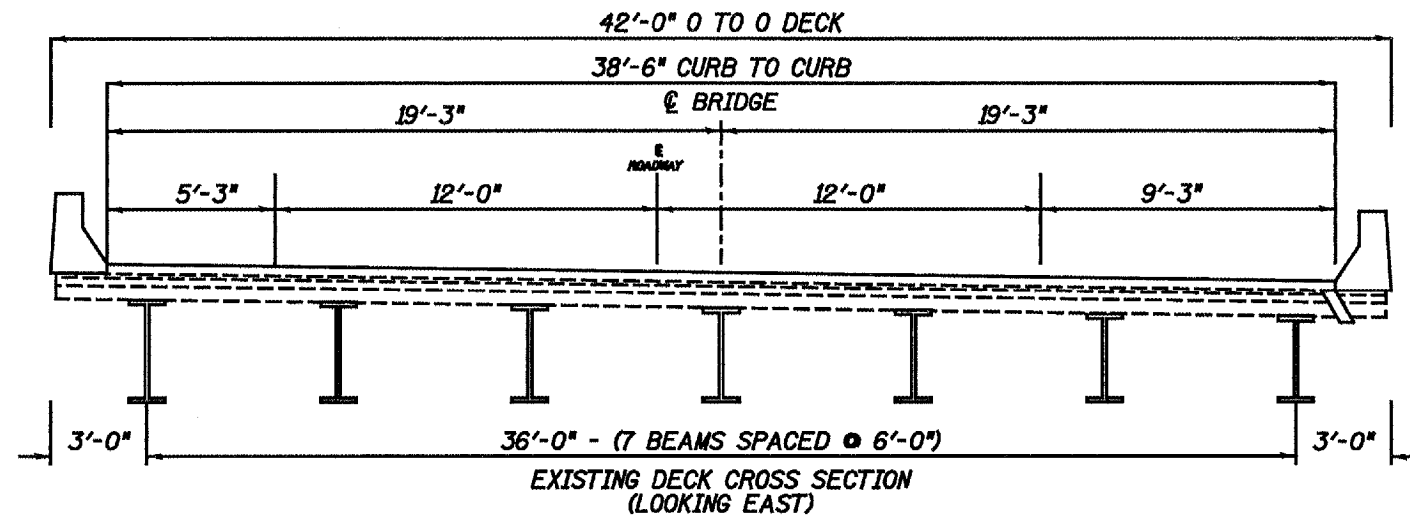
GENERAL NOTES

PLAN DIMENSIONS AND DETAILS RELATIVE TO THE EXISTING STRUCTURE HAVE BEEN TAKEN FROM EXISTING PLANS AND ARE SUBJECT TO NOMINAL CONSTRUCTION VARIATIONS. IT SHALL BE THE CONTRACTOR'S RESPONSIBILITY TO VERIFY SUCH DIMENSIONS AND DETAILS IN THE FIELD AND TO MAKE NECESSARY APPROVED ADJUSTMENTS PRIOR TO CONSTRUCTION OR ORDERING MATERIALS. SUCH VARIATIONS SHALL NOT BE CAUSE FOR ADDITIONAL COMPENSATION OR A CHANGE IN SCOPE OF WORK, HOWEVER, THE CONTRACTOR WILL BE PAID FOR THE QUANTITY ACTUALLY FURNISHED AT THE UNIT BID PRICE FOR THE WORK.

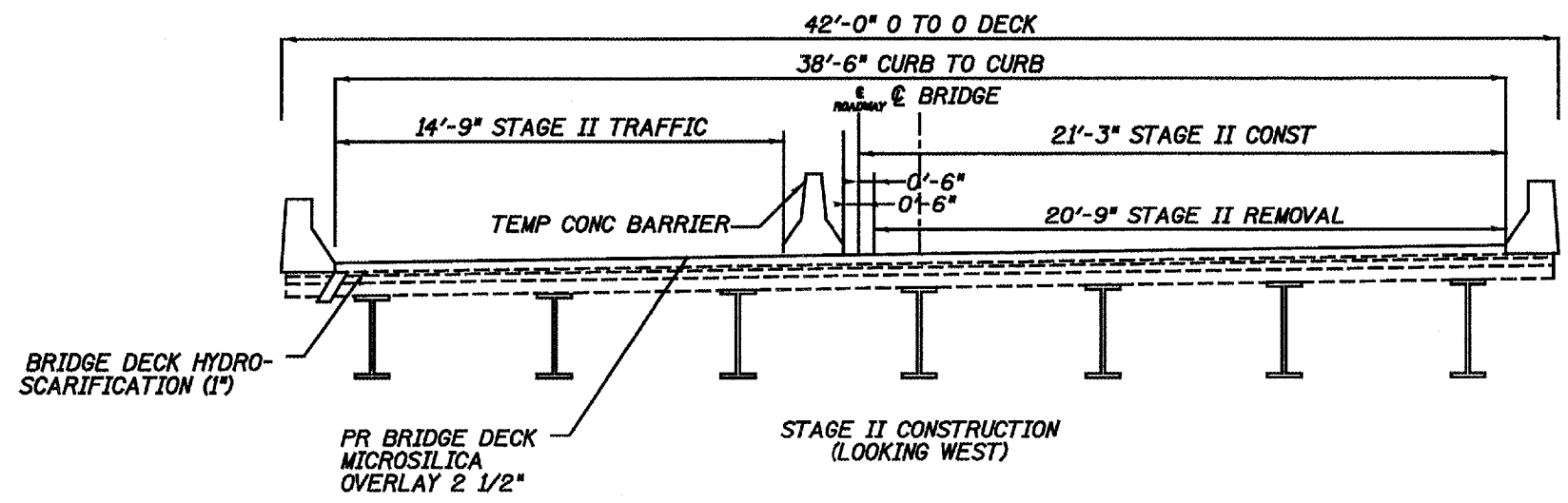
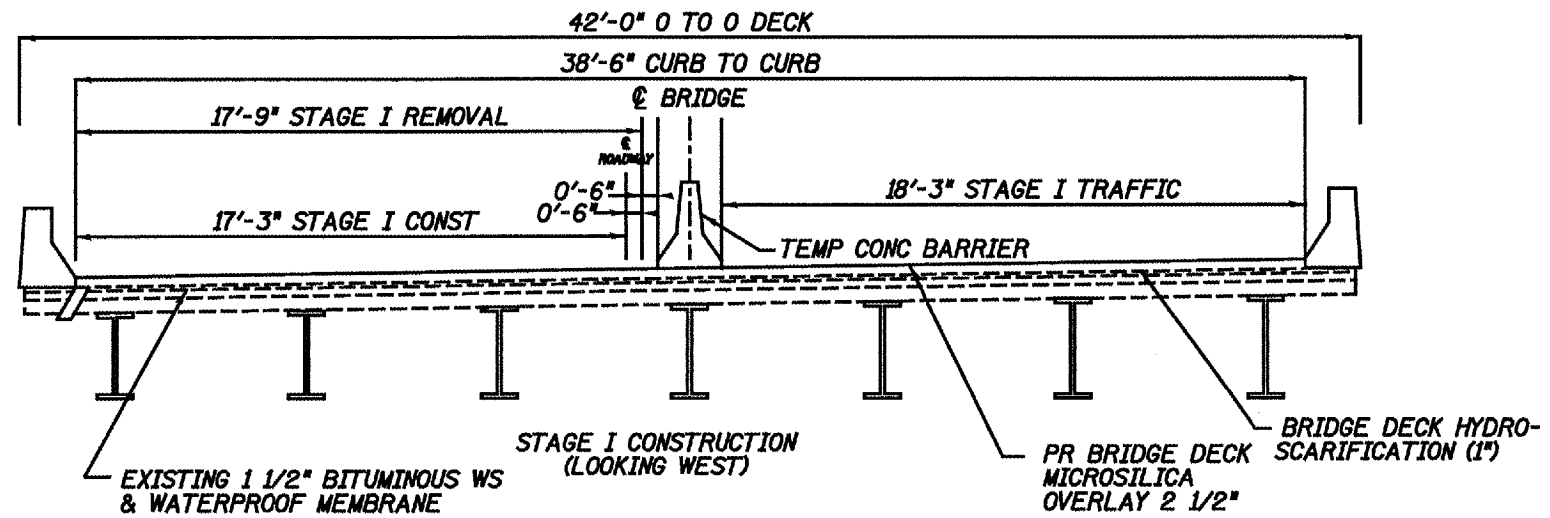
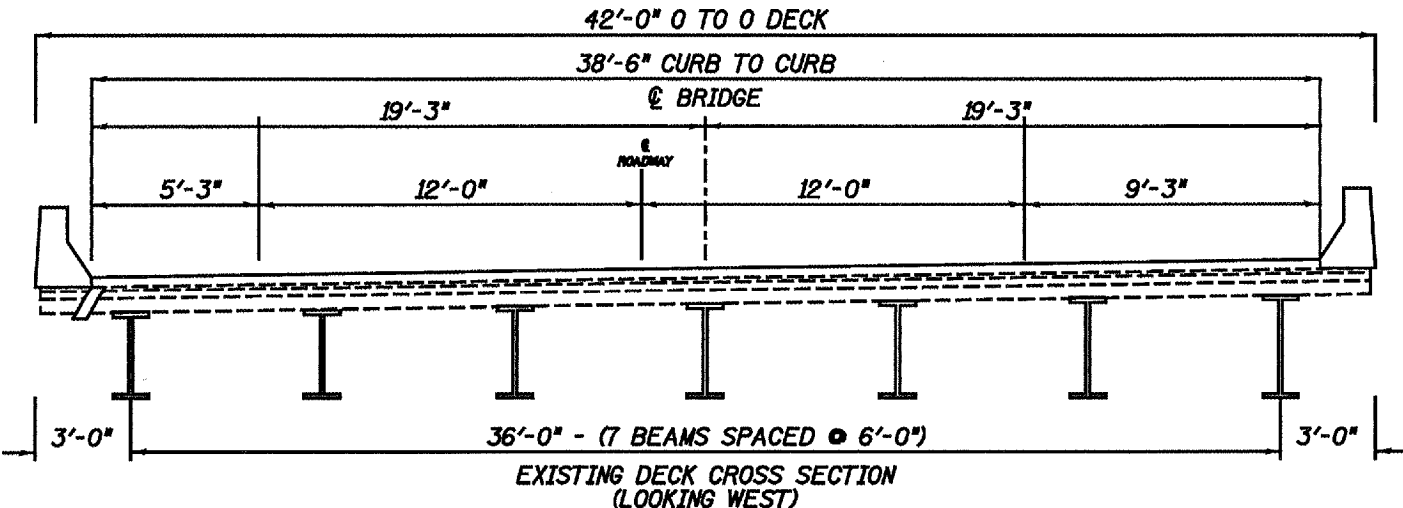


TOTAL BILL OF MATERIAL		
ITEM	UNIT	TOTAL
BITUMINOUS CONCRETE REMOVAL (DECK)	SQ YD	942
BRIDGE DECK HYDRO-SCARIFICATION - 1"	SQ YD	942
BRIDGE DECK MICROSILICA CONCRETE OVERLAY - 2 1/2"	SQ YD	942
BRIDGE DECK GROOVING	SQ YD	892
POLYMER CONCRETE	CU FT	12.4
SILICONE JOINT SEALER - 2"	FOOT	178
DECK SLAB REPAIR (FULL DEPTH, TYPE I)	SQ YD	7.52
DECK SLAB REPAIR, (FULL DEPTH, TYPE II)	SQ YD	12.01
FLOOR DRAIN EXTENSION	EACH	18
PLUG EXISTING DECK DRAINS	EACH	18

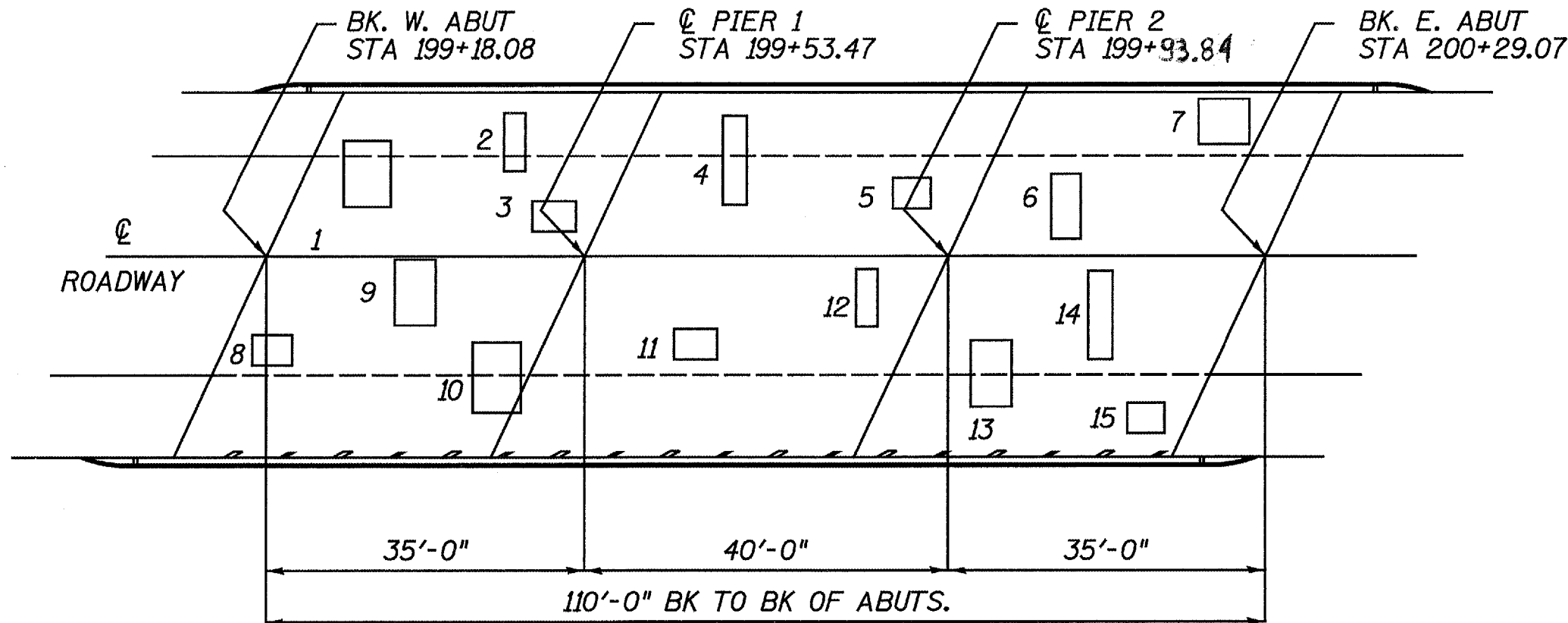
SN 086-0023, 0024
 GENERAL PLAN AND ELEVATION
 FAI 72 OVER WALNUT CREEK
 SECTION (86-10B)I-1
 SCOTT COUNTY



SN 086-0023 EB
 STAGE CONSTRUCTION
 FAI 72 OVER WALNUT CREEK
 SECTION (86-10B)I-1
 SCOTT COUNTY



SN 086-0024 WB
 STAGE CONSTRUCTION
 FAI 72 OVER WALNUT CREEK
 SECTION (86-10B)I-1
 SCOTT COUNTY



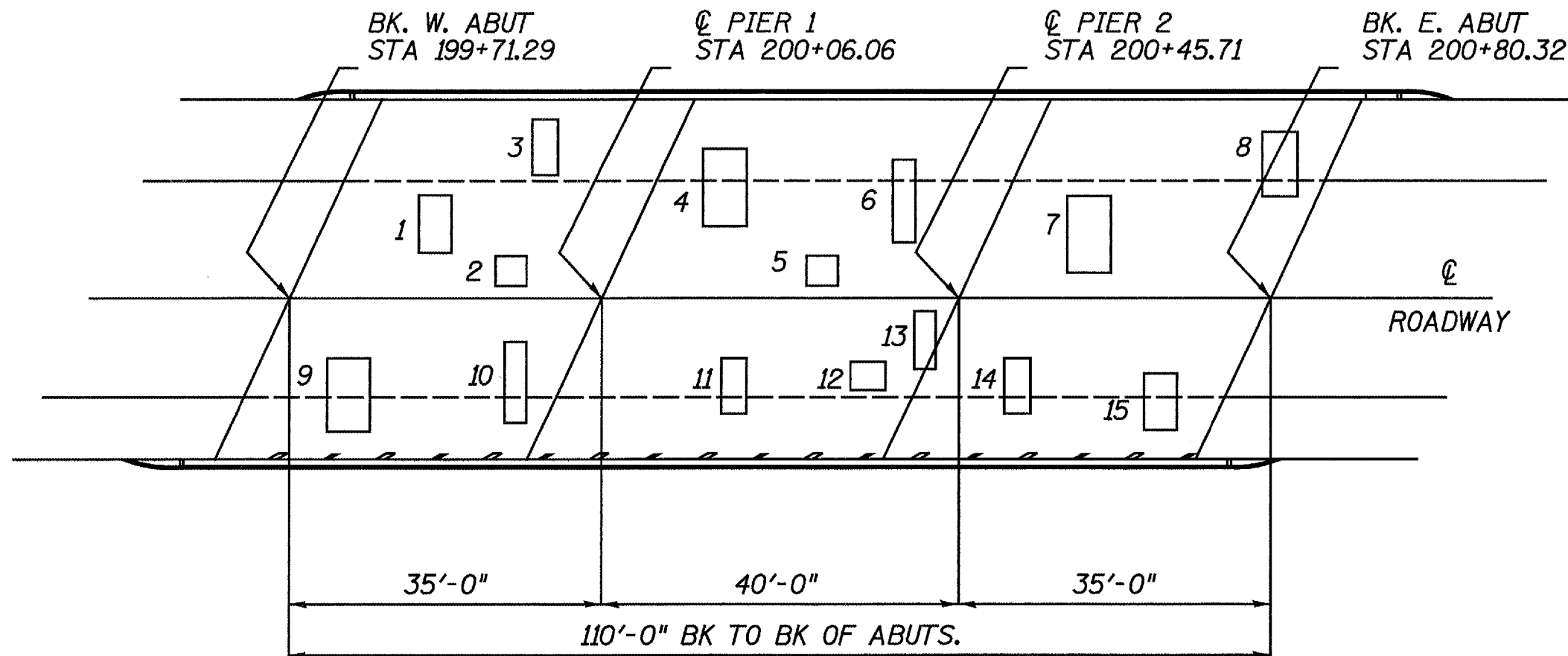
DECK SLAB REPAIR DETAIL
(FULL DEPTH TYPE I & II) - SN 086-0023

PATCH NO.	TYPE I SIZE (FT)	SQ. YD.	PATCH NO.	TYPE 2 SIZE (FT)	SQ. YD.
2	1 X 3	0.33	1	2 X 4	0.89
3	2 X 2	0.44	6	2 X 3	0.67
4	1 X 5	0.56	7	3 X 2	0.67
5	2 X 2	0.44	9	2 X 4	0.89
8	2 X 2	0.44	10	3 X 4	1.33
11	2 X 2	0.44	13	2 X 3	0.67
12	1 X 3	0.33	TYPE II TOTAL		5.12
14	1 X 5	0.56			
15	2 X 2	0.44			
TYPE I TOTAL		3.98			

NOTE:
AREAS OF DECK REPAIRS SHOWN ARE ESTIMATED.
THE ENGINEER SHALL SHOW ACTUAL LOCATIONS
OF DECK REPAIRS ON AS-BUILT PLANS.

DATE OF SURVEY: 12/2004

SN 086-0023 EB
DECK SLAB REPAIR
FAI 72 OVER WALNUT CREEK
SECTION (86-10B)I-1
SCOTT COUNTY



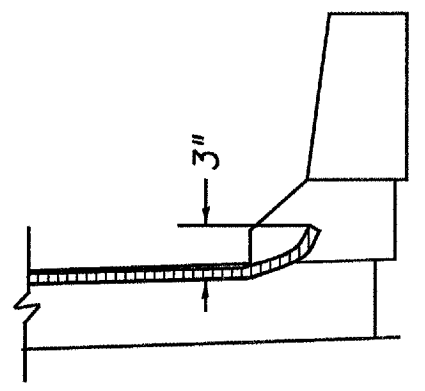
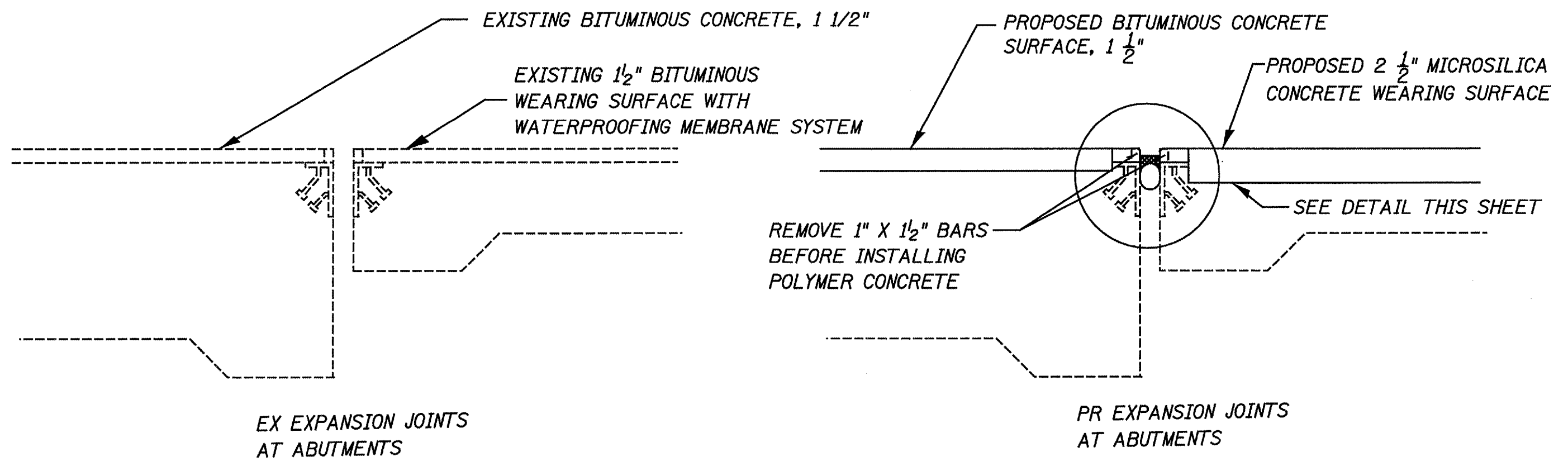
DECK SLAB REPAIR DETAIL
 (FULL DEPTH TYPE I & II) - SN 086-0024

PATCH NO.	TYPE I SIZE (FT)	SQ. YD.	PATCH NO.	TYPE II SIZE (FT)	SQ. YD.
2	2 X 2	0.44	1	2 X 3	0.67
3	1 X 3	0.33	4	3 X 4	1.33
5	2 X 2	0.44	7	3 X 4	1.33
6	1 X 5	0.56	8	2 X 3	0.67
10	1 X 5	0.56	9	3 X 4	1.33
11	1 X 3	0.33	14	2 X 3	0.67
12	2 X 2	0.44	15	2 X 4	0.89
13	1 X 4	0.44			
TYPE I TOTAL		3.54	TYPE II TOTAL		6.89

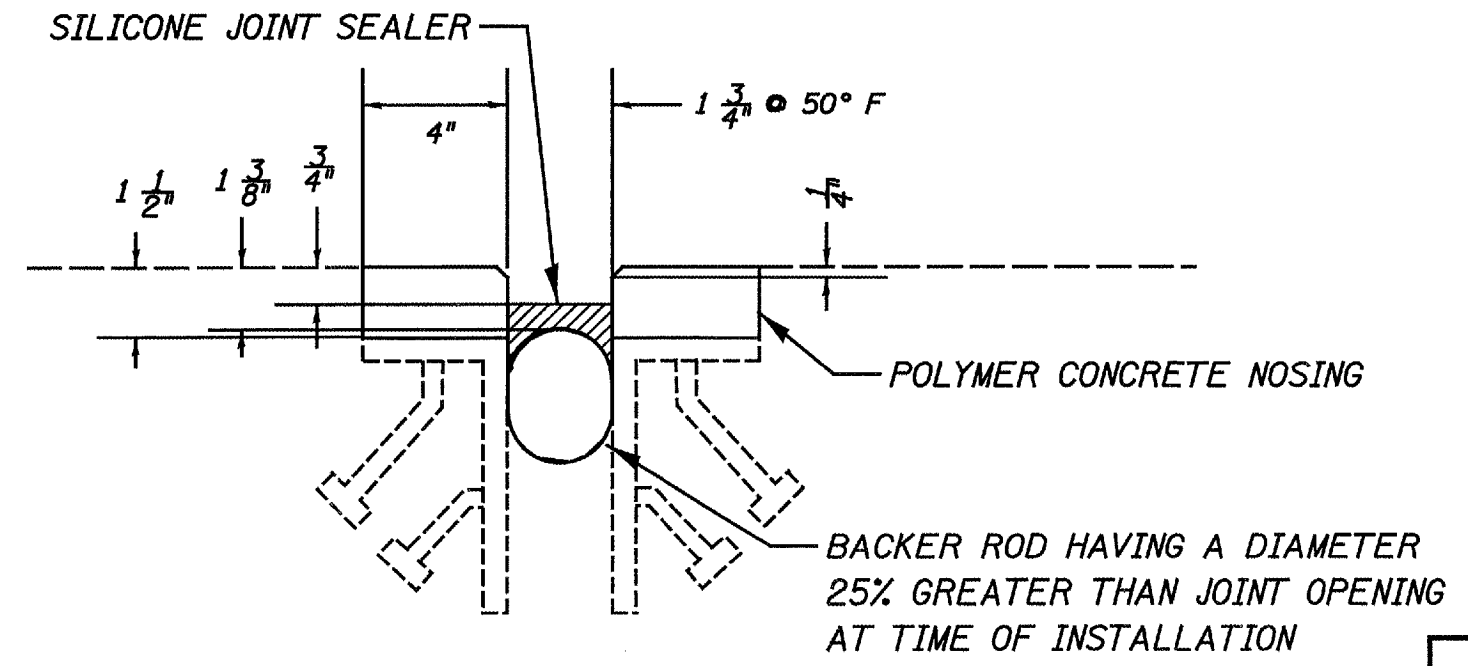
NOTE:
 AREAS OF DECK REPAIRS SHOWN ARE ESTIMATED.
 THE ENGINEER SHALL SHOW ACTUAL LOCATIONS
 OF DECK REPAIRS ON AS-BUILT PLANS.

DATE OF SURVEY: 12/2004

SN 086-0024 WB
 DECK SLAB REPAIR
 FAI 72 OVER WALNUT CREEK
 SECTION (86-10B)I-1
 SCOTT COUNTY



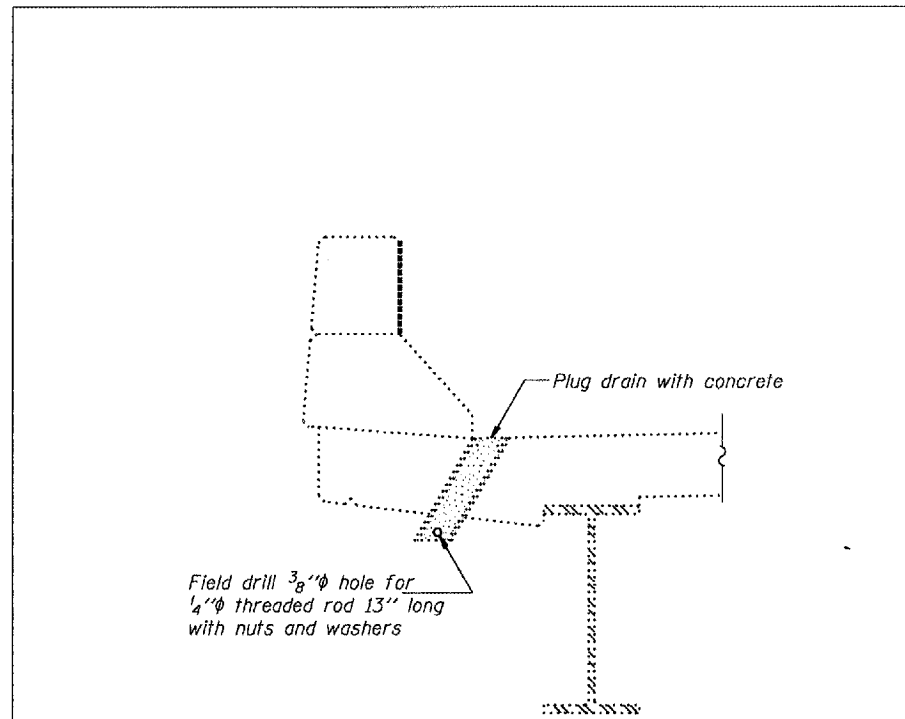
END OF SEAL TREATMENT AT PARAPET



PR SILICONE JOINT SEALER DETAIL

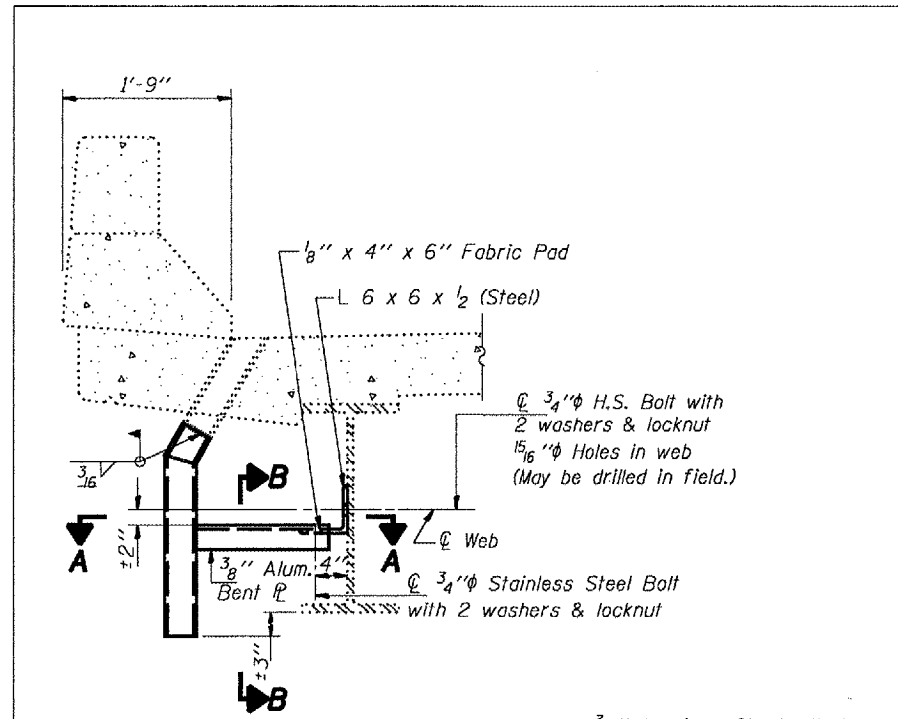
SN 086-0023, 0024

JOINT DETAILS
 FAI 72 OVER WALNUT CREEK
 SECTION (86-10B)I-1
 SCOTT COUNTY

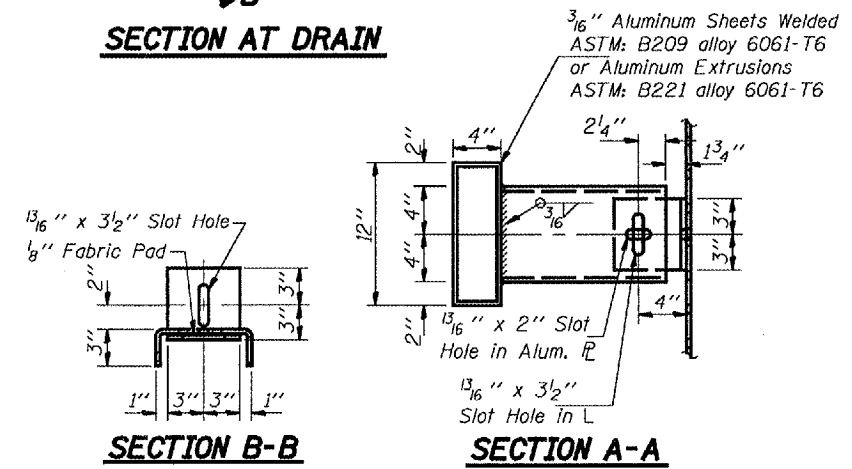


SECTION AT DRAIN

DRAIN ELIMINATION DETAIL



SECTION AT DRAIN



SECTION B-B

SECTION A-A

DRAIN EXTENSION DETAIL