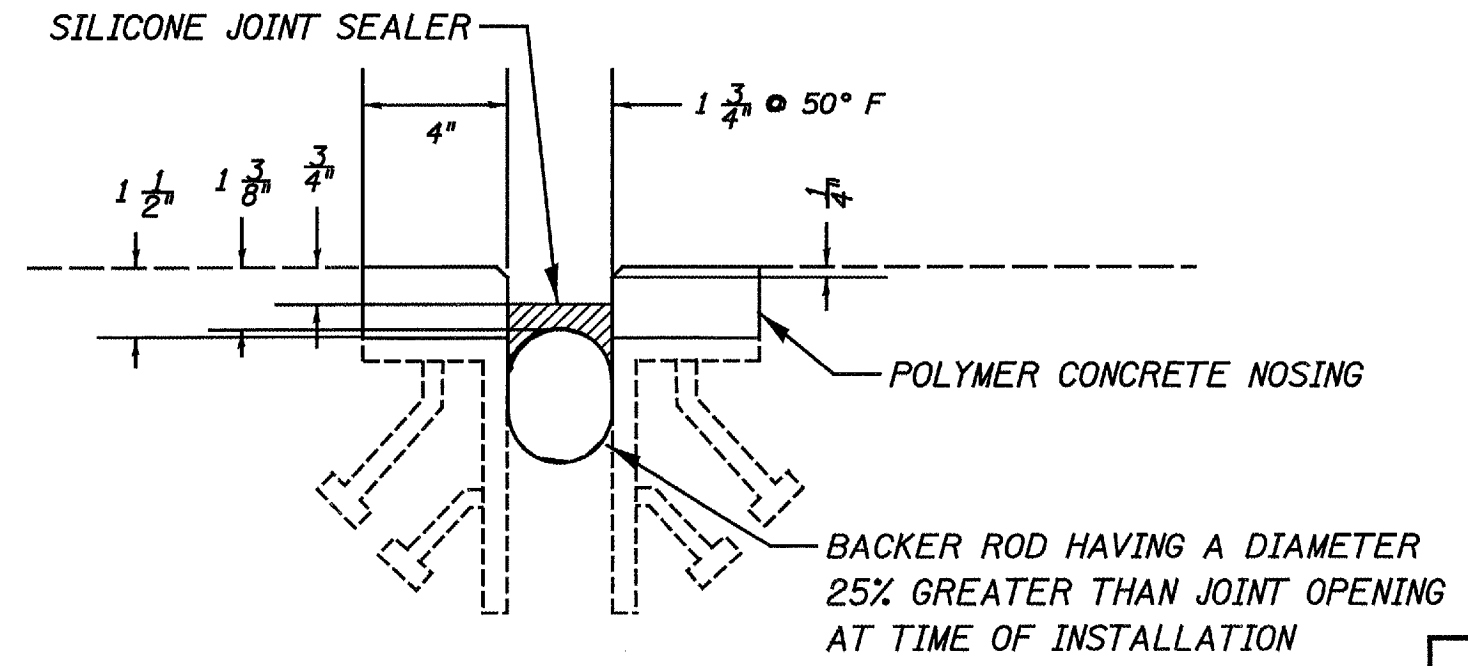


END OF SEAL TREATMENT AT PARAPET



PR SILICONE JOINT SEALER DETAIL

SN 086-0023, 0024

JOINT DETAILS  
 FAI 72 OVER WALNUT CREEK  
 SECTION (86-10B)I-1  
 SCOTT COUNTY