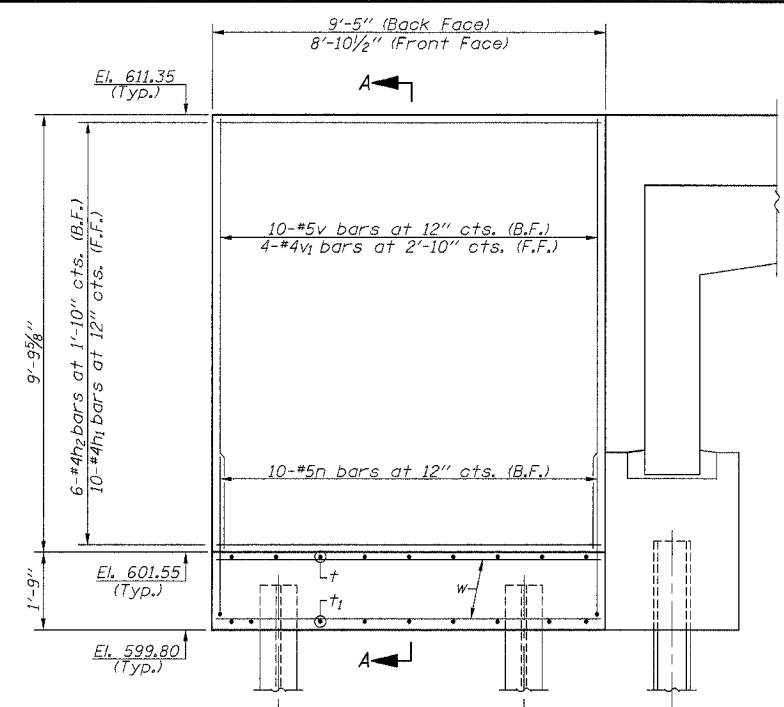
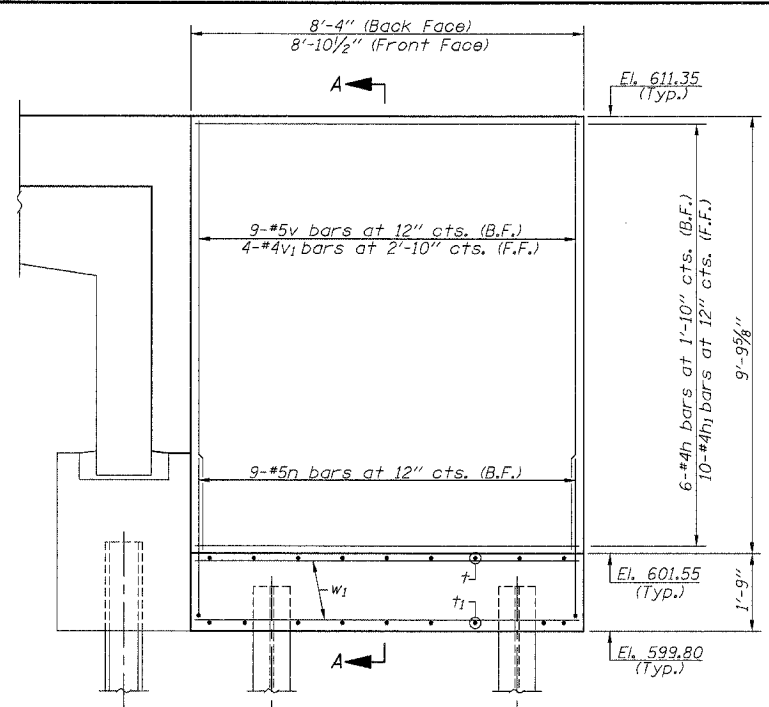


ROUTE NO.	SECTION	COUNTY	TOTAL SHEETS	SHEET NO.
F.A.P. 714	134B	CHRISTIAN	23	18
FED. ROAD DIST. NO.	ILLINOIS	FED. AID PROJECT		

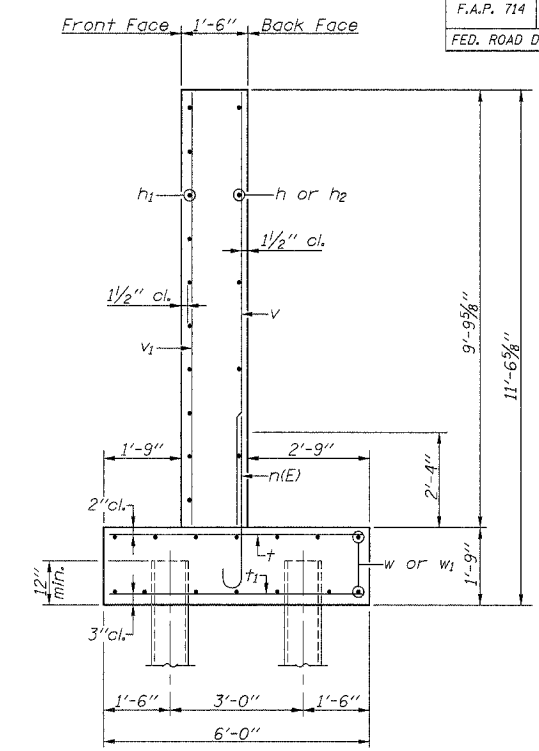
SHEET NO. 5  
OF 10 SHEETS



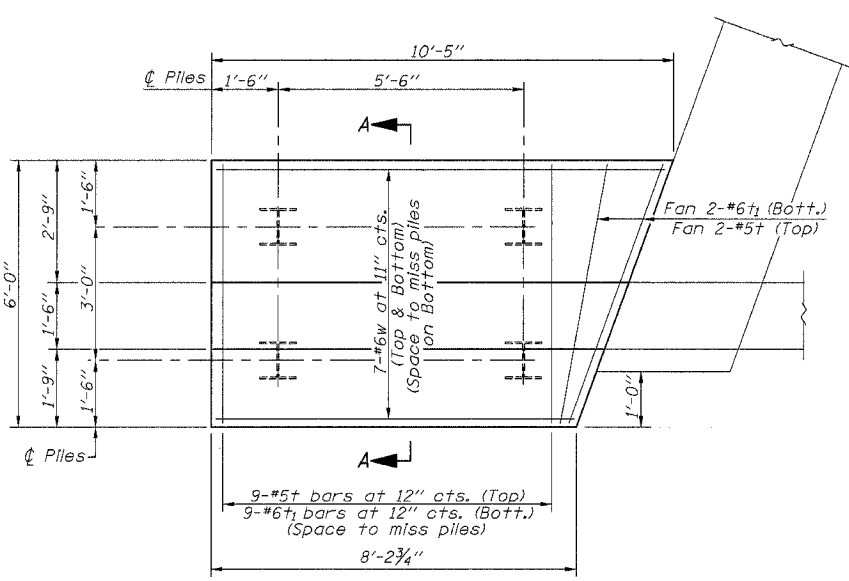
**WINGWALL ELEVATION**  
(Southwest and Northeast Corners)



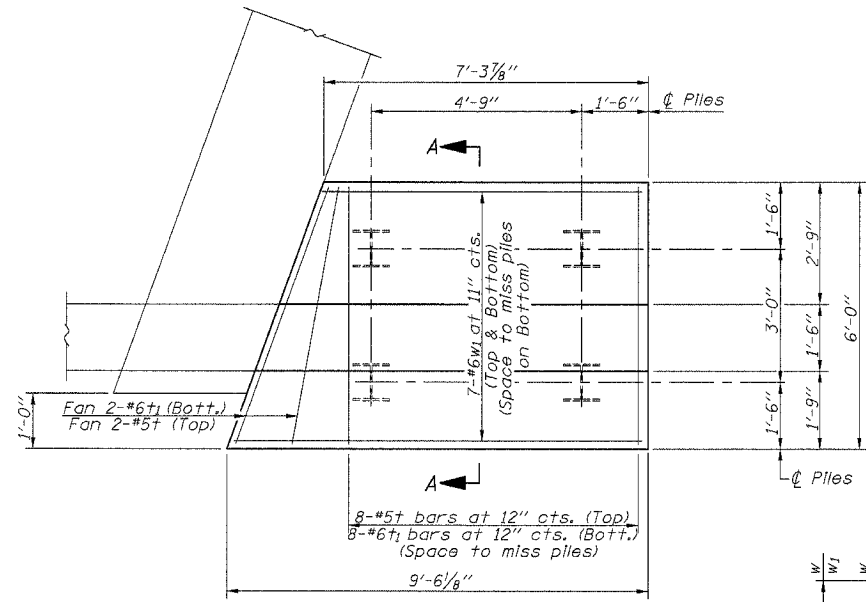
**WINGWALL ELEVATION**  
(Southeast and Northwest Corners)



**SECTION A-A**



**FOOTING PLAN**  
(Southwest and Northeast Corners)



**FOOTING PLAN**  
(Southeast and Northwest Corners)

**PILE DATA**

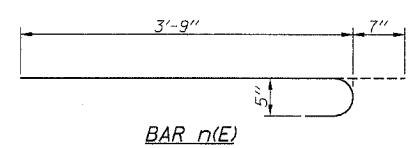
	<b>Northwest &amp; Northeast Wings</b>	<b>Southwest &amp; Southeast Wings</b>
Type:	Steel HP 10x42	Steel HP 10x42
Capacity:	18 Tons (Driven to 27 Tons)	18 Tons (Driven to 27 Tons)
Est. Length:	15'	21'
No. Req'd.	8	8

**(FOUR WINGWALLS)  
BILL OF MATERIAL**

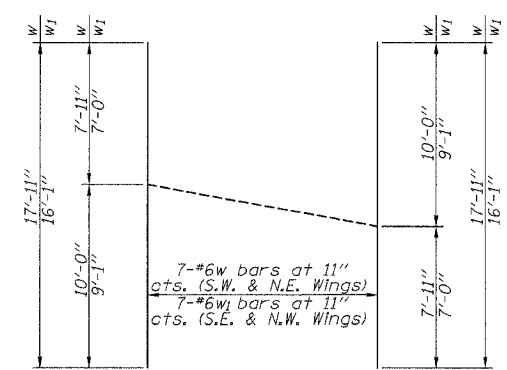
BAR	NO.	SIZE	LENGTH	SHAPE
h	12	#4	8'-0"	—
h <sub>1</sub>	40	#4	8'-6"	—
h <sub>2</sub>	12	#4	9'-1"	—
n(E)	38	#5	4'-4"	U
t	42	#5	5'-8"	—
t <sub>1</sub>	42	#6	5'-8"	—
v	38	#5	9'-7"	—
v <sub>1</sub>	16	#4	9'-7"	—
w	14	#6	17'-11"	—
w <sub>1</sub>	14	#6	16'-1"	—
Concrete Structures		Cu.Yd.	33.2	
Reinforcement Bars		Pound	2340	
Reinforcement Bars (Epoxy Coated)		Pound	175	
Furnishing Steel Piles HP 10x42		Foot	288	
Driving Steel Piles		Foot	288	

Structure Excavation for wingwalls included in quantity shown on Sheet 4 of 10. Reinforcement bars designated (E) shall be epoxy coated.

**WINGWALL DETAILS**  
IL. ROUTE 48 OVER BUCKHART CREEK  
F.A.P. ROUTE 714 - SECTION 134B  
CHRISTIAN COUNTY  
STA. 432+32  
S.N. 011-2505



**BAR n(E)**



**BARS w & w1 CUT DIAGRAM**  
Note: Order w and w1 bars full length. Lay out in field as shown. Cut along cut line. Use remainder of bar in opposite face of footing.

FILE NAME: 134B-STRUCTURE (REV. 2/4/05)