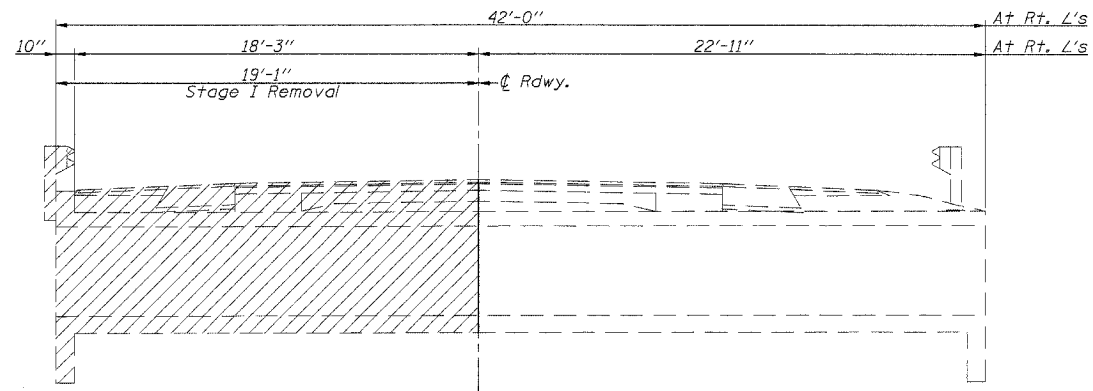


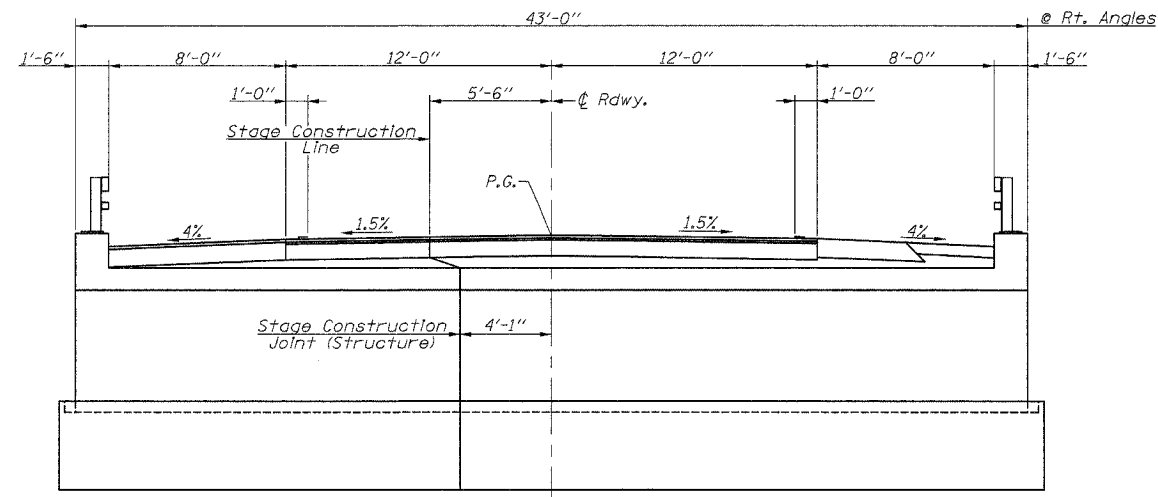
72938

ROUTE NO.	SECTION	COUNTY	TOTAL SHEETS	SHEET NO.
F.A.P. 714	134B	CHRISTIAN	23	15
FED. ROAD DIST. NO.	ILLINOIS	FED. AID PROJECT		

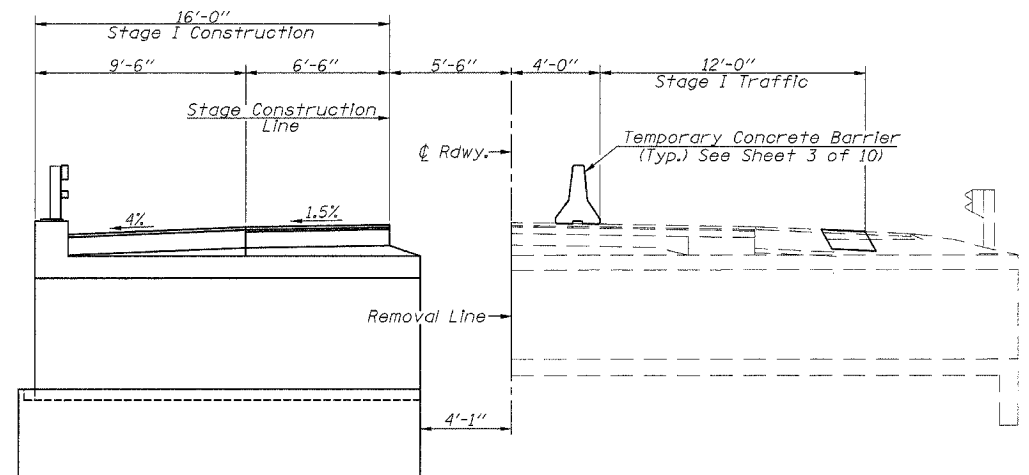
SHEET NO. 2
OF 10 SHEETS



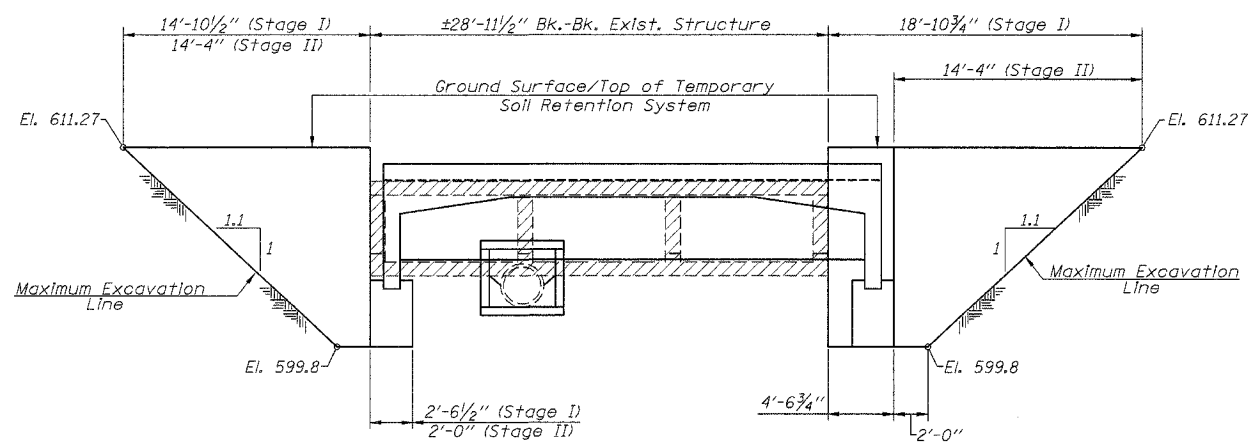
STAGE I REMOVAL
(Looking East)



LONGITUDINAL SECTION
(Looking East)



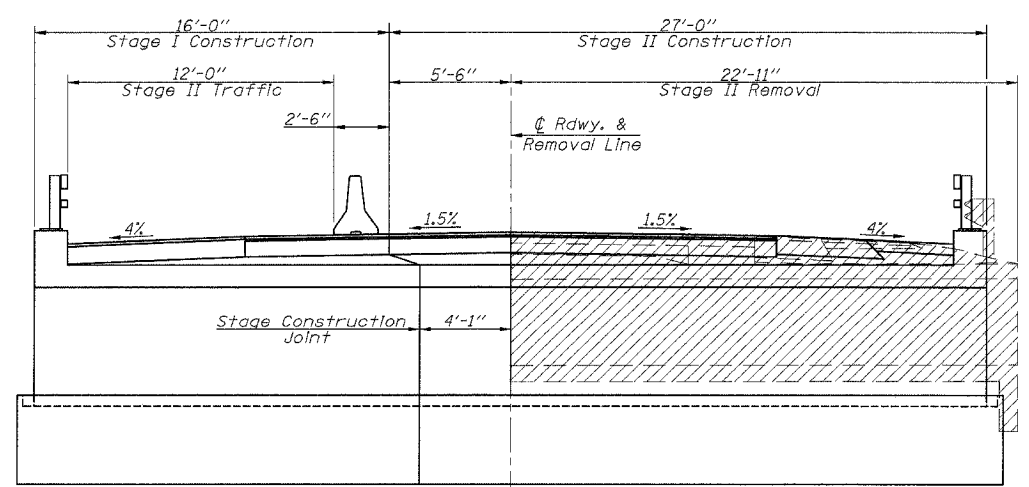
STAGE I TRAFFIC & CONSTRUCTION
(Looking East)



TEMPORARY SOIL RETENTION SYSTEM

Notes: A cantilevered sheet piling system does not appear feasible and additional members or other retention systems may be necessary. The contractor shall submit a temporary soil retention system design including plan details and calculations for review and acceptance by the Engineer.

Hatched area indicates "Removal of Existing Structures".
See roadway plans for quantity of Temporary Concrete Barrier.



STAGE II TRAFFIC & CONSTRUCTION
(Looking East)

STAGING AND DETAILS
IL. ROUTE 48 OVER BUCKHART CREEK
F.A.P. ROUTE 714 - SECTION 134B
CHRISTIAN COUNTY
STA. 432+32
S.N. 011-2505

FILE NAME: 134B-STRUCTURE (REV. 2/3/05)