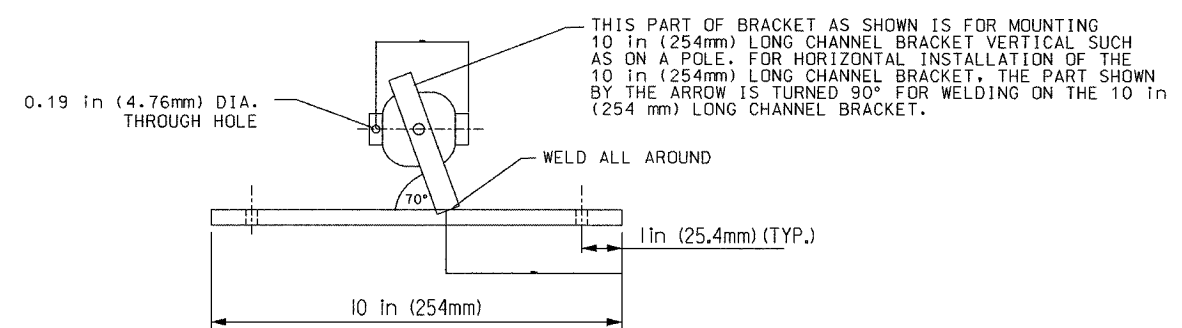
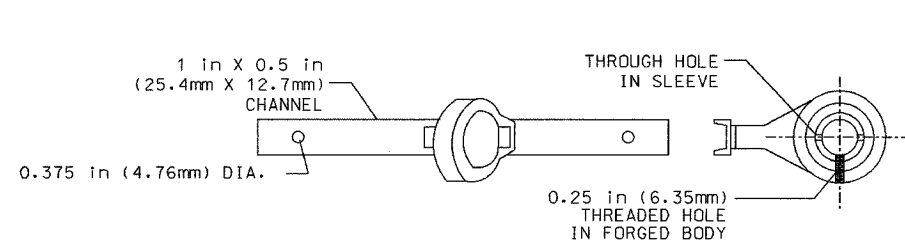
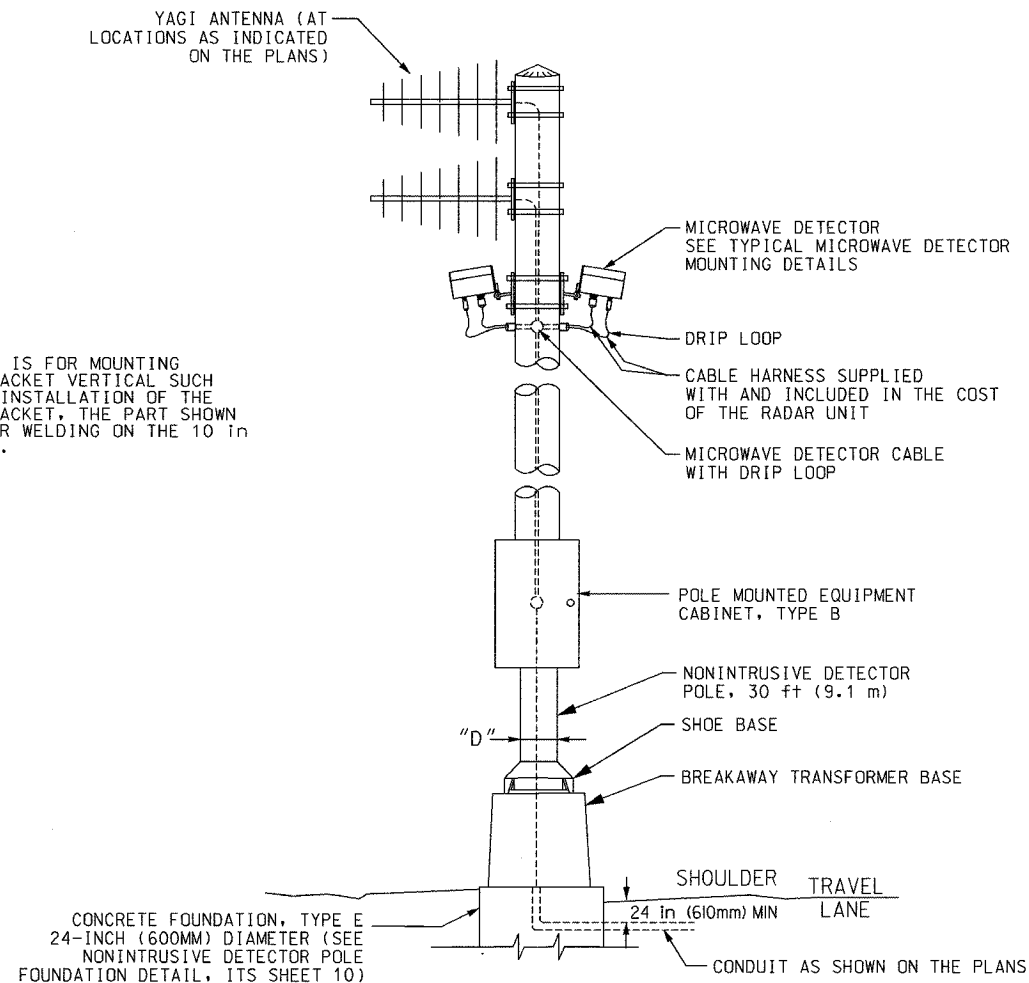


F.A.I. RTE.	SECTION	COUNTY	TOTAL SHEETS	SHEET NO.
74	(72-7R-3)	PEORIA	1360	1338
STA.	TO STA.			
FED. ROAD DIST. NO.	ILLINOIS	FED. AID PROJECT		
68200				

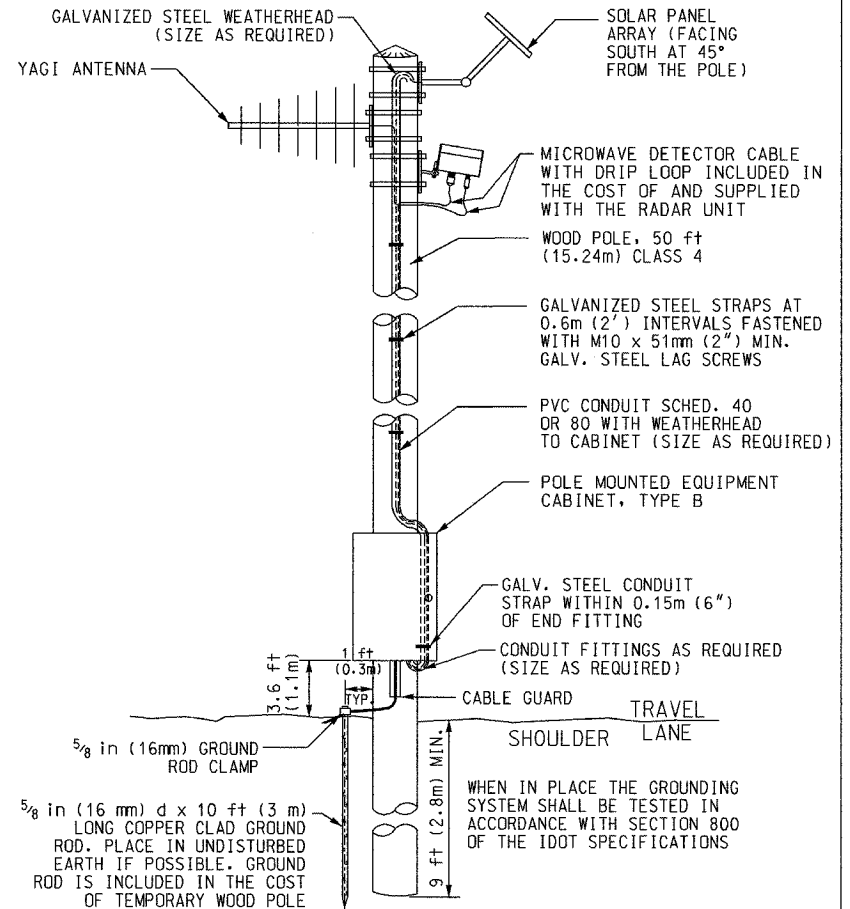


DETECTOR ASSEMBLY (SUPPLIED BY MANUFACTURER)

DETECTOR POLE			
SHAFT LENGTH	SHOE BASE BOLT CIRCLE	TRANS. BASE BOLT CIRCLE	POLE BASE DIA. (D)
28 ft (8.5 m)	11.0 in (280 mm)	15.0 in (380 mm)	8.0 in (203 mm)



PERMANENT POLE



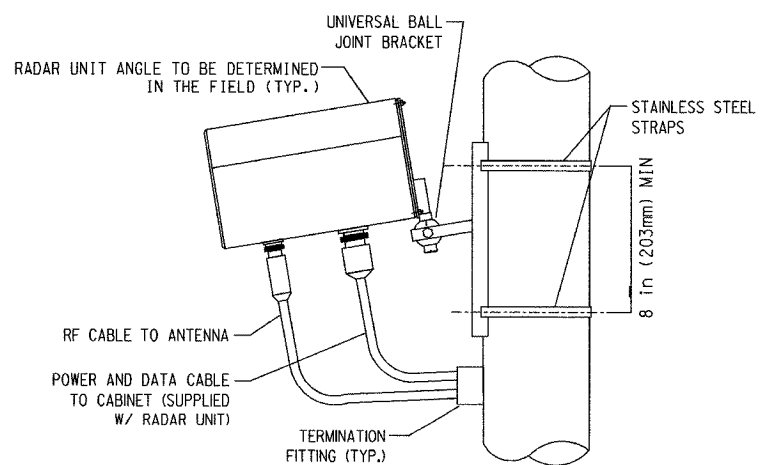
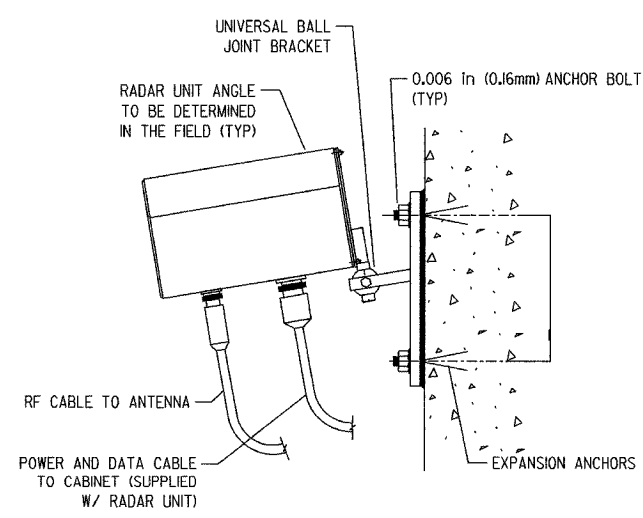
TEMPORARY WOOD POLE

MICROWAVE DETECTOR POLE MOUNTING DETAIL

SEE MICROWAVE DETECTOR INSTALLATION DETAILS TABLE FOR POLE OFFSET AND MOUNTING HEIGHT (ITS SHEET 9)

NOTES:

1. ALL CABLES TO BE INSTALLED WITHIN CONDUIT AS NOTED.
2. CABLE/CONDUITS SHALL NOT ENTER TOPS OF ENCLOSURES, CABINETS OR PULL/JUNCTION BOXES.
3. CABLE HARNESS FROM POLE MOUNTED EQUIPMENT IS SUPPLIED WITH ITS ASSOCIATED EQUIPMENT. ALL STAINLESS STEEL STRAPS FOR FASTENING CABLES BRACKETS, ETC. ARE PAID FOR AS PART OF ITS ASSOCIATED EQUIPMENT. PROVIDE DRIP LOOP AT EACH CABLE TERMINATOR.
4. YAGI ANTENNA AND SOLAR PANEL ARRAY SHALL BE MOUNTED AS HIGH AS POSSIBLE ON THE POLE.
5. YAGI ANTENNA SHALL BE AIMED AT NEAREST MICROWAVE COMMUNICATIONS LINK FOR OPTIMUM PERFORMANCE PROVIDED LINE OF SIGHT EXISTS AND INSTALLED PER MANUFACTURER'S SPECIFICATIONS.



MOUNTED TO CONCRETE WALL

MOUNTED TO VERTICAL POLE

MICROWAVE DETECTOR MOUNTING DETAILS

REVISIONS		ILLINOIS DEPARTMENT OF TRANSPORTATION ITS PLAN
NAME	DATE	
		MICROWAVE DETECTOR MOUNTING DETAIL
SCALE	DATE 11/02/04	DRAWN BY TM CHECKED BY MJL

