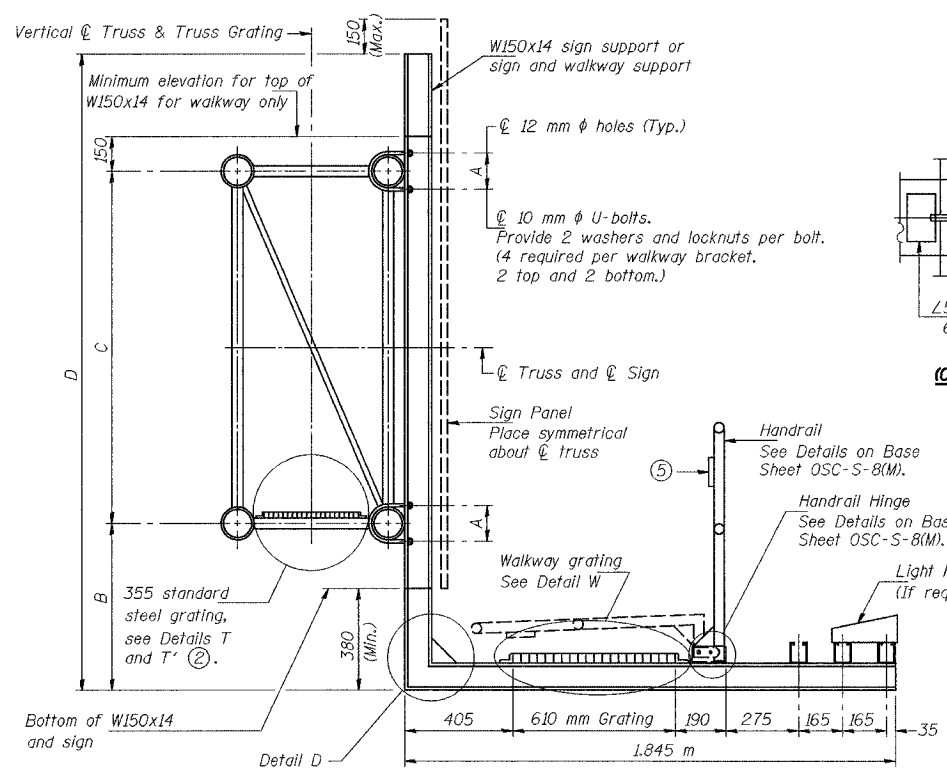


STATE OF ILLINOIS  
DEPARTMENT OF TRANSPORTATION

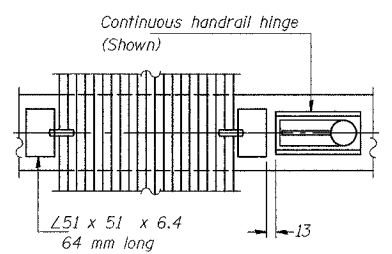
ROUTE No.	SECTION	COUNTY	TOTAL SHEETS	SHEET NO.
FAI 74	*	PEORIA	1360	1315
STA.		TO STA.		
F.H.W.A. REGION		ILLINOIS	PROJECT	
		* (T2-T1R-3) CONTRACT NO. 68200		

**BARS SIZES FOR STANDARD STEEL GRATING**

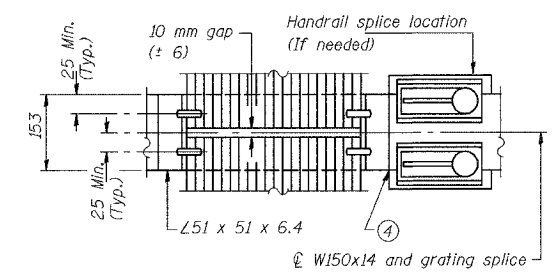
TRUSS GRATING Main bearing bars 5 mm x 38 mm on 30 mm centers.  
Cross bars 5 mm x 38 mm on 102 mm centers.  
WALKWAY GRATING Main bearing bars 5 mm x 38 mm on 30 mm centers.  
Cross bars 5 mm x 38 mm on 102 mm centers.



**SECTION B-B**

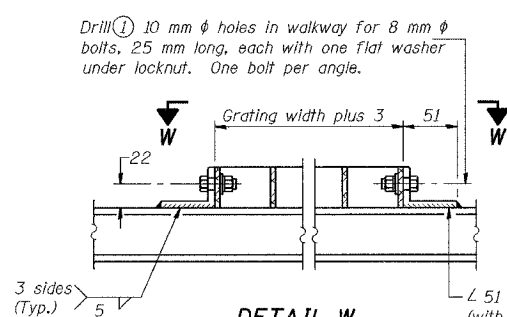


**CONTINUOUS WALKWAY GRATING**

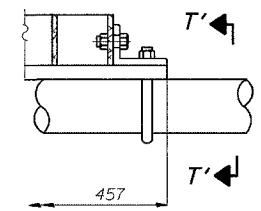


**SECTION W-W**

**(AT WALKWAY GRATING SPLICE)**

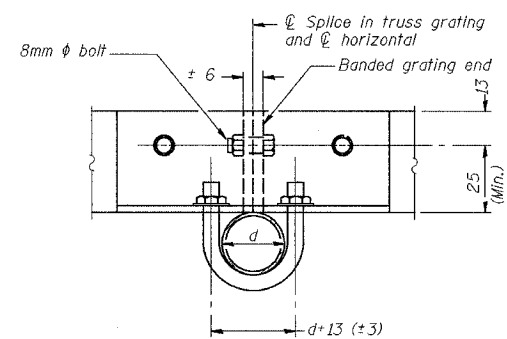


**DETAIL W**  
(Walkway grating)

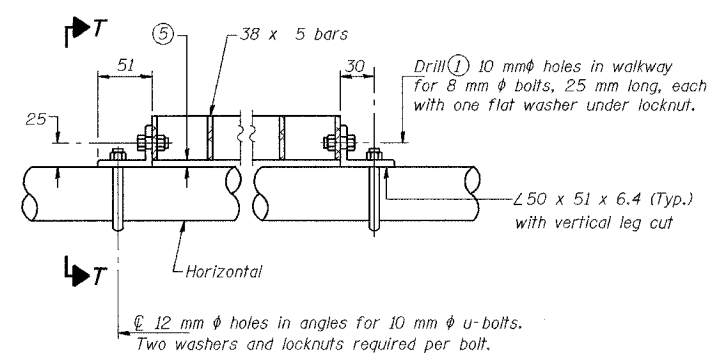


**DETAIL T'**

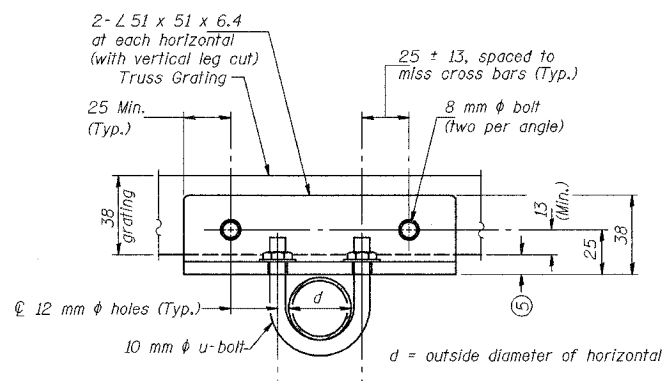
(Truss grating splice)  
Details not shown same as Detail T.  
Alternate materials may be used subject to the Engineer's review and approval.



**SECTION T'-T'**

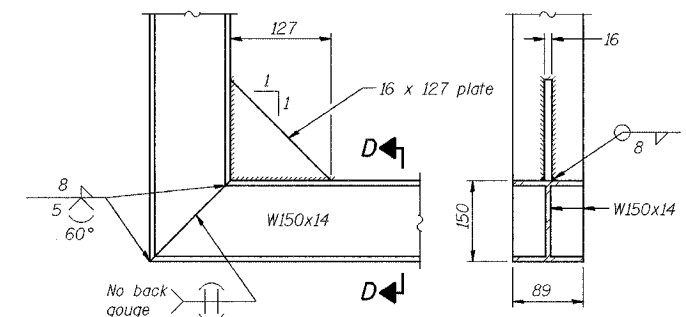


**DETAIL T**  
(Truss grating at horizontal)



**SECTION T-T**

Walkway Grating, Walkway Supports, Handrail and Lighting are not included.  
Information shown on this sheet shall be used for Truss Grating and Sign Supports only.



**DETAIL D**

**SECTION D-D**

(See Detail P, Base Sheet OSC-S-8(M).)

SIGNING SHEET 67 OF 83

**CANTILEVER SIGN STRUCTURES  
WALKWAY DETAILS  
STEEL TRUSS & STEEL POST**

ILLINOIS DEPARTMENT OF TRANSPORTATION

SIGNING PLAN  
W.B. 1-74 STA. 143+740  
S.N. 4C0721074L089.3

PEORIA CO., IL.

DATE: 11-11-04

Structure Number	Station	A (m)	B (m)	C (m)	D (m)
4C0721074L089.3	143+740	0.178	0.456	1.680	2.441

NUMBER	REVISION	DATE

DESIGNED	RJW	2004
CHECKED	KJN	
DRAWN	RJW	
CHECKED	KJN	
EXAMINED		
PASSED	ENGINEER OF STRUCTURAL SERVICES	
	ENGINEER OF BRIDGES AND STRUCTURES	

OSC-S-7(M) 10/1/2001

I:\Pro\13573\Sign Structures\Contract 10\sp1002-7Acan-sfl.dgn