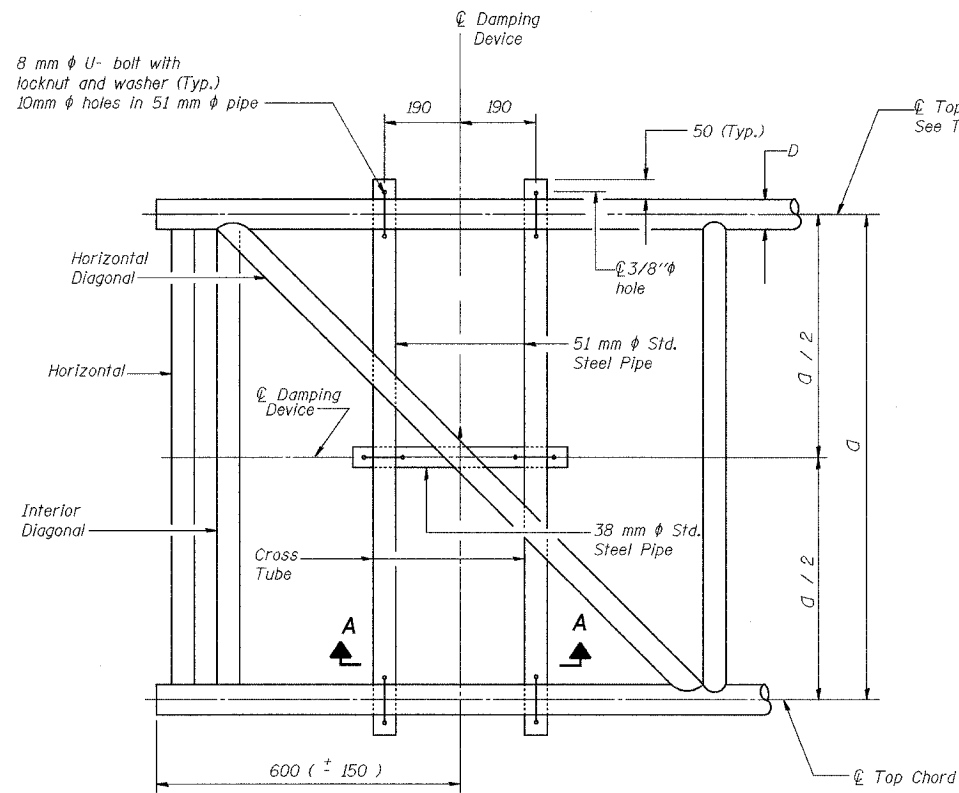
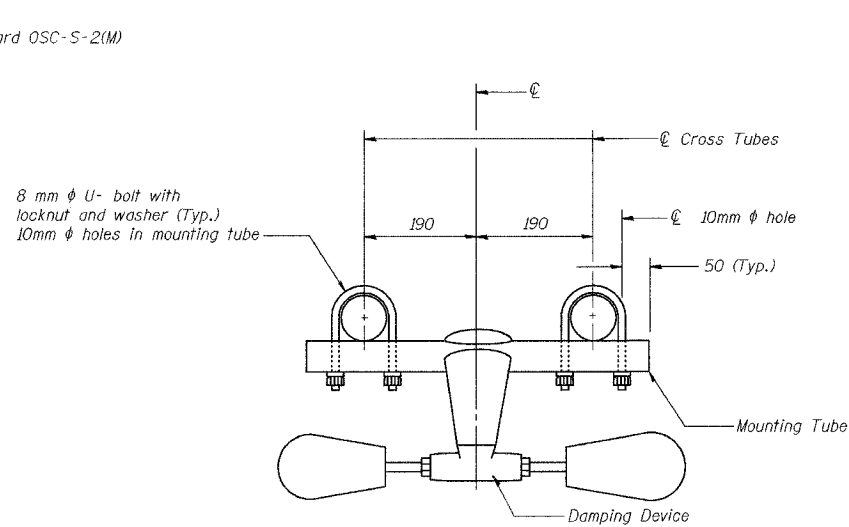


STATE OF ILLINOIS
DEPARTMENT OF TRANSPORTATION

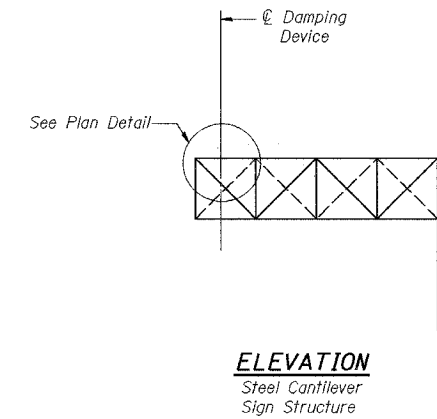
ROUTE No.	SECTION	COUNTY	TOTAL SHEETS	SHEET NO.
FAI 74	*	PEORIA	1360	1310
STA.		TO STA.		
F.H.W.A. REGION		ILLINOIS	PROJECT	
*(72-7)R-3		CONTRACT NO. 68200		



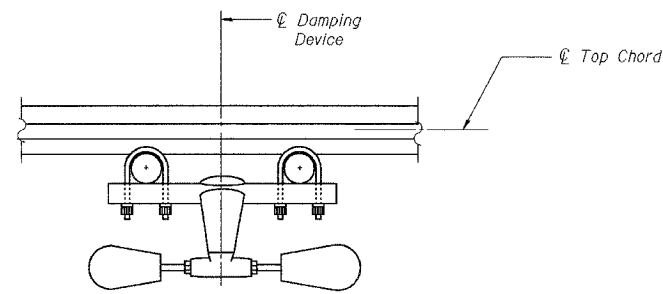
PLAN DETAIL



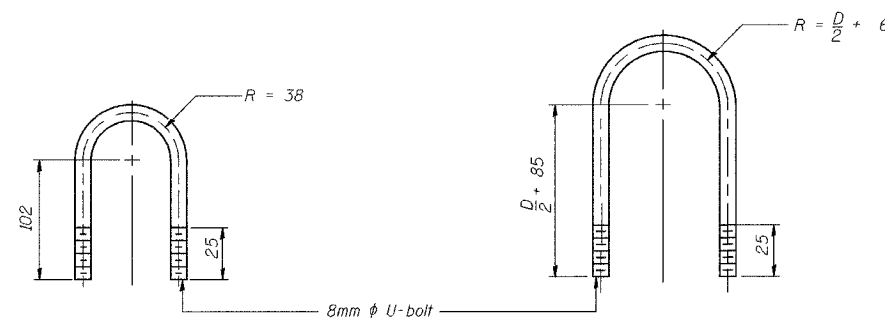
**TRUSS DAMPING
DEVICE CONNECTION DETAIL**



ELEVATION
Steel Cantilever
Sign Structure



SECTION A-A



**DAMPING DEVICE MOUNTING
TUBE U-BOLT DETAIL**
(Typical)

**TOP CHORD TO CROSS TUBE
U-BOLT DETAIL**
(Typical)

GENERAL NOTES

Damper: One damper per truss. (14 Kg Stockbridge-Type Steel)
Cost included in "Overhead Sign Structure...".
All dimensions are in millimeters (mm) except as noted.

M:\Proj\3573\Sign Structures\Contract 10\sp\002-TAcan-sll.dgn

DESIGNED	RJW	2004
CHECKED	KJN	EXAMINED ENGINEER OF STRUCTURAL SERVICES
DRAWN	RJW	PASSED ENGINEER OF BRIDGES AND STRUCTURES
CHECKED	KJN	

OSC-S-D(M) 10/11/2001

SIGNING SHEET 62 OF 83

**CANTILEVER SIGN STRUCTURES
DAMPING DEVICE**

ILLINOIS DEPARTMENT OF TRANSPORTATION

SIGNING PLAN
W.B. 1-74 STA. 143+740
S.N. 4C0721074L089.3

PEORIA CO., IL.

DATE: 11-11-04