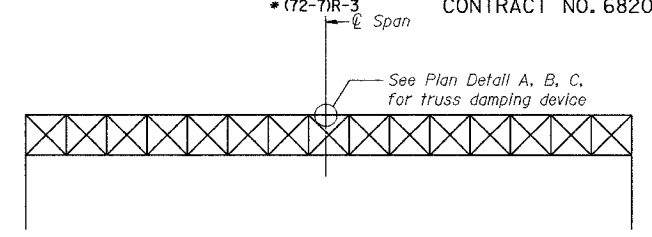
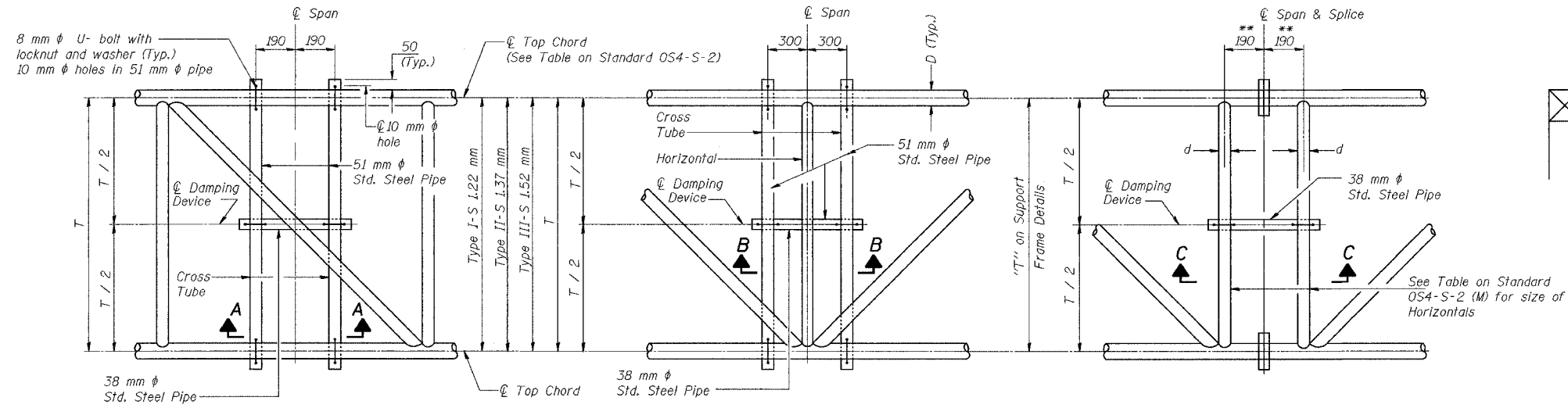


STATE OF ILLINOIS  
DEPARTMENT OF TRANSPORTATION

\*\* Center of horizontal to center of splice dimension may vary. Verify before drilling holes in mounting tube.

ROUTE No.	SECTION	COUNTY	TOTAL SHEETS	SHEET NO.
FAI 74	*	PEORIA	1365	1300
STA.		TO STA.		
F.H.W.A. REGION		ILLINOIS	PROJECT	

CONTRACT NO. 68200



**ELEVATION**  
Steel Overhead Sign Truss

**NOTES**

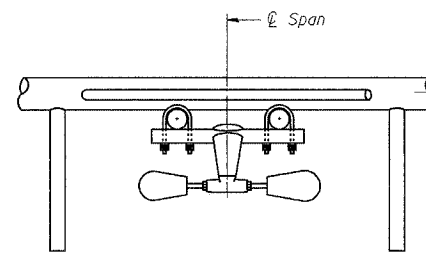
Damper: One damper per truss.  
(14 Kg Stockbridge-Type)  
Cost included in "Overhead Sign Structure..."

All dimensions are in millimeters (mm) except as noted

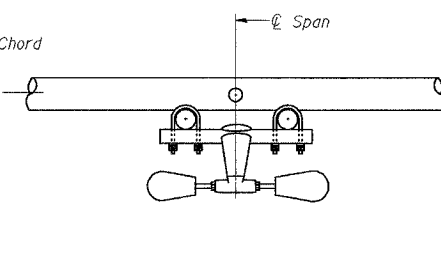
**PLAN DETAIL "A"**  
Span BETWEEN PANEL POINTS

**PLAN DETAIL "B"**  
Span AT PANEL POINT

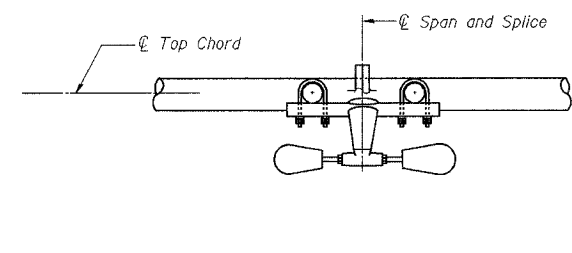
**PLAN DETAIL "C"**  
Span AT CHORD SPLICE



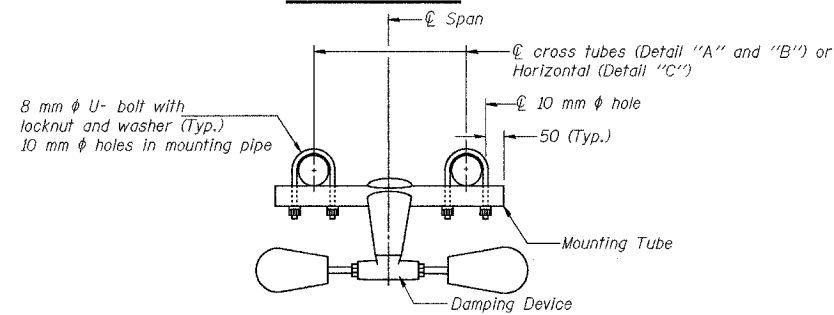
**SECTION A-A**



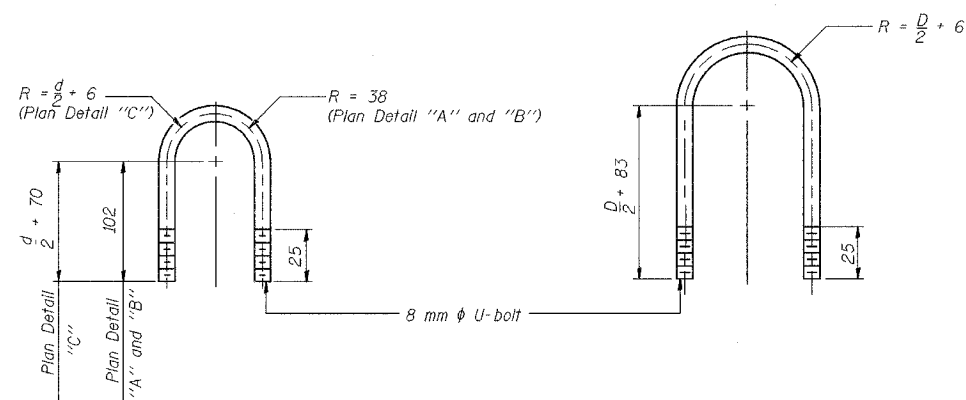
**SECTION B-B**



**SECTION C-C**



**TRUSS DAMPING DEVICE CONNECTION DETAIL**  
(Typical)



**DAMPING DEVICE MOUNTING TUBE U-BOLT DETAIL**  
(Typical)

**TOP CHORD TO CROSS TUBE U-BOLT DETAIL**  
(Typical - Detail "A" and "B")

DESIGNED	RJW	2884
CHECKED	KJN	EXAMINED
DRAWN	RJW	ENGINEER OF STRUCTURAL SERVICES
CHECKED	KJN	PASSED
		ENGINEER OF BRIDGES AND STRUCTURES

OS-S-D(M) 10/1/2001

SIGNING SHEET 52 OF 83

**OVERHEAD SIGN STRUCTURE DAMPING DEVICE**

ILLINOIS DEPARTMENT OF TRANSPORTATION

SIGNING PLAN  
W.B. I-74 STA. 143+798, S.N. 4S0721074L089.3  
W.B. I-74 STA. 144+154, S.N. 4S0721074L089.4  
W.B. I-74 STA. 144+540, S.N. 4S0721074L089.4

PEORIA CO., IL.

DATE: 11-11-04

M:\Proj\3573\Sign Structures\Contract 10/sp1001-7Ach-sfl.dgn