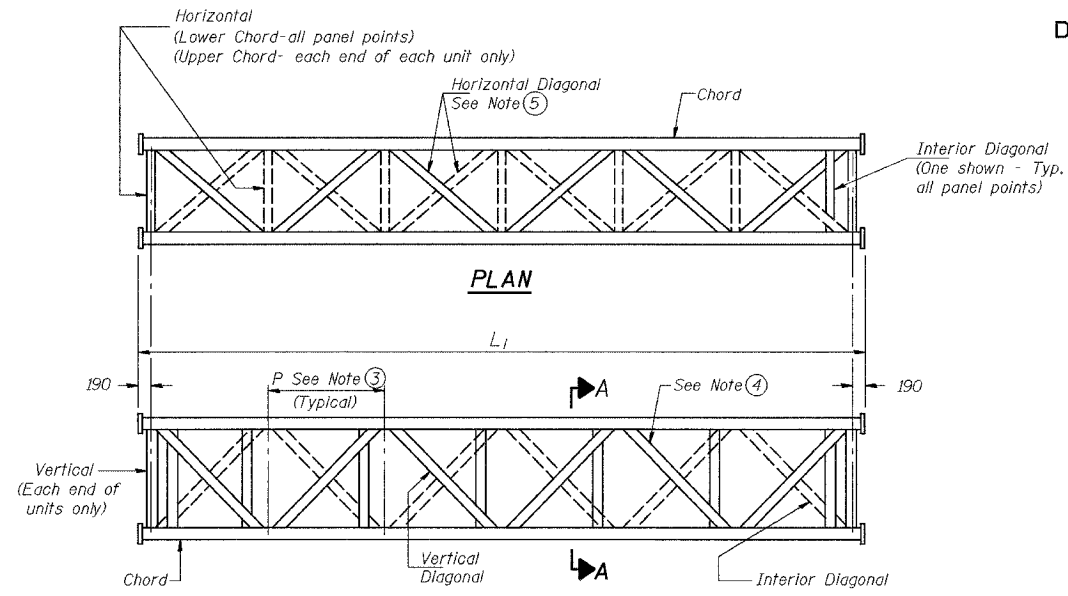


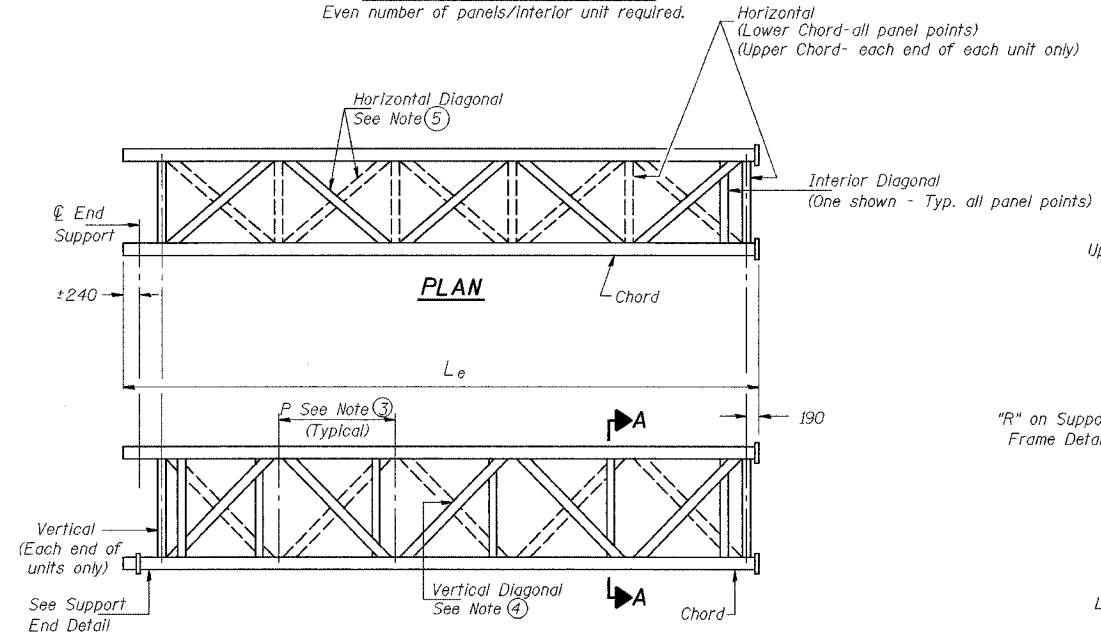
STATE OF ILLINOIS
DEPARTMENT OF TRANSPORTATION

ROUTE No.	SECTION	COUNTY	TOTAL SHEETS	SHEET NO.
FAI 74	*	PEORIA	1360	1393
STA.		TO STA.		
F.H.W.A. REGION		ILLINOIS PROJECT		

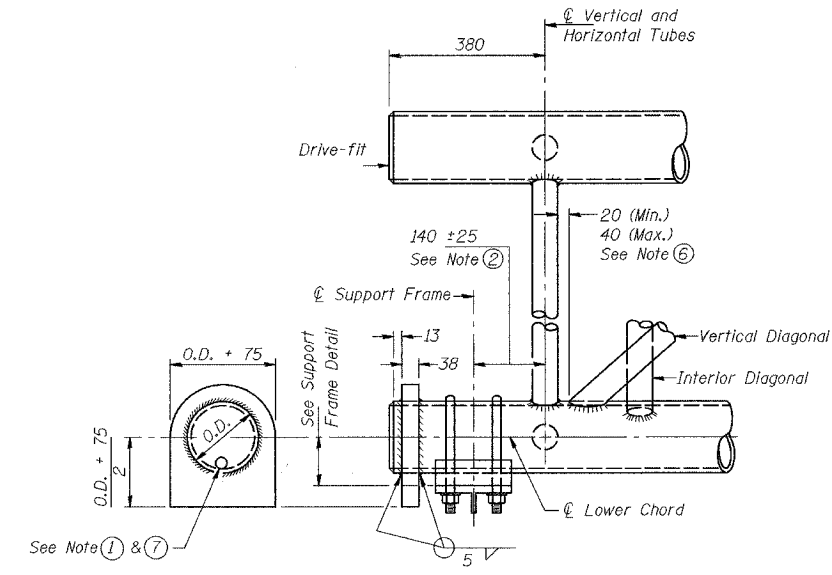
CONTRACT NO. 68200



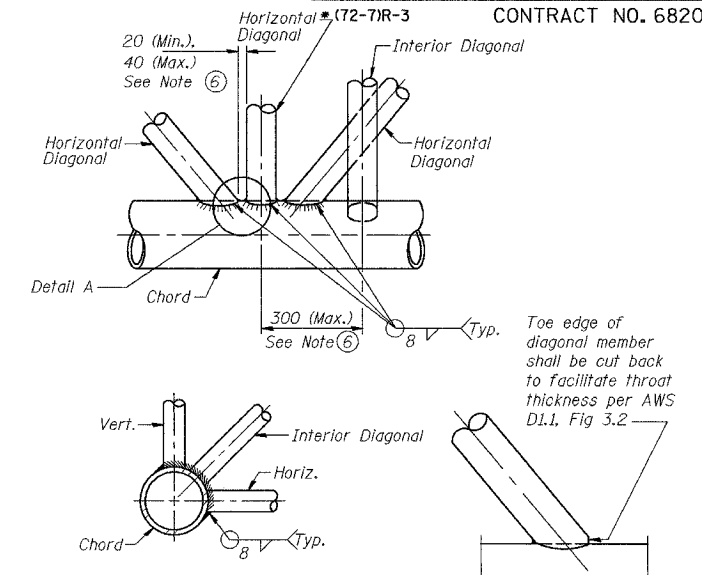
**ELEVATION
TYPICAL INTERIOR UNIT**
Even number of panels/interior unit required.



**ELEVATION
TYPICAL EXTERIOR UNIT**
Even or odd number of panels/exterior units allowed.



SUPPORT END DETAIL FOR EXTERIOR UNIT

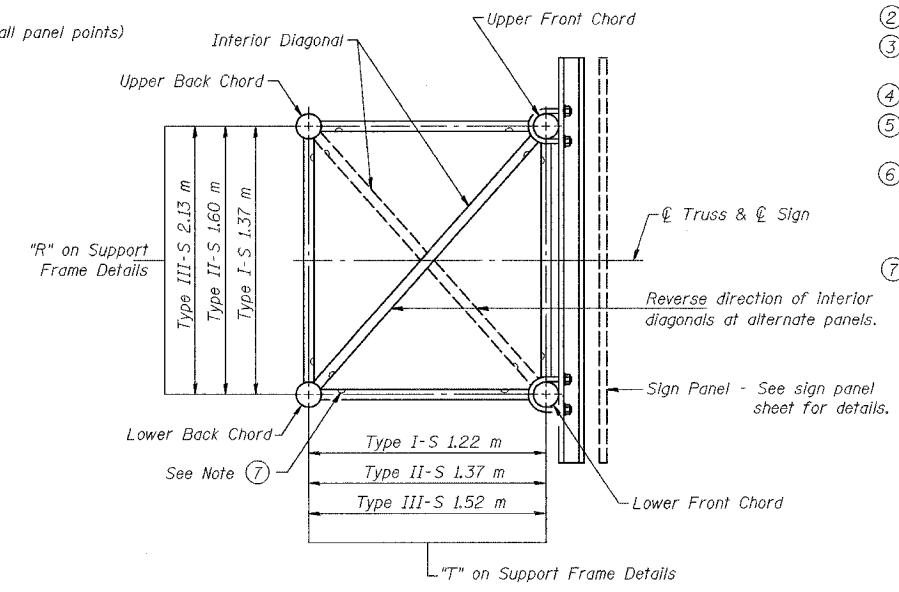


TYPICAL JOINT DETAILS

DETAIL A

NOTES

- Contractor must use standard aluminum drive-fit cap to close end. 13mm ϕ drain hole in end plate/drive-fit cap installed after galvanizing. (Typ. at non-splice ends of all chords)
- 140 mm end dimension may vary by ± 25 mm to provide uniform panel spacing (P).
- Panel spacing (P) shall be uniform for entire truss and between 1.20 m and 1.50 m for Type I-S or 1.20 m and 1.65 m for Types II-S and III-S.
- Vertical Diagonals in front and back face shall alternate inclination.
- Hidden lines show wind bracing alternates direction between planes of top and bottom chords.
- All diagonals shall be offset from the panel point based on the following: Offset shall provide a 20 mm minimum to 40 mm maximum clearance between diagonal and any other diagonal, horizontal or vertical member, and to provide clearance for U-bolt connections of signs or walkway brackets.
- Galvanizing vent holes of adequate size shall be provided on underside at each end of truss members except chords. Alternately, holes may be provided in wall of chords. All vent holes shall be drilled and de-burred. (Typ.)



SECTION A-A
(Vertical and horizontal diagonals not shown)

M:\Proj\3573\Sign Structures\Contract 10/sp1001-7Aoh-sfl.dgn

DESIGNED	RJW
CHECKED	KJN
DRAWN	RJW
CHECKED	KJN

EXAMINED	2004
PASSED	ENGINEER OF STRUCTURAL SERVICES
	ENGINEER OF BRIDGES AND STRUCTURES

NUMBER	REVISION	DATE

OS-S-2(M) 10/1/2001

SIGNING SHEET 50 OF 83

**OVERHEAD SIGN STRUCTURES
STEEL TRUSS DETAILS
FOR TRUSS TYPES I-S, II-S and III-S**

ILLINOIS DEPARTMENT OF TRANSPORTATION

SIGNING PLAN
W.B. I-74 STA. 143+798, S.N. 4S0721074L089.3
W.B. I-74 STA. 144+154, S.N. 4S0721074L089.4
W.B. I-74 STA. 144+540, S.N. 4S0721074L089.7

PEORIA CO., IL. DATE: II-II-04