

F.A.I. RTE.	SECTION	COUNTY	TOTAL SHEETS	SHEET NO.
74	(72-7)R-3	PEORIA	1360	1234
STA.		TO STA.		
FED. ROAD DIST. NO.		ILLINOIS FED. AID PROJECT		

CONTRACT NO. 68200

STAINLESS STEEL STANDARD GRADE WIRE CLOTH, 125 WIDE, 6 MAXIMUM OPENING WITH A MINIMUM WIRE DIAMETER OF AWG NO. 18, WITH A 50 LAP. SECURE TO BASE PLATE AFTER ERECTION WITH 19 WIDE STAINLESS STEEL BANDING

MECHANICAL CONNECTION TO ANCHOR RODS & REINFORCING STEEL (TYP.)

16mm GROUND ROD (TYP.)
3 GROUND RODS PER FOUNDATION

SEE ANCHOR BOLT CAGE WELDMENT
DETAIL SHEET 52

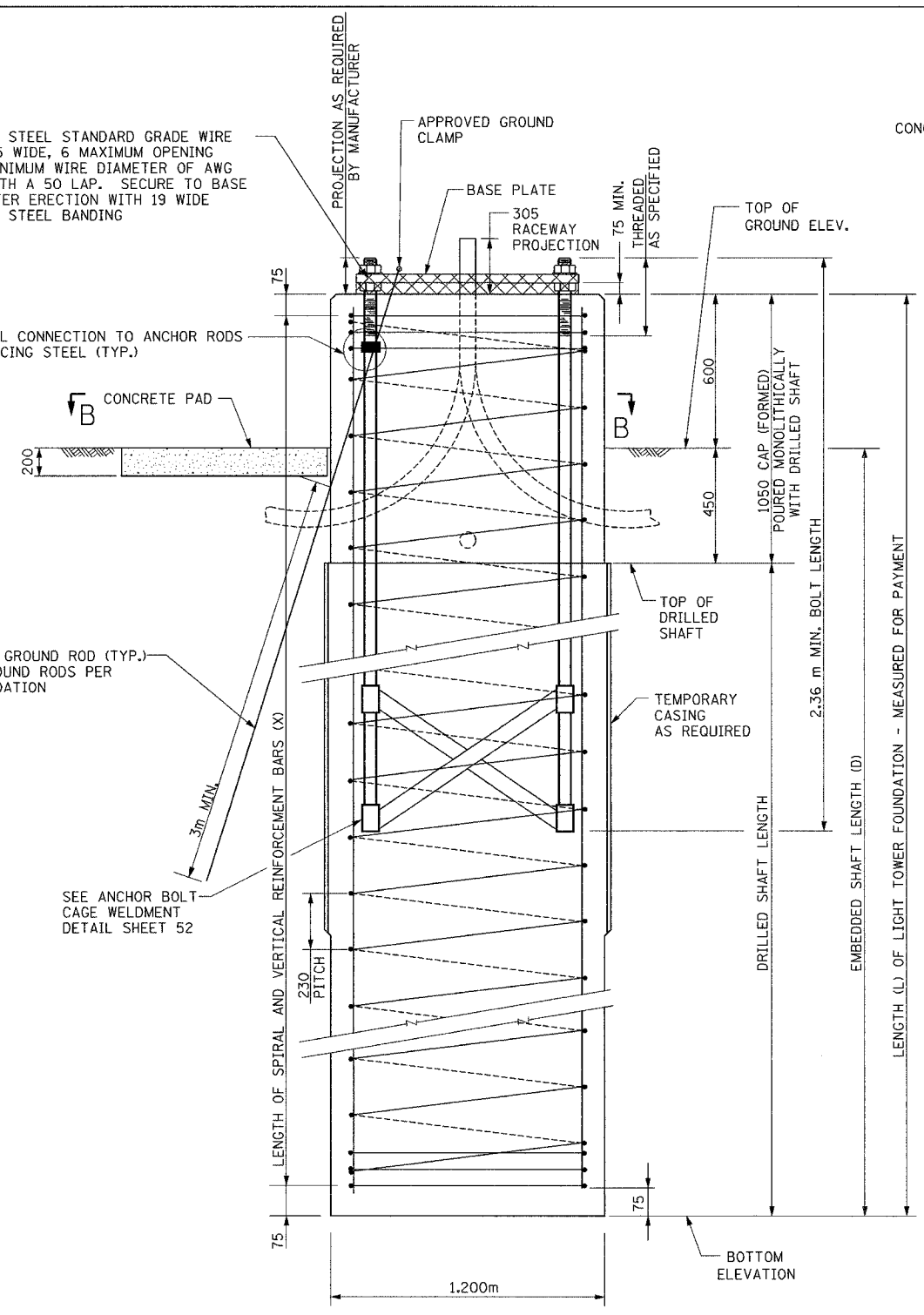
m:\proj\3573\lighting\74contract\0\111000-7a_hmf.dwg

4/13/00 PM

11/12/2004

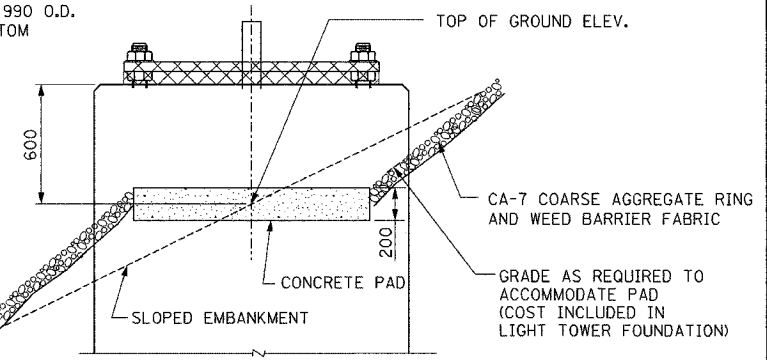
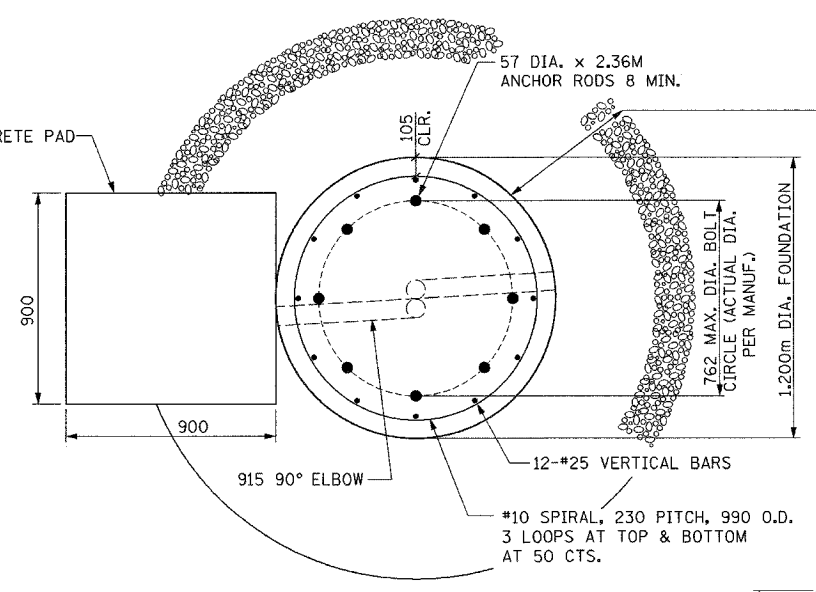
NOTE: NUTS SHALL BE TIGHTENED AGAINST THE BASE PLATE WITH 271 Nm MINIMUM TORQUE.

FOUNDATION ELEVATION



CONCRETE PAD

SECTION B-B



**FOUNDATION ELEVATION
SLOPED CONDITION**

NOTES:

1. FOR DRILLED SHAFT SCHEDULE, SEE SHEET 51.
2. SEE FOUNDATION NOTES SHEET 52
3. THE COST OF THE GROUND RODS AND GROUND ROD CLAMPS SHALL BE INCLUDED IN THE LIGHT TOWER FOUNDATION PAY ITEM. THREE GROUND RODS ARE REQUIRED AT EACH LOCATION.

alfred benesch & company
CONSULTING ENGINEERS
205 NORTH MICHIGAN AVENUE, CHICAGO, ILLINOIS 60601

REVISIONS	
NAME	DATE

LIGHTING SHEET 50 OF 64

ILLINOIS DEPARTMENT OF TRANSPORTATION

LIGHT TOWER FOUNDATION
(TYPE 2 IN-FIELD)

DATE: 11/12/04
DRAWN BY CDF
CHECKED BY RJW