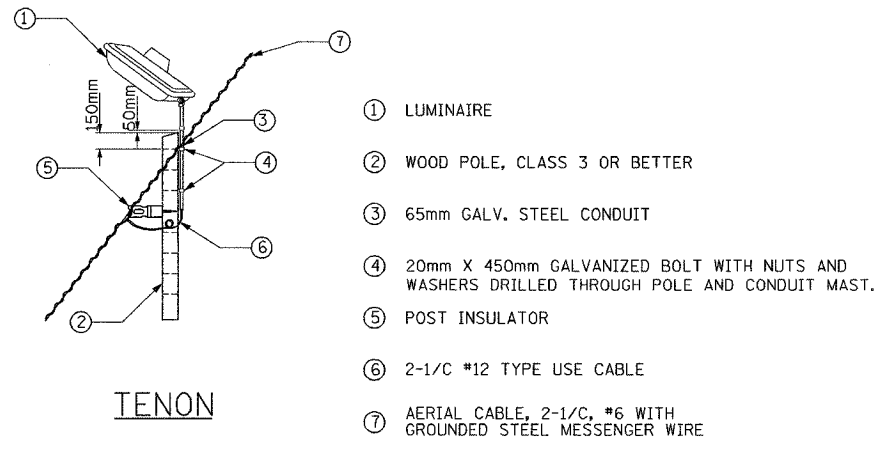


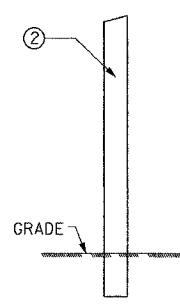
F.A.I. RTE.	SECTION	COUNTY	TOTAL SHEETS	SHEET NO.
74	(72-71R-3	PEORIA	1360	1331
STA.		TO STA.		
FED. ROAD DIST. NO.	ILLINOIS	FED. AID PROJECT		

CONTRACT NO. 68200



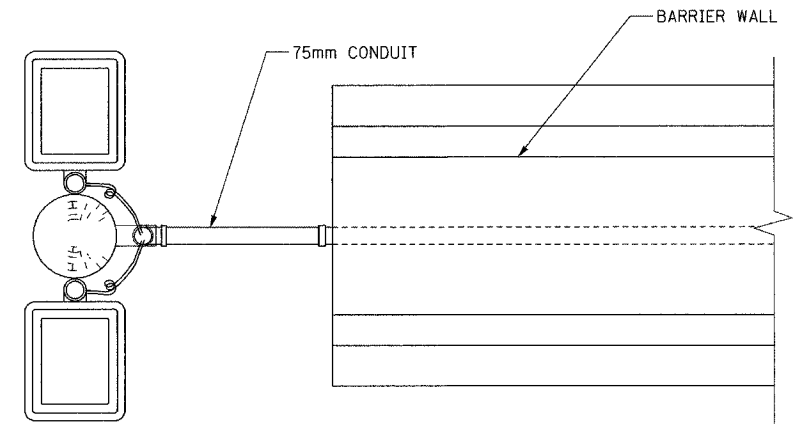
TENON

TEMPORARY WOOD POLE
DETAIL T1

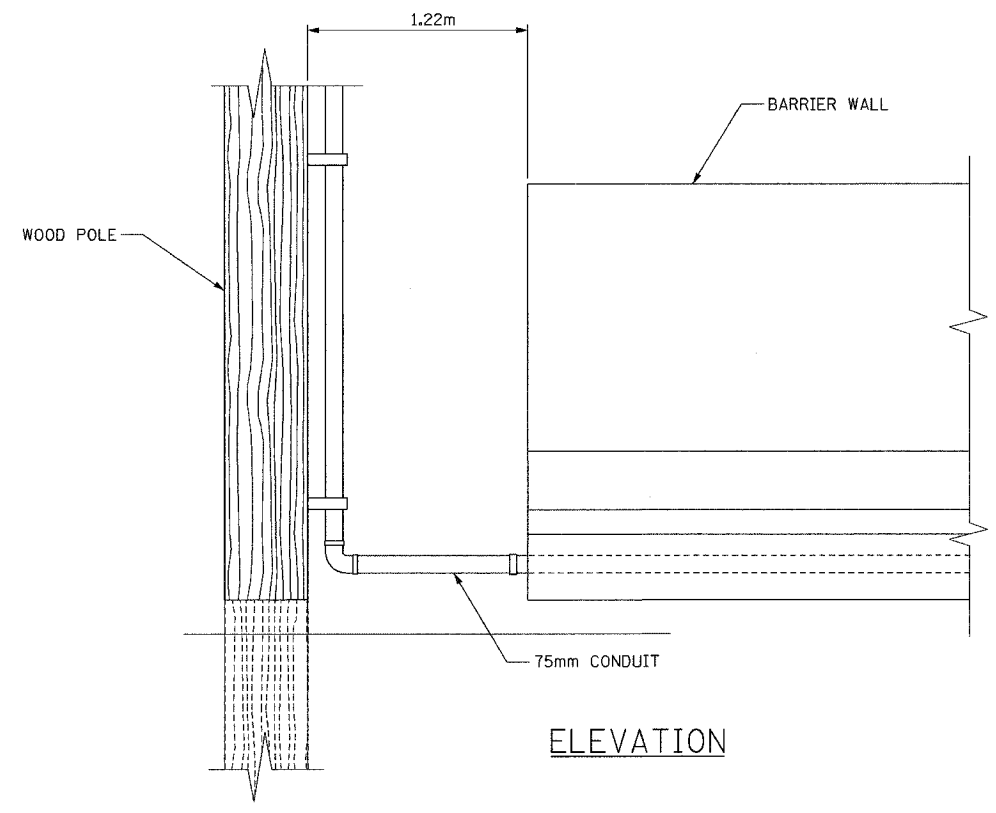


WOOD POLE

POLE LENGTH	DEPTH IN GROUND
19.8m	3.65m
18.29m	3.00m
16.76m	2.74m
15.24m	2.43m
13.72m	2.13m
12.2m	1.98m
10.67m	1.83m
9.15m	1.68m



PLAN



ELEVATION

TEMPORARY LIGHTING DETAILS
AT TEMPORARY CROSSOVER
MEDIAN BARRIER

LIGHTING SHEET 47 OF 64

REVISIONS	
NAME	DATE

ILLINOIS DEPARTMENT OF TRANSPORTATION

MISCELLANEOUS DETAILS
TEMPORARY LIGHTING

DRAWN BY DJK
CHECKED BY MKR

DATE: 11/12/04

ab alfred benesch & company
CONSULTING ENGINEERS
205 NORTH MICHIGAN AVENUE, CHICAGO, ILLINOIS 60601

m:\proj\3573\lighting\4\contract\0\11000-7a-dets_13.dgn

4/255 PM

11/12/2004