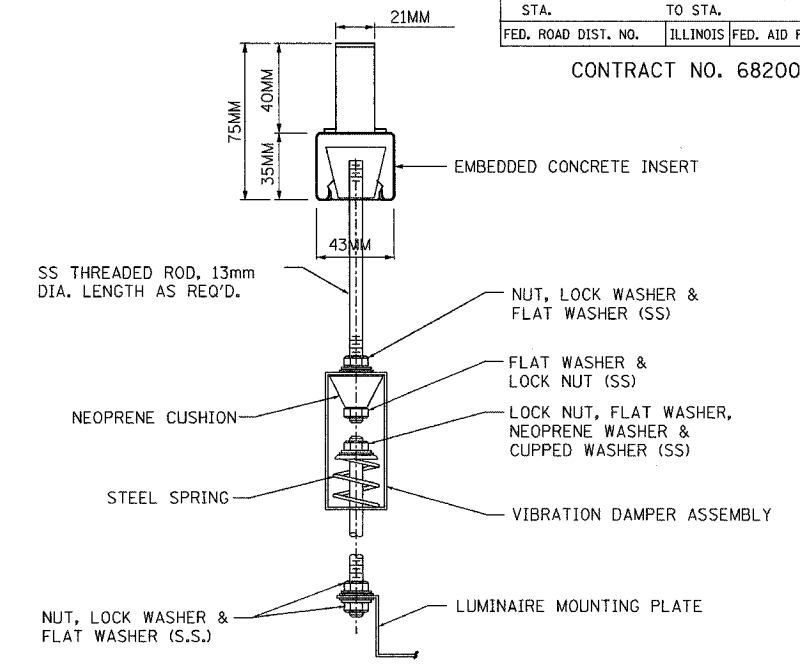
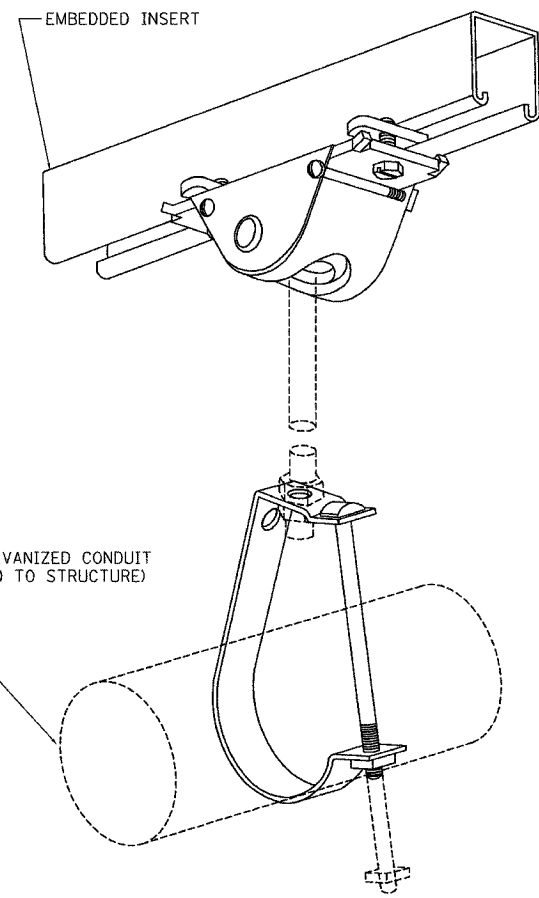
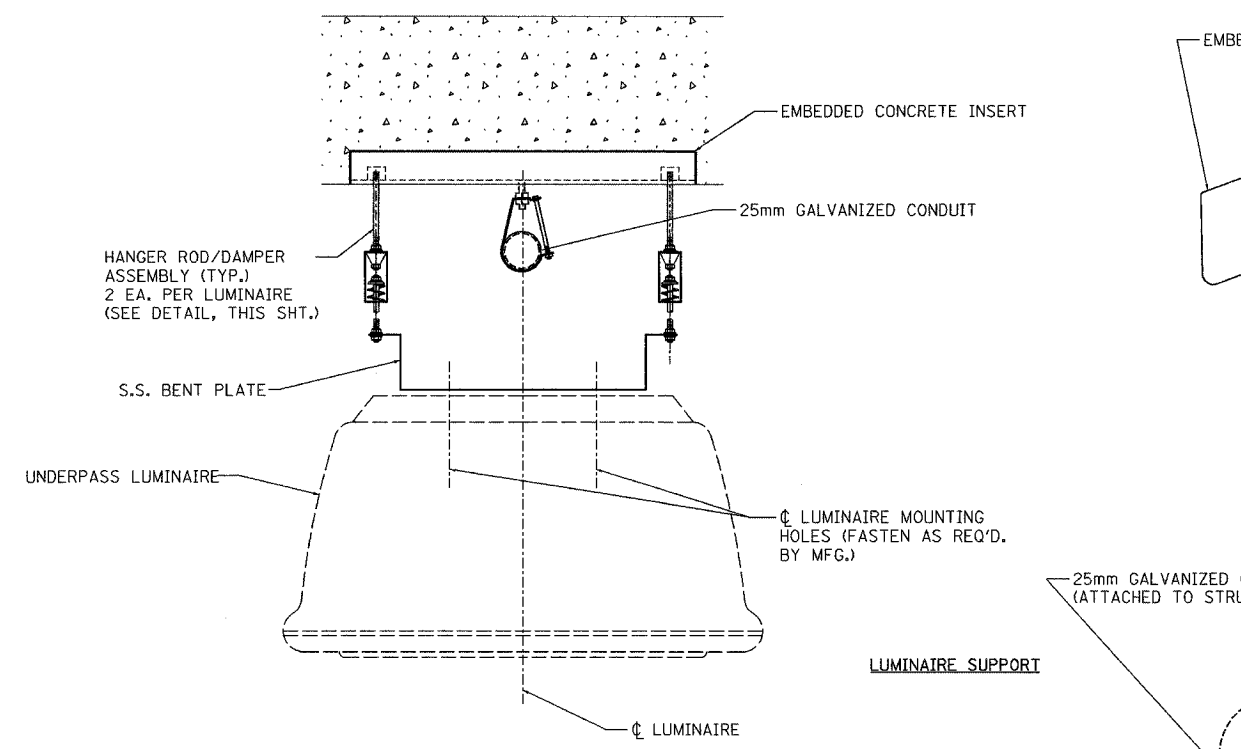


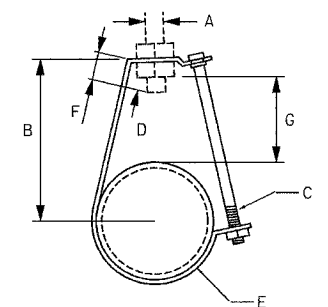
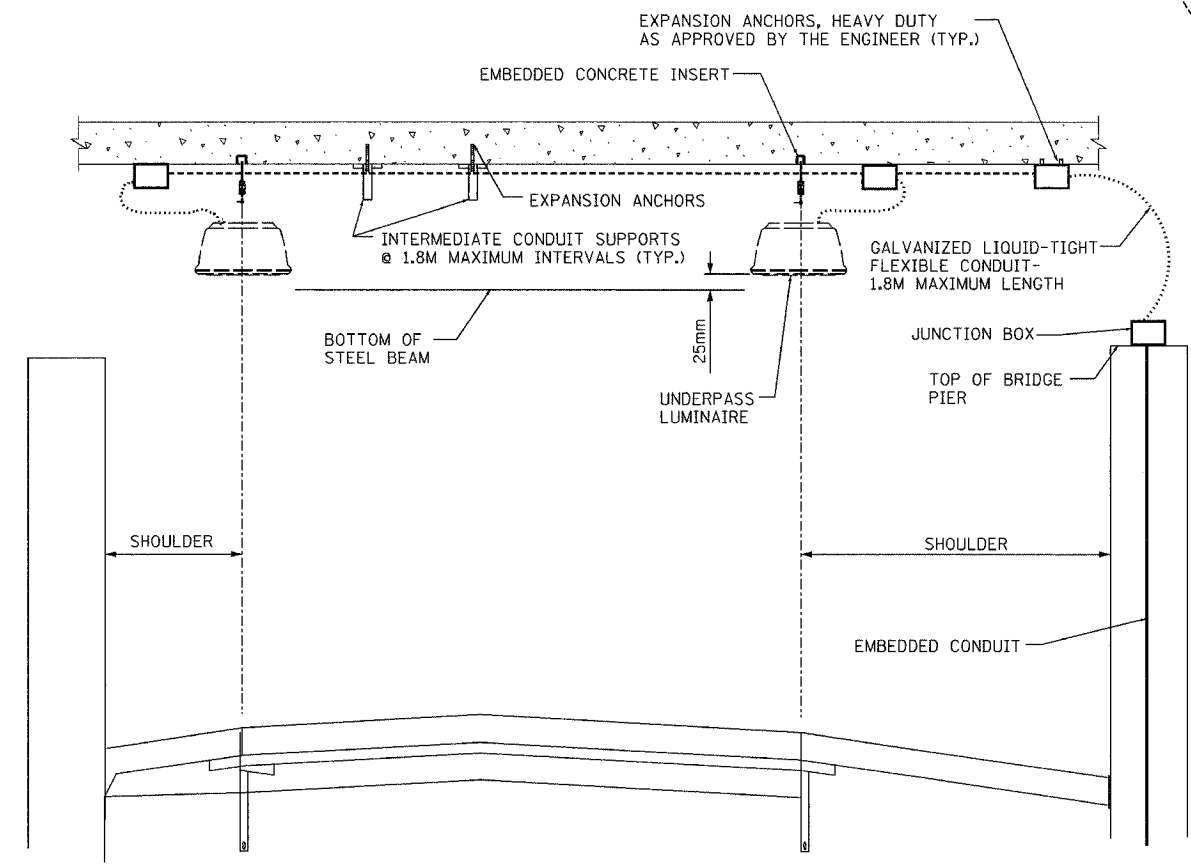
F.A.I. RTE.	SECTION	COUNTY	TOTAL SHEETS	SHEET NO.
74	(72-7)R-3	PEORIA	1360	1330
STA.		TO STA.		
FED. ROAD DIST. NO.		ILLINOIS	FED. AID PROJECT	

CONTRACT NO. 68200



LUMINAIRE HANGER ASSEMBLY
N.T.S.

* THE COST OF THE LUMINAIRE HANGER ASSEMBLY SHALL BE INCLUDED IN THE PAY ITEM FOR UNDERPASS LUMINAIRE, (INSTALL ONLY).
OTHER VIBRATION DAMPER ASSEMBLIES MAY BE USED IF APPROVED BY THE ENGINEER.

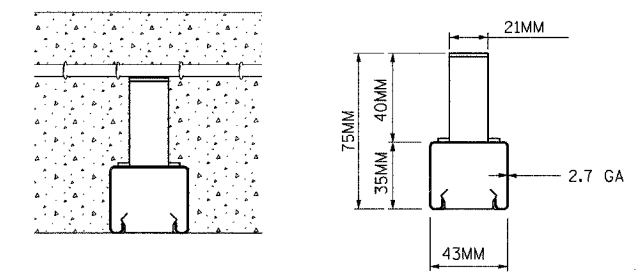
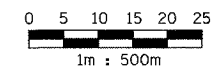


CONDUIT SUPPORT
N.T.S.

MEASUREMENTS (mm)

A	B	C	D	E	F	G
9.5	57.2	6.4x 69.9	10.3	3.2x 19.1	14.3	25.4

* THE COST OF THE CONDUIT SUPPORT SHALL BE INCLUDED IN THE PAY ITEM FOR THE CONDUIT ATTACHED TO STRUCTURE.



DETAIL 1 - 200mm CONCRETE INSERT
N.T.S.

* THE CONCRETE INSERT SHALL BE ORIENTED WITH THE LONG DIMENSION PARALLEL TO TRAFFIC FLOW.
THE COST OF CONCRETE INSERT SHALL BE INCLUDED IN THE PAY ITEM FOR THE EMBEDDED CONDUIT.

m:\proj\3573\lighting\4-contract\01\1000-7a misc underpass det.dgn

4-09-46 PM

11/12/2004

UNDERPASS LIGHTING DETAIL - SECTION VIEW (TYP.)

ab **alfred benesch & company**
CONSULTING ENGINEERS
205 NORTH MICHIGAN AVENUE, CHICAGO, ILLINOIS 60601

REVISIONS	
NAME	DATE

ILLINOIS DEPARTMENT OF TRANSPORTATION
MISCELLANEOUS UNDERPASS
LIGHTING DETAILS
DRAWN BY DJK
CHECKED BY MKR
DATE: 11/12/04

LIGHTING SHEET 46 OF 64