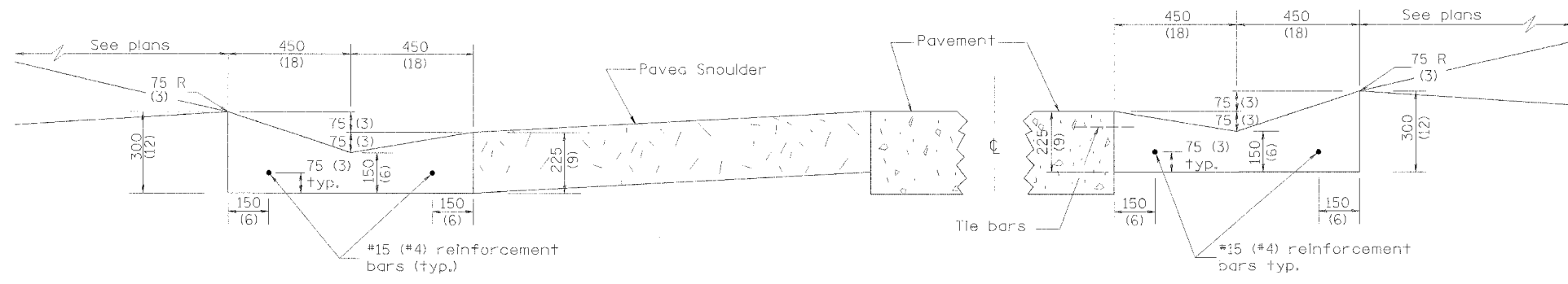


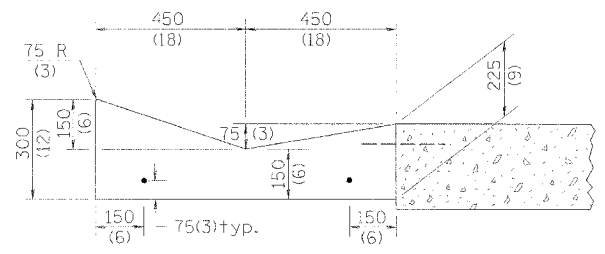
F.A. RTE.	SECTION	COUNTY	TOTAL SHEETS	SHEET NO.
			1360	1079
STA.	TO STA.			
FED. ROAD DIST. NO.	ILLINOIS	FED. AID PROJECT		



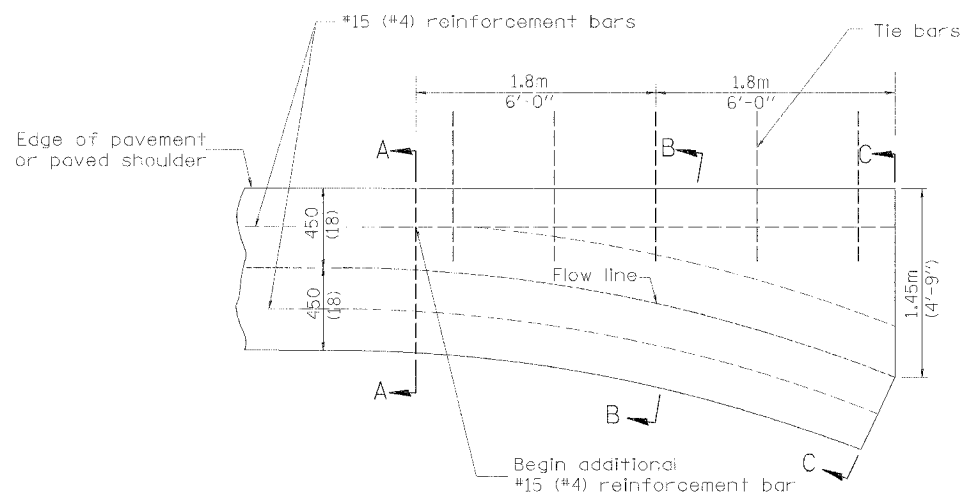
SHOULDER EDGE GUTTER

TYPE A GUTTER (MODIFIED)

PAVEMENT EDGE GUTTER



SECTION A-A

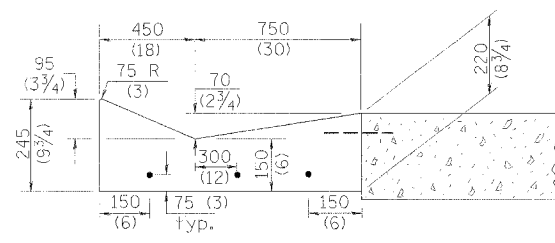


PLAN

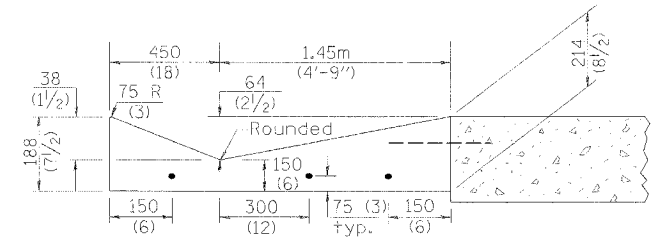
QUANTITY	
Section C-C to A-A	m ³ (cu. yd.) concrete.

GENERAL NOTES:

1. TYPE A GUTTER (MODIFIED) shall conform to the applicable portions of Section 606.
2. Tie bars shall be No. 20 (No. 6) at 600mm (24") centers unless otherwise shown.
3. Gutter, gutter inlets, gutter outlets, and gutter entrances shall be tied to rigid pavement in accordance with details shown on Standard 420001.
4. Joints shall be constructed in accordance with Article 606.06.
5. Welded wire fabric shall conform to Article 1006.10(c)(1), and shall not be less than 2.83 kg/m² (58 lbs/100 sq.ft.).



SECTION B-B



SECTION C-C

INLET

DESIGNER NOTE:
1. INCLUDE STATE STANDARD 420001.
2. INCLUDE DISTRICT SPECIAL PROVISION.

QUANTITIES	
CALC. BY:	DATE:
CHECKED BY:	DATE:
QUANTITY CALCULATIONS ARE ON FILE AT THE DISTRICT 4 OFFICE; BUREAU OF PROJECT IMPLEMENTATION; DOCUMENTATION SECTION	

All dimensions are in millimeters (Inches) unless otherwise noted.

ILLINOIS DEPARTMENT OF TRANSPORTATION	
DISTRICT CADD STANDARD	
TYPE A GUTTER, (MODIFIED)	
(INLET, OUTLET & ENTRANCE)	
CADD STANDARD 606101-D4 SHEET 1 OF 3	
SCALE: NOT DRAWN TO SCALE	DRAWN BY: CADD
DATE: \$\$\$DATE\$\$\$	CHECKED BY:

DATE	REVISIONS	BY
1-1-97	RENUM. A-1.02, NEW REVISION BOX, ELIMINATED EXPANSION ANCHOR TIES.	T.P.