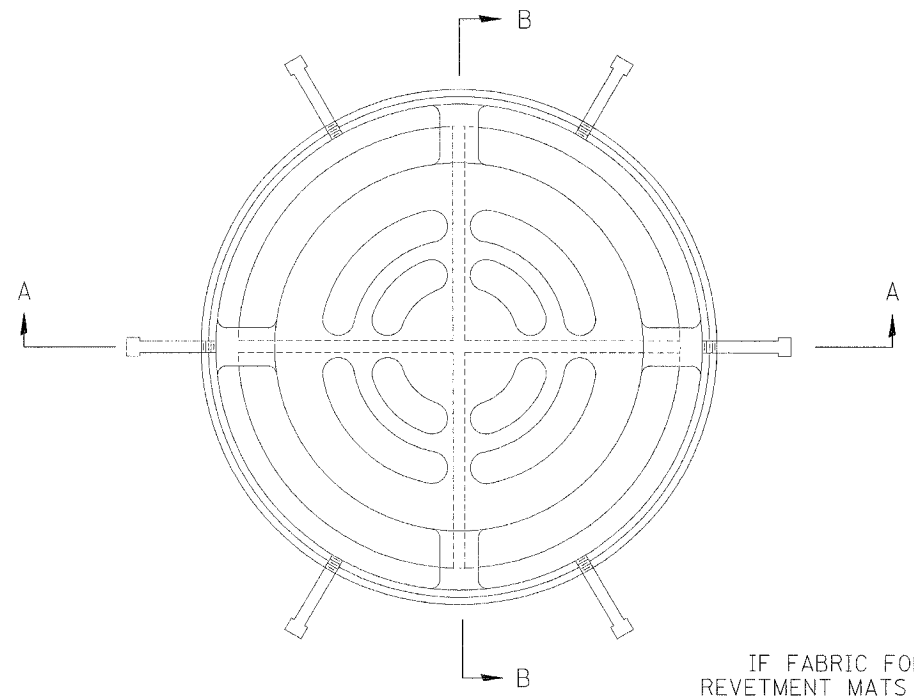
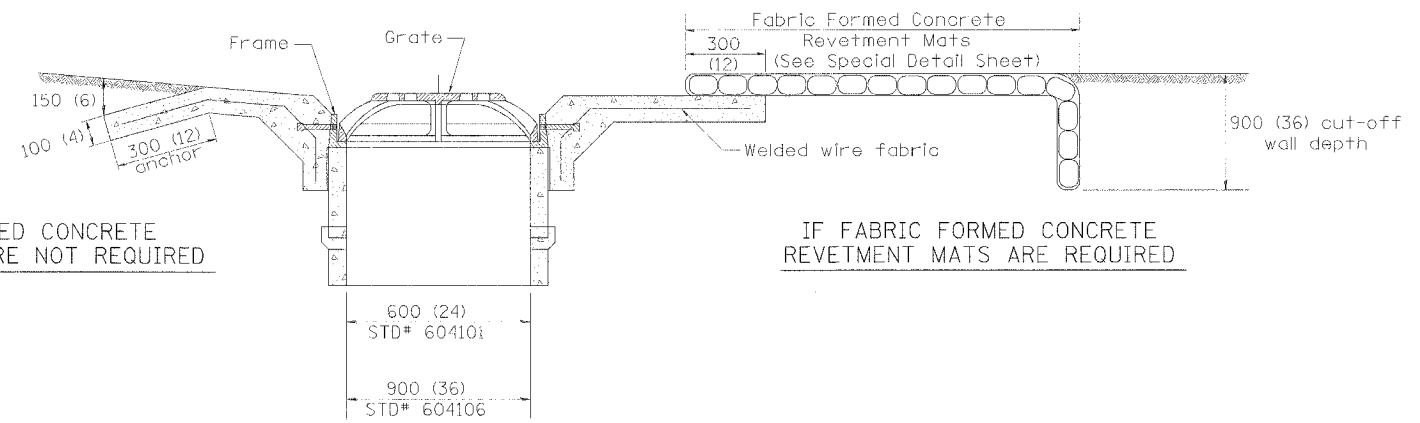


F.A. RITE.	SECTION	COUNTY	TOTAL SHEET No.
			1360 / 1078
STA.	TO STA.		
FED. ROAD DIST. NO.	ILLINOIS FED. AID PROJECT		



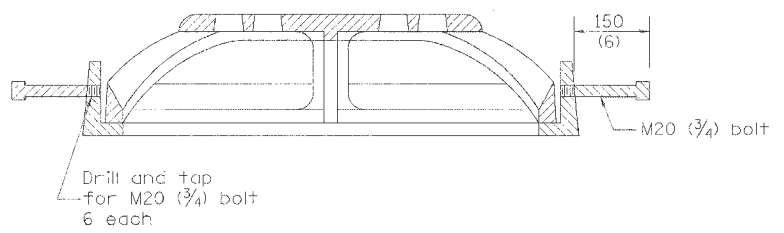
PLAN  
(STD# 604101 & 604106)



IF FABRIC FORMED CONCRETE REVETMENT MATS ARE NOT REQUIRED

IF FABRIC FORMED CONCRETE REVETMENT MATS ARE REQUIRED

SECTION B-B  
(STD# 604101 & 604106)



SECTION A-A  
(STD# 604101 & 604106)

GENERAL NOTES

- The applicable portions of Highway Standards 604101 and/or 604106 shall apply, except as noted herein.

All dimensions are in millimeters (inches) unless otherwise noted.

ILLINOIS DEPARTMENT OF TRANSPORTATION  
DISTRICT CADD STANDARD

DATE	REVISIONS	BY
1-1-97	RENUM. B-4.09, NEW REVISION BOX, REVISED DESIGNER NOTES.	T.P.

MEDIAN INLET (604101), SPECIAL AND  
MEDIAN INLET (604106), SPECIAL  
CADD STANDARD 604101-D4  
SCALE NOT TO SCALE  
DATE \*\*DATE\*\*  
DRAWN BY CADD  
CHECKED BY

604101-D4

Designer Notes: 1. This is to be used to supplement Standard 604101 and/or 604106.  
 2. If fabric formed concrete revetment mats are used, include District CADD drawing.  
 3. Include District Special Provision.  
 \*\*DATE\*\*

\*EQU-DWG-Y\*