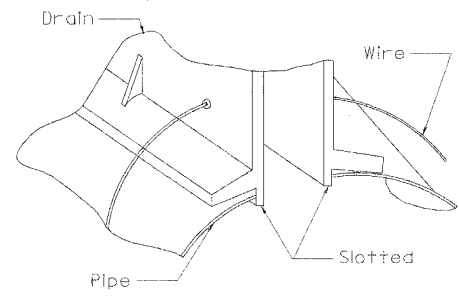
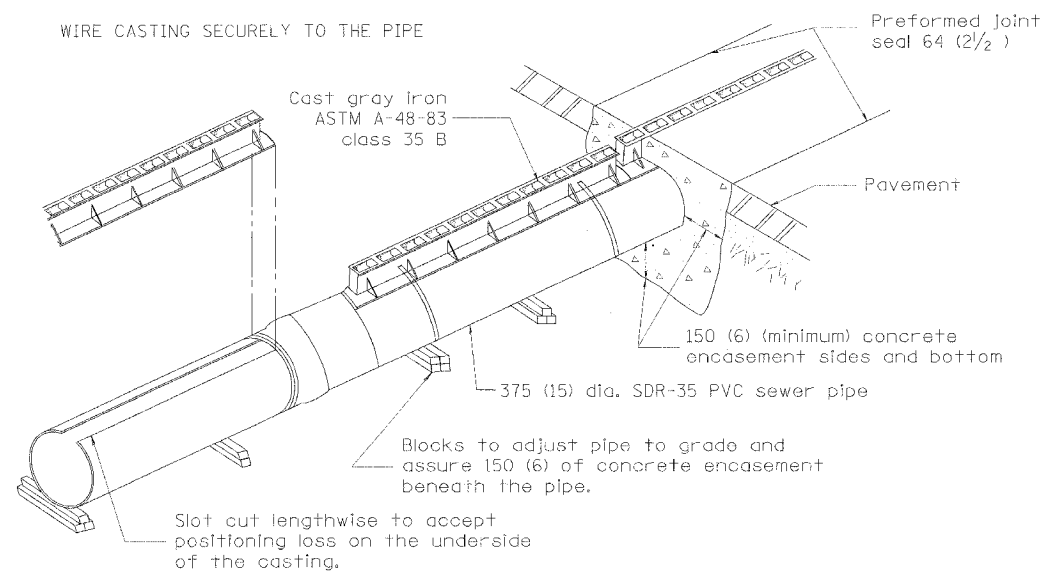
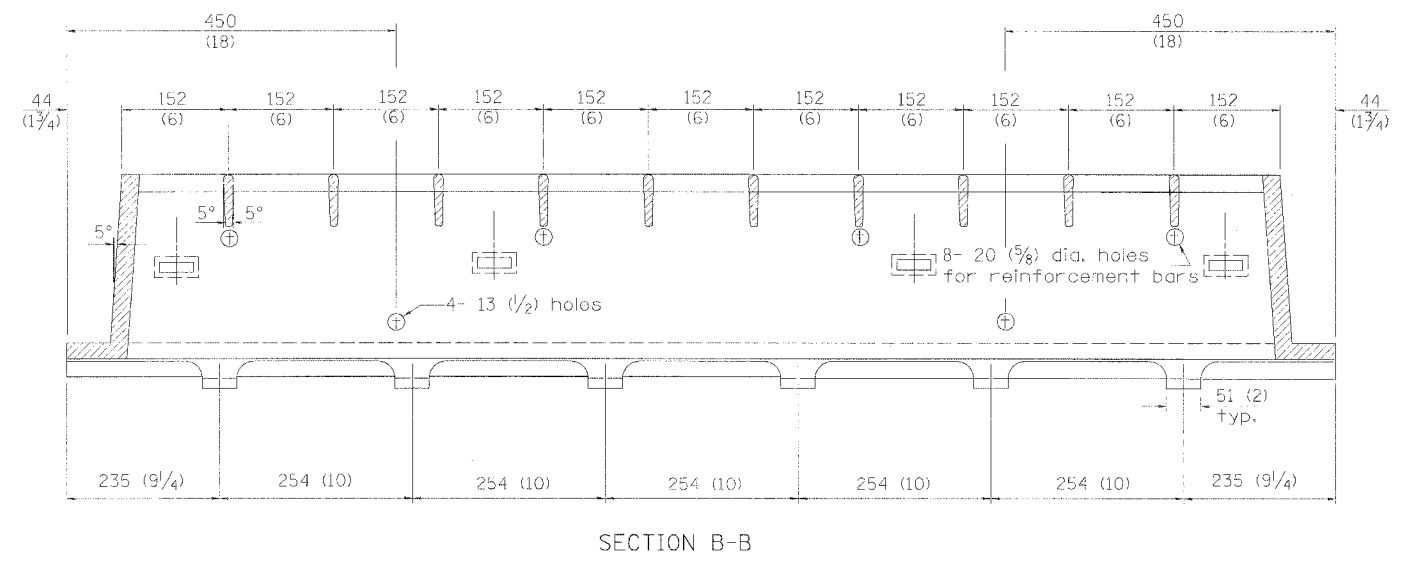
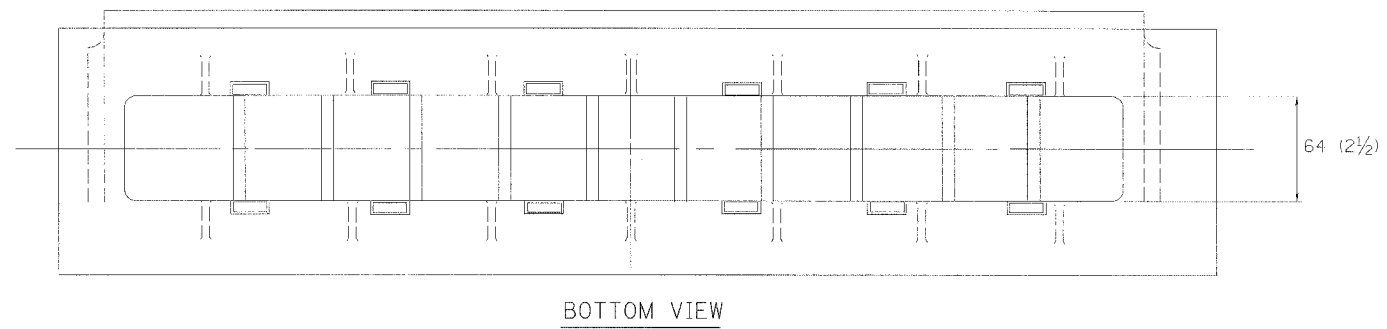
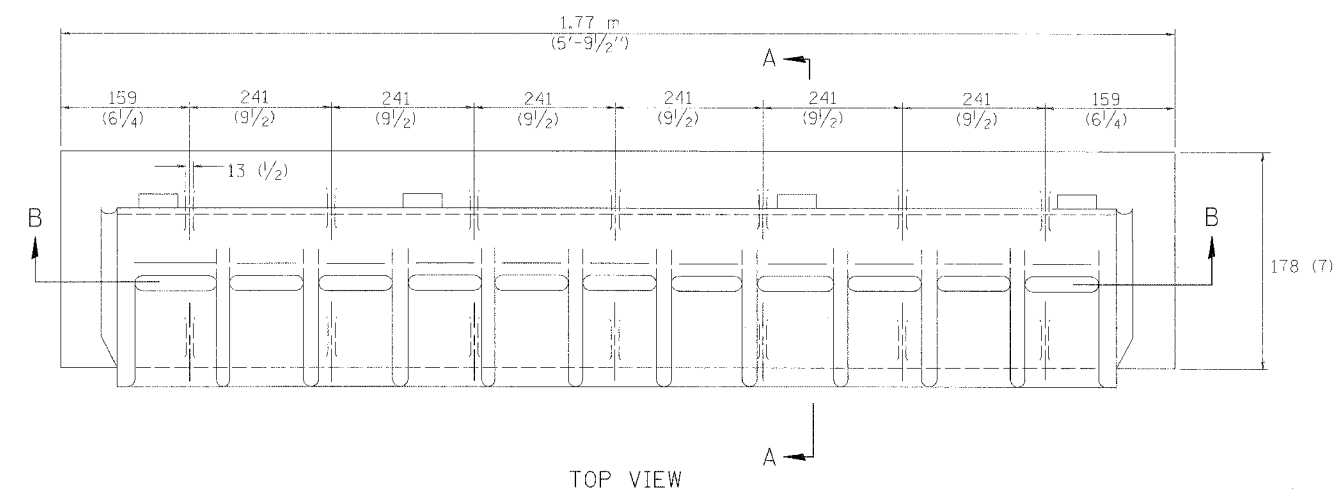
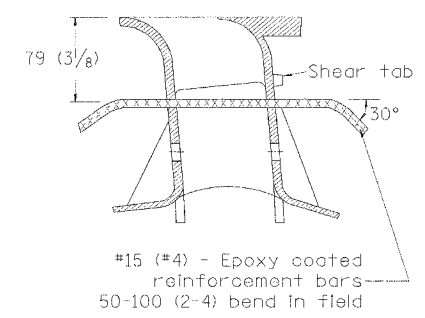
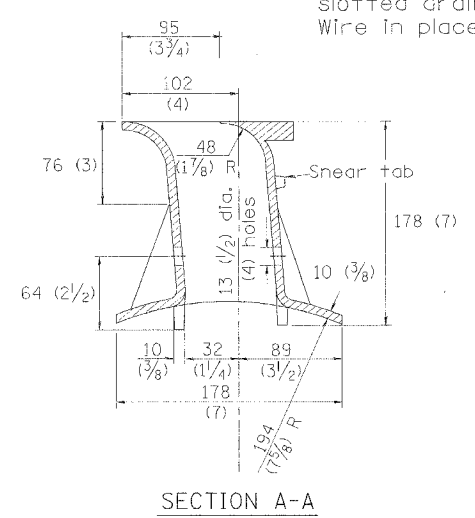


F.A. RTE.	SECTION	COUNTY	TOTAL SHEET SHEETS NO.
			1360 / 1077
STA.	TO STA.		
FED. ROAD DIST. NO.	ILLINOIS	FED. AID PROJECT	



NOTE:  
Saw slot in pipe. Insert slotted drain in pipe. Wire in place.



All dimensions are in millimeters (inches) unless otherwise noted.

ILLINOIS DEPARTMENT OF TRANSPORTATION  
DISTRICT CADD STANDARD

**SLOTTED VANE DRAIN**

CADD STANDARD 601701-D4  
SCALE: NOT TO SCALE  
DATE: ##DATE##

DATE	REVISIONS	BY
1-1-97	RENUM. B-4.10, NEW REVISION BOX	T.P.

601701-D4

R3599

Designer Note: 1. This drawing is based upon c 1985 Neenah drawing (New Products D -0002). Contact Neenah for new shop drawing prior to inclusion in plans.

\$\$\$DATE\$\$\$

\*06\*-ONLY\*