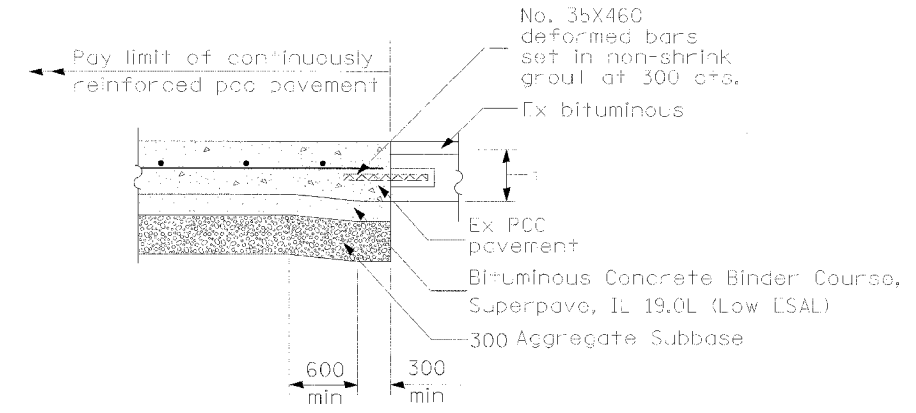
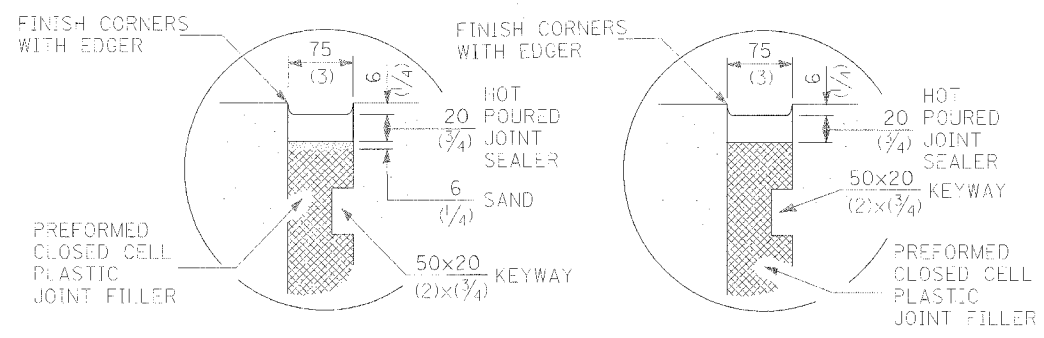


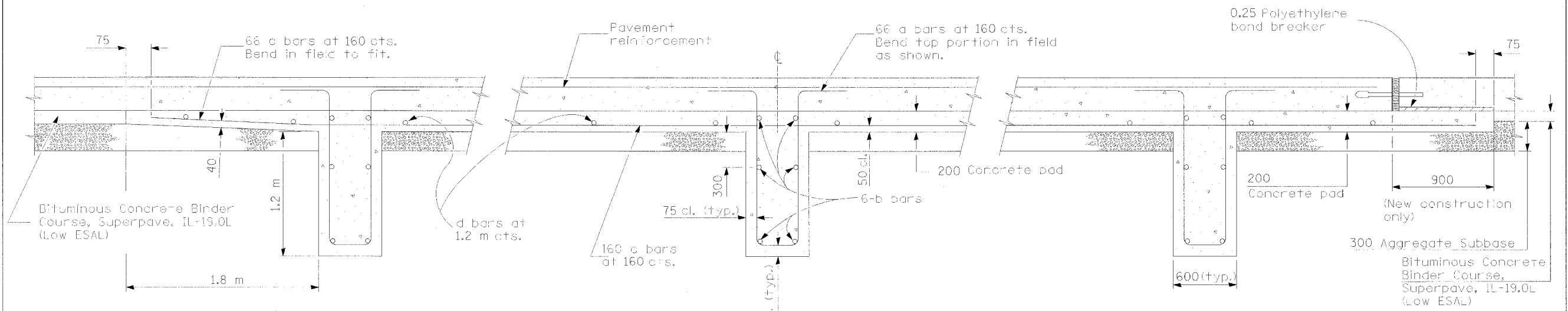
F.A. RTE.	SECTION	COUNTY	TOTAL SHEETS	SHEET NO.
			1360	1065
STA.		TO STA.		
FED. ROAD DIST. NO.	ILLINOIS	FED. AID PROJECT		



SECTION B-B
(Showing reinforcement)



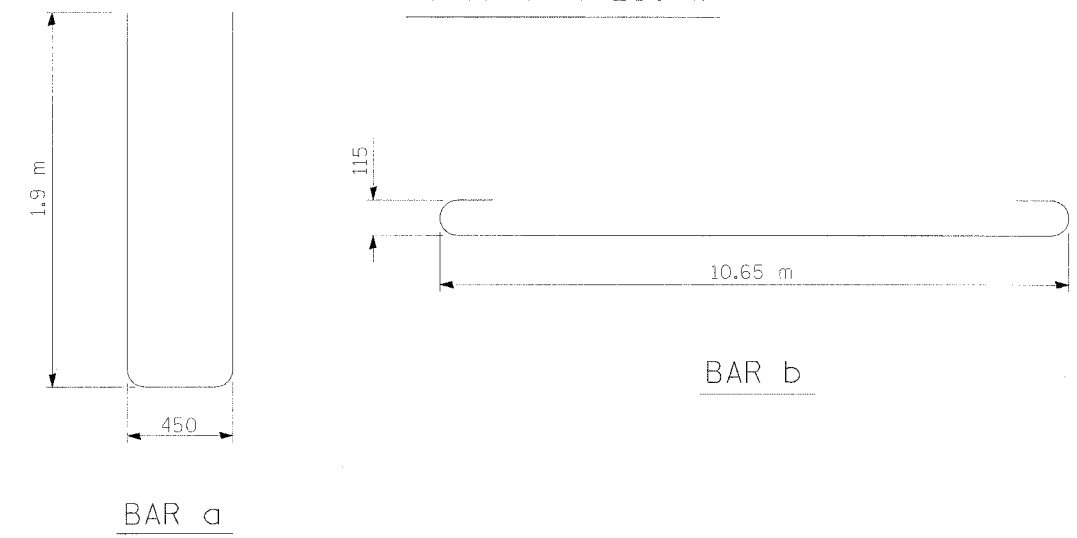
DETAIL A
SEALING DETAIL



SECTION AT LUG W

SECTION AT LUG X

SECTION AT LUG Y



MATERIALS REQUIRED FOR (1) ONE LUG SYSTEM
(Excluding Pavement Concrete and Pavement Reinforcement)

Bar	No.	Size	Length	Shape
a	198	No. 25	4.25 m	
b	18	No. 16	11.30 m	
c	198	No. 16	6.10 m	
c	42	No. 13	3.52 m	

Concrete, m ³	23.3
Reinforcing Bars, kg	5695
Concrete Pad, m ²	155.5
Aggregate Subbase, m ²	168.5

All dimensions are in millimeters unless otherwise shown.

REVISIONS		ILLINOIS DEPARTMENT OF TRANSPORTATION I-74 PROJECT STANDARD 421206-174 10.8 m CRC PAVEMENT (WITH LUG SYSTEM) (Sheet 2 of 2) DRAWN BY CHECKED BY
NAME	DATE	
INC. COMMENTS	3/7/02	
REM. ENGL.	3/22/03	
H.S. 2004	9/30/03	
NOTE - 30M	10/6/03	
REV & ADD SEC B-B	11/4/04	

DATE 09/21/01