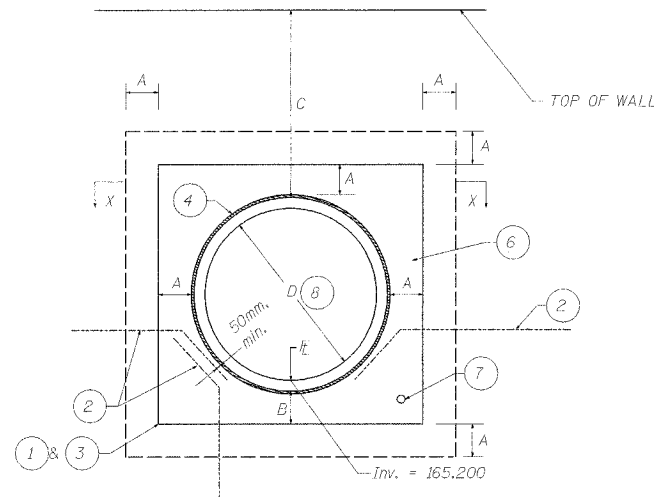


STATE OF ILLINOIS  
DEPARTMENT OF TRANSPORTATION

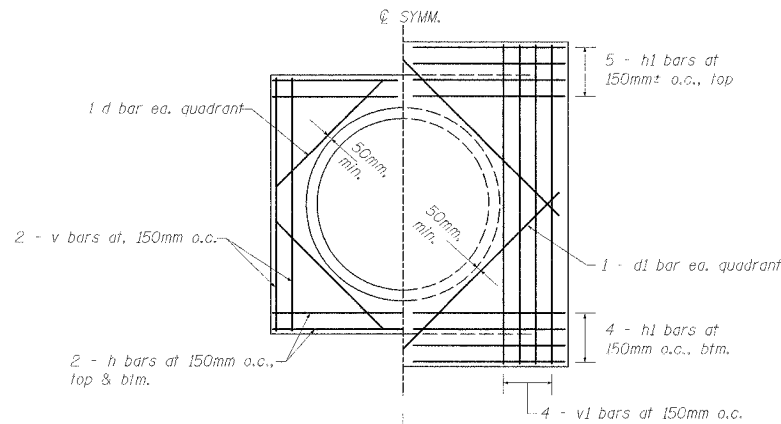
ROUTE NO.	SECTION	COUNTY	TOTAL SHEETS	SHEET NO.
F.A.I. 74	472-71R-3	PEORIA	1360	1056
FED. ROAD DIST. NO. 7	ILLINOIS	FED. AID PROJECT		

SHEET NO. 6  
OF 9 SHEETS

Contract No. 68200



**DETAIL A**  
**FRONT ELEVATION VIEW**  
**(IN FLUME AT NEW PIPE PENETRATION)**  
**Sta. 10+185.019, 10.683 m RT**



SHOWING PORTION OF COLLAR PROTRUDING THROUGH WALL  
SHOWING PORTION OF COLLAR BEHIND WALL  
TYPICAL NEW REINFORCEMENT EACH FACE OF WALL (SEE ALSO 2)

NOTE:  
- ALL REINFORCEMENT BARS ARE NO. 15  
- MAINTAIN min. 50mm EDGE CLEARANCE

**NEW COLLAR REINFORCING**

**KEY NOTES**

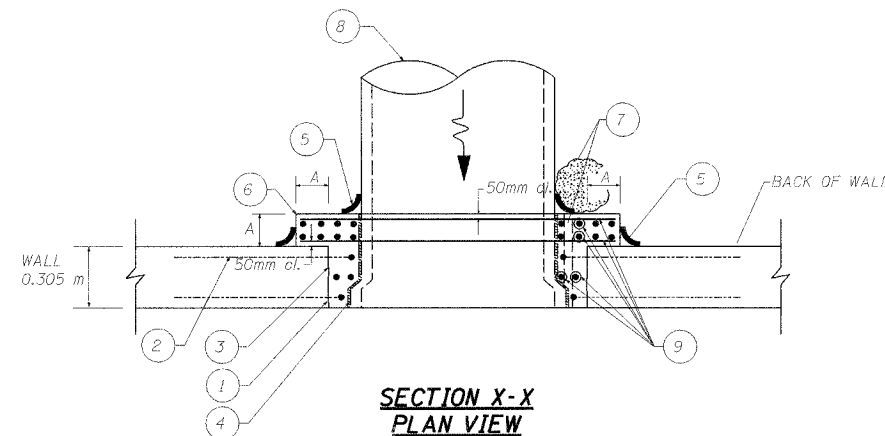
- Removal of existing concrete structures shall be in accordance with Article 501.03 of the Standard Specifications. Saw cut the perimeter of the area to be removed, on both faces of concrete. Clean and incorporate newly exposed reinforcement bars into the new work.
- Cut existing bars at center of opening and field bend to provide a 50 mm min. clearance to edges of new concrete.
- Bonded construction joint between new and old concrete at perimeter of cut opening.
- 25 mm preformed joint filler shall be used in accordance with Article 503.10(b) of the Standard Specifications, continuous full perimeter and depth of pipe penetration through the new collar.
- The entire backside perimeter of joints between pipe and collar, and between collar and existing concrete, mastic joint sealer shall be used, in accordance with Section 1055 of the Standard Specifications.
- New concrete collar.
- 75 mm drain hole through collar with fabric wrapped granular drainage pocket behind wall in accordance with Article 502.10 of the Standard Specifications.
- New storm sewer.
- New reinforcement: See Table & Reinforcement Detail.

**DIMENSIONS**

A = 305 mm, min.  
D = New storm sewer size, see table  
E = New storm sewer invert elevation at discharge through wall, see table  
B = 305 mm, min., except do not cut below top of floor slab.  
C = Exist. wall above top of new pipe outer barrel (ignoring pipe bell) ±. See table.

**NOTES:**

Costs of 1 & 2 included in concrete removal.  
Costs of 3, 4, 5, 6, & 7 included in concrete structures.  
Excavation will not be measured for payment.



**SECTION X-X**  
**PLAN VIEW**

**BILL OF MATERIALS**

LOCATION	D	C	FL. Elev	Ref	# 15 Reinforcing Bars (number & Length in mm)										Reinforcement Bars kg	Concrete Structures m <sup>3</sup>	Concrete Removal m <sup>3</sup>		
					d	v	h	d1	v1	h1	kg	m <sup>3</sup>	m <sup>3</sup>						
Flume					No	∅L	No	∅L	No	∅L	No	∅L	No	∅L	No	∅L			
C3 10+185.019	305	0.792	165.20	A	4	650	4	920	4	920	8	1070	16	1525	18	1525	110	1.0	0.3
																Totals	110	1.0	0.3

DESIGNED	GEK
CHECKED	
DRAWN	GEK
CHECKED	

**STORM SEWER PIPE PENETRATION DETAILS**  
**RAMP C-3 OVER DRY RUN CREEK**  
**F.A.I. RTE 74(I-74) SECTION (72-7)R-3**  
**PEORIA COUNTY**  
**STA. 10+190.00 TO STA. 10+277.94 (RAMP C-3)**  
**STRUCTURE NUMBER 072-8619 - WALL 18C**



111 NE Jefferson Ave.  
Peoria, Illinois 61602  
Ph(309)676-8464  
FAX(309)676-5445