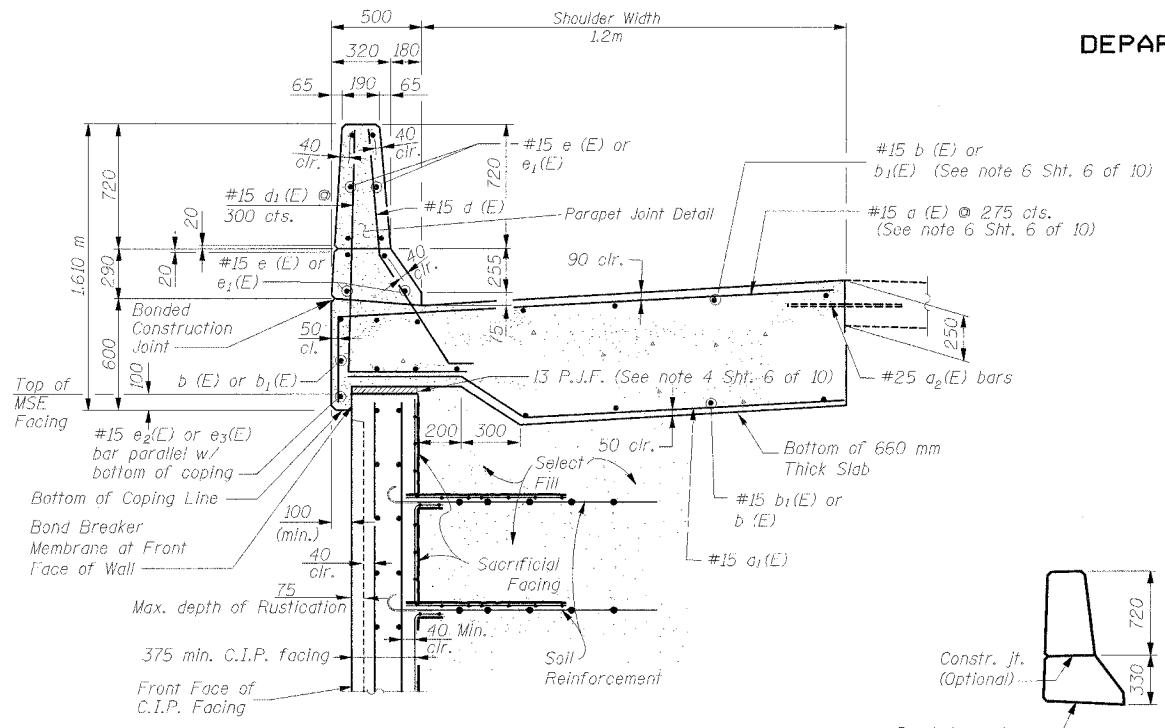


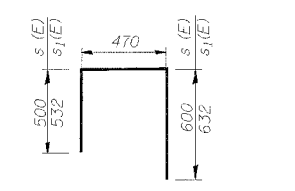
STATE OF ILLINOIS
DEPARTMENT OF TRANSPORTATION

ROUTE NO.	SECTION	COUNTY	TOTAL SHEETS	SHEET NO.	SHEET NO. 7 OF 10 SHEETS
F.A.I. 74	(72-7)R-3	PEORIA	1340	1045	
FED. ROAD DIST. NO. 7	SUBPHASE	FED. AID PROJECT			

Contract No. 68200

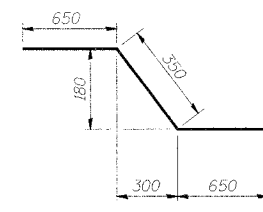


DETAIL AT TOP OF MSE WALL

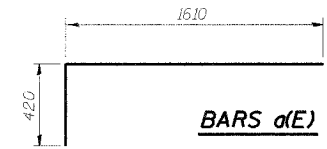


BARS s(E) & s1(E)

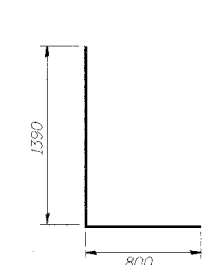
Note: Contractor to verify MSE wall thickness prior to fabricating bars s(E) & s1(E)



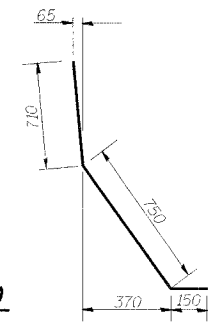
BAR a1(E)



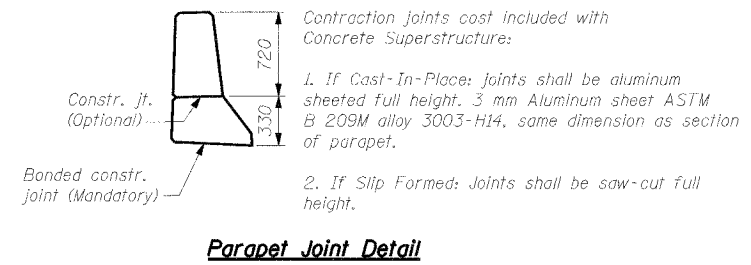
BARS d(E)



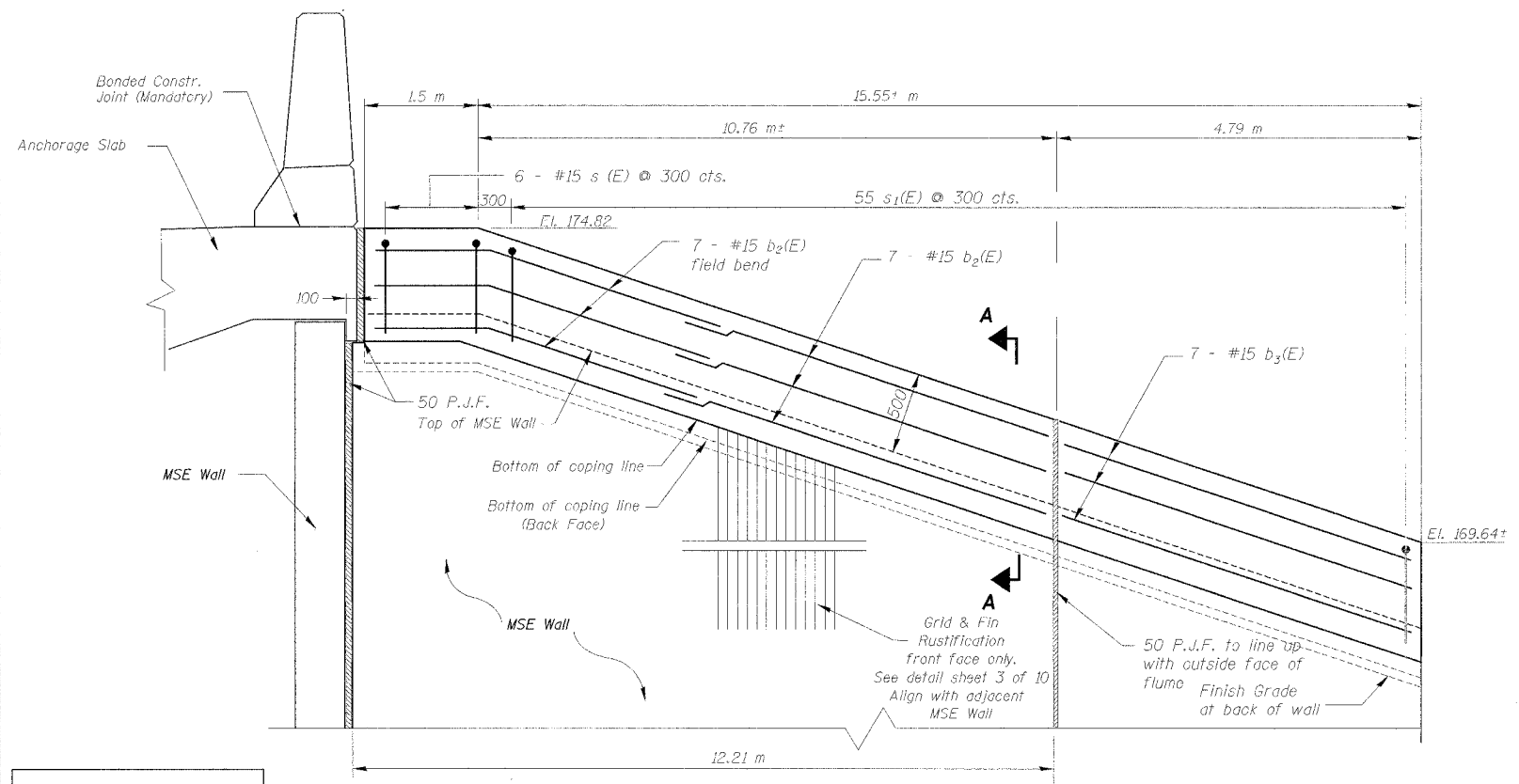
BAR d1(E)



BAR d(E)

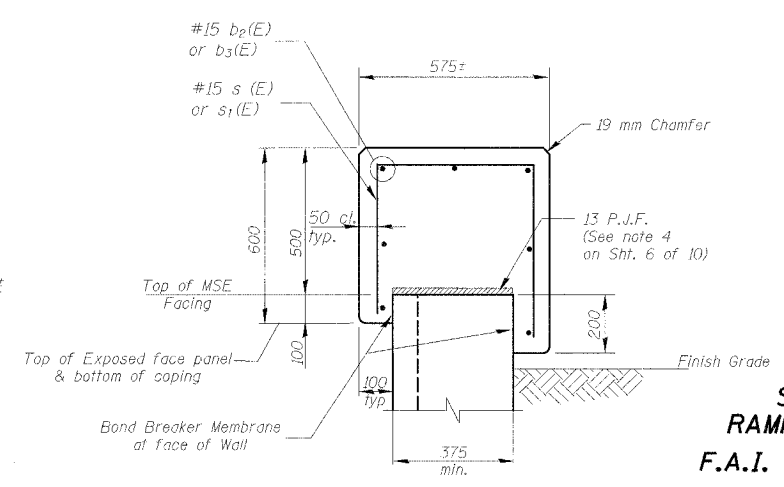


Parapet Joint Detail



ELEVATION C.I.P. MSE WALL CAP

(Over Culvert looking south)
Chain Link Fence not shown for clarity



SECTION A-A

SECTIONS AND DETAILS
RAMP C-3 OVER DRY RUN CREEK
F.A.I. RTE 74(I-74) SECTION (72-7)R-3
PEORIA COUNTY
STA. 10+442.15 TO STA. 10+575 (RAMP C-3)
STRUCTURE NUMBER 072-8618 - WALL 18B

DESIGNED	GEK
CHECKED	
DRAWN	GEK
CHECKED	

111 NE Jefferson Ave.
Peoria, Illinois 61602
Ph(309)676-8464
FAX(309)676-5445