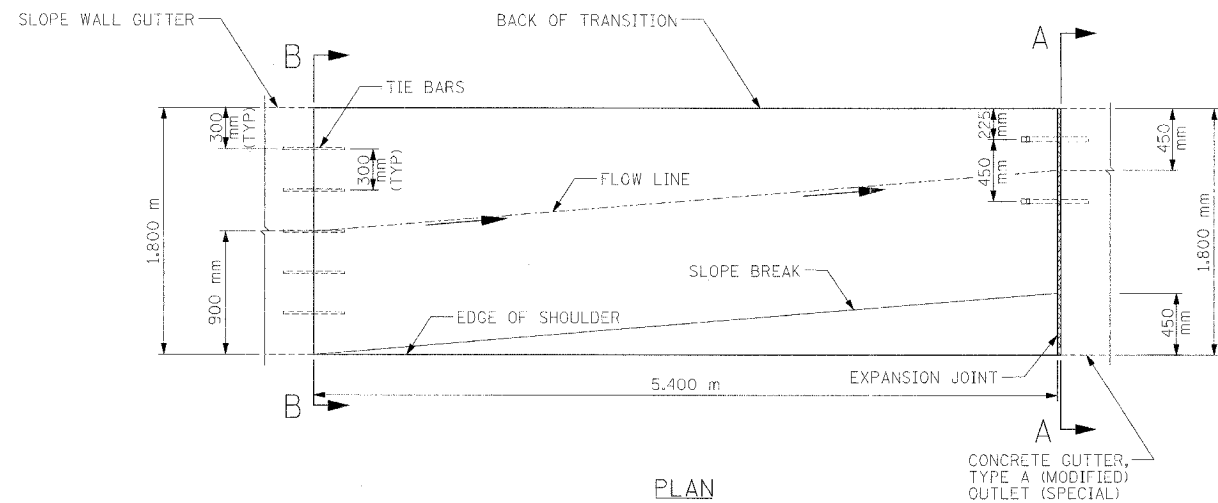


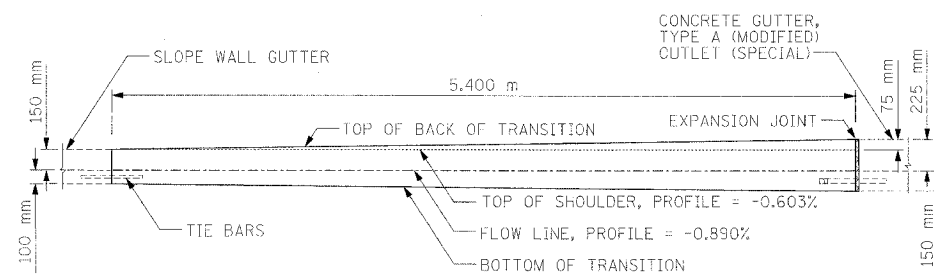
F.A.I. RTE.	SECTION	COUNTY	TOTAL SHEETS	SHEET NO.
74	*	PEORIA	136	1017
STA.		TO STA.		
FED. ROAD DIST. NO.		ILLINOIS	FED. AID PROJECT	

• (72-7R-3)



PLAN

WB LT. STA. 145+367.732 TO STA. 145+373.193 (GALE AVENUE BRIDGE)



ELEVATION

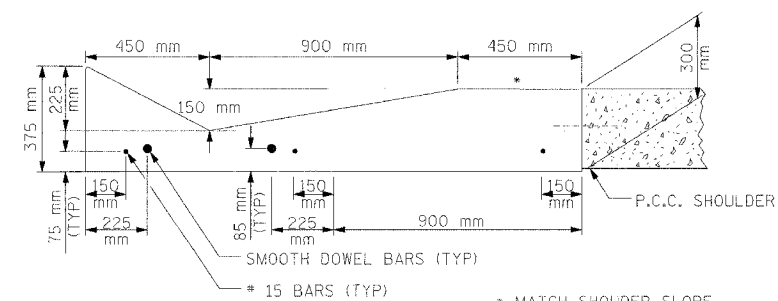
WB LT. STA. 145+367.732 TO STA. 145+373.193 (GALE AVENUE BRIDGE)

GUTTER TRANSITION DETAIL

TRANSITION FROM SLOPE WALL GUTTER TO CONCRETE GUTTER, TYPE A (MODIFIED) OUTLET (SPECIAL)

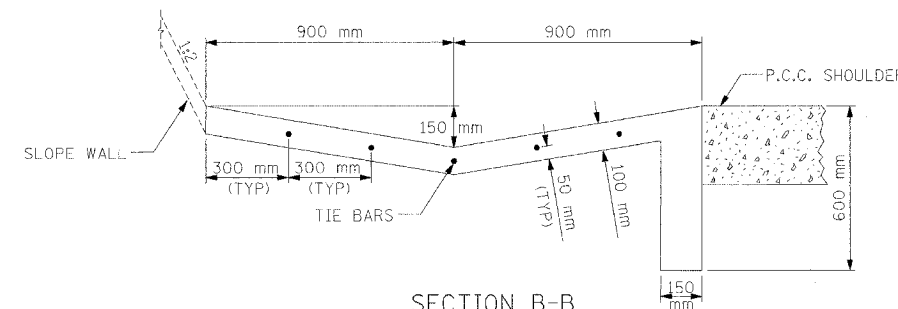
NOTES:

1. DETAILS NOT TO SCALE.
2. TRANSITION IS PAID AS CONCRETE GUTTER, TYPE A (MODIFIED).
3. SEE DISTRICT CADD STANDARD 606101-D4 FOR GUTTER DETAILS NOT SHOWN.
4. TRANSITION SHALL BE TIED TO THE P.C.C. SHOULDER IN ACCORDANCE WITH DETAILS FOR LONGITUDINAL CONSTRUCTION JOINT SHOWN IN STANDARD 420001.
5. TIE BARS SHALL BE NO. 20 AT 300 mm CENTERS UNLESS OTHERWISE SHOWN.

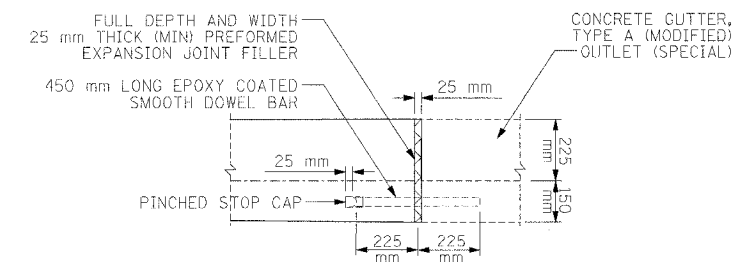


SECTION A-A

* MATCH SHOULDER SLOPE



SECTION B-B



EXPANSION JOINT DETAIL
ELEVATION

REVISIONS		ILLINOIS DEPARTMENT OF TRANSPORTATION
NAME	DATE	
		MISCELLANEOUS ROADWAY DETAILS GUTTER TRANSITION DETAIL (W.B. 1-74)



DATE 11/23/04

DRAWN BY RDY
CHECKED BY LSA