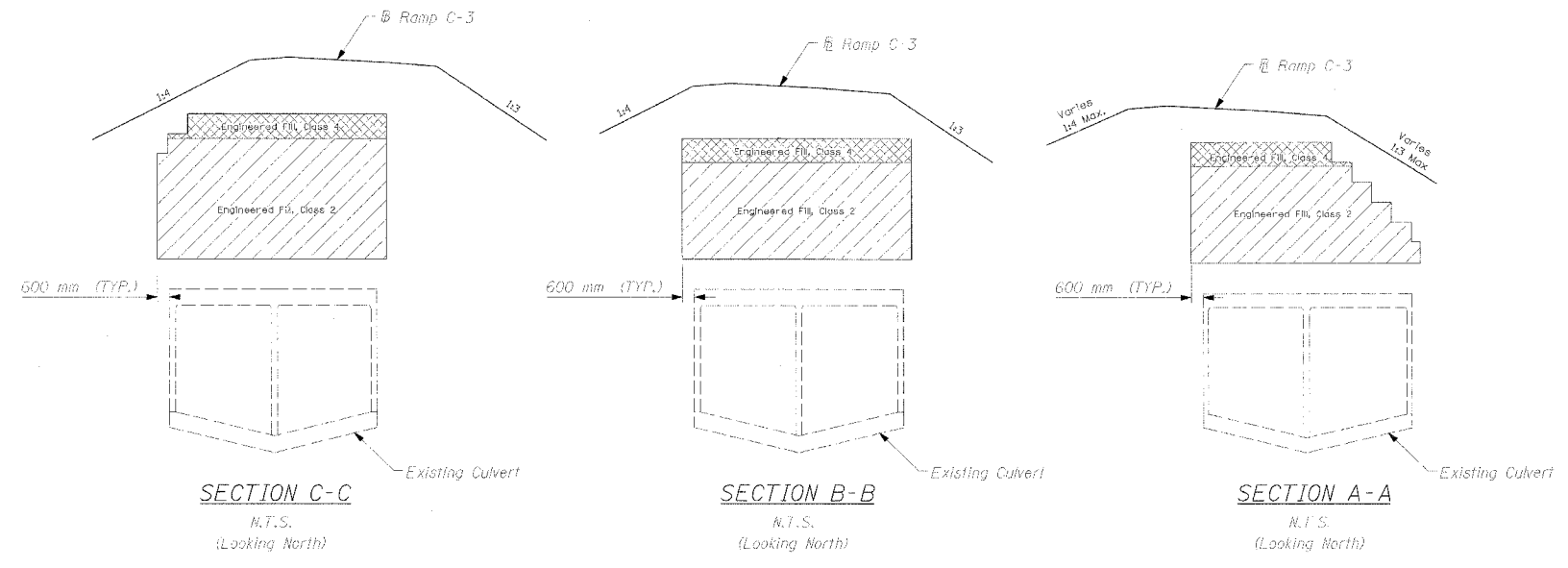
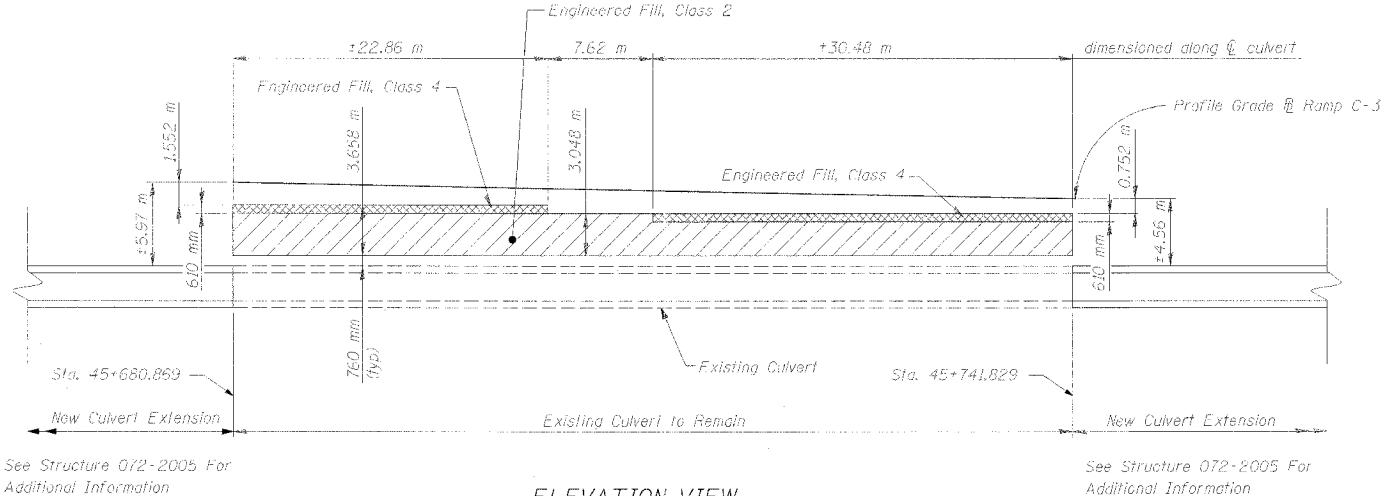
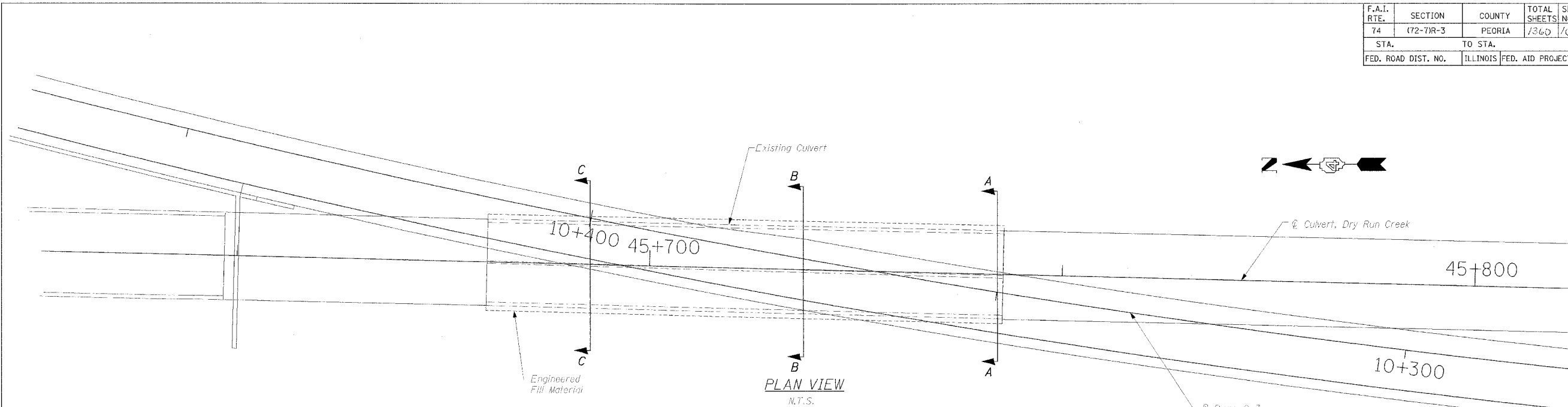


F.A.I. RTE.	SECTION	COUNTY	TOTAL SHEETS	SHEET NO.
74	(72-7)R-3	PEORIA	1360	1095
STA.	TO STA.			
FED. ROAD DIST. NO.	ILLINOIS	FED. AID PROJECT		



- NOTES:
- MINIMUM 1 M FILL OVER ENGINEERED FILL MATERIAL, CLASS 2 & 4.

REVISIONS		ILLINOIS DEPARTMENT OF TRANSPORTATION ENGINEERED FILL DETAILS CULVERT 072-2005 F.A.I. ROUTE 74 (I-74)
NAME	DATE	

DATE 11/23/04

DRAWN BY BRP  
CHECKED BY RDY

