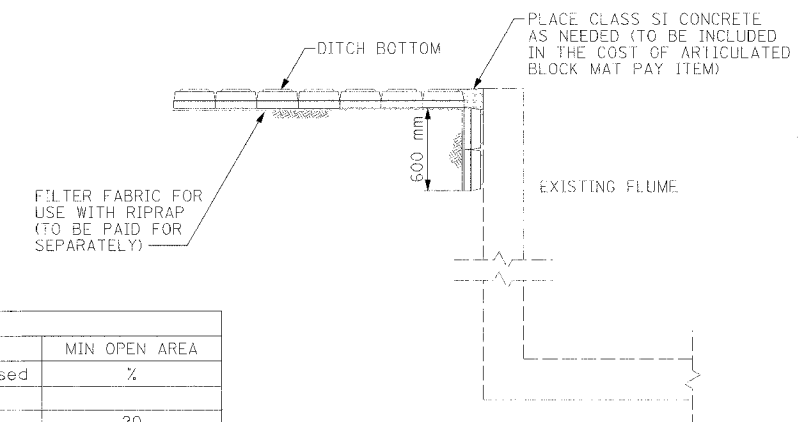
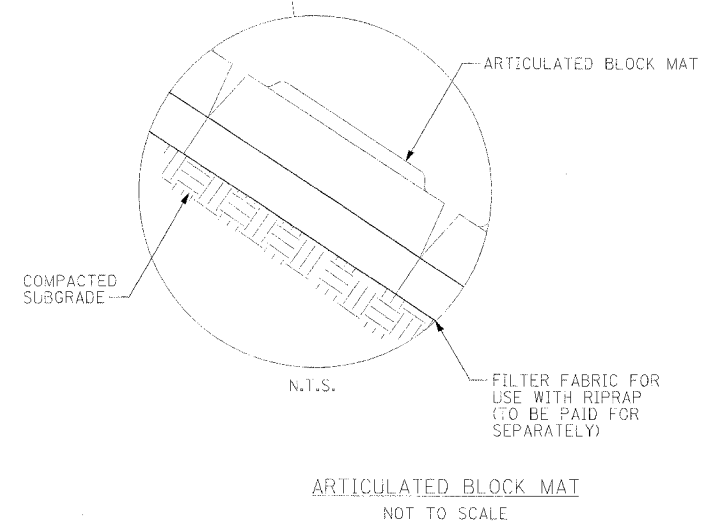
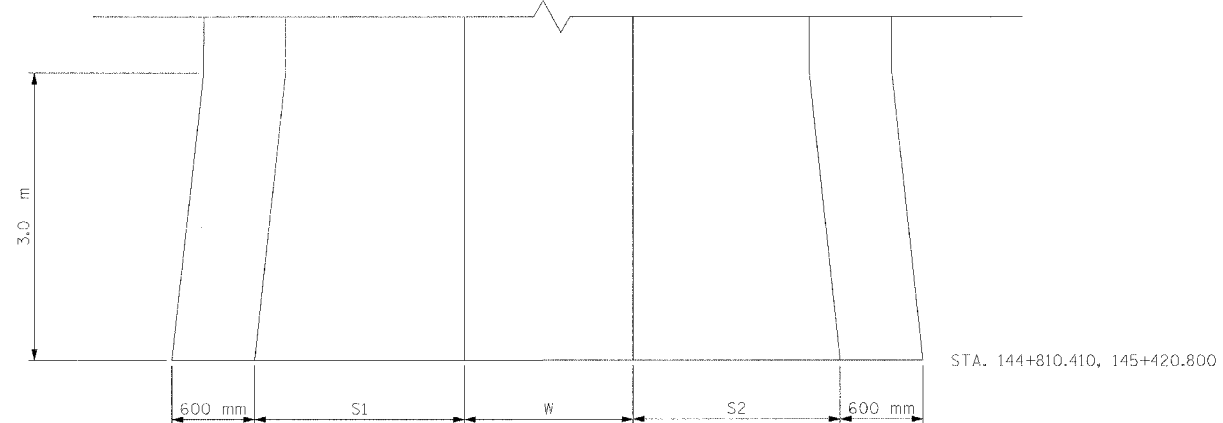
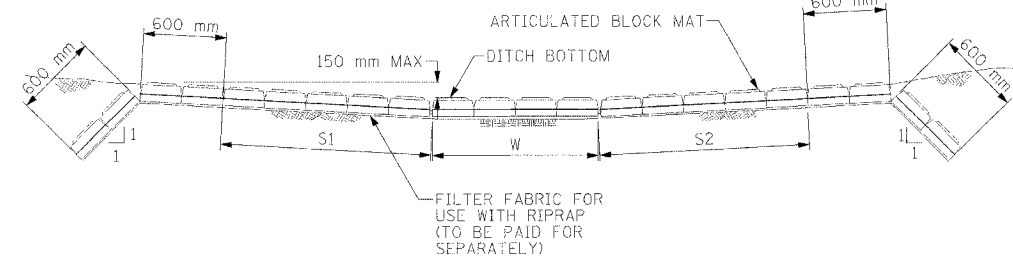
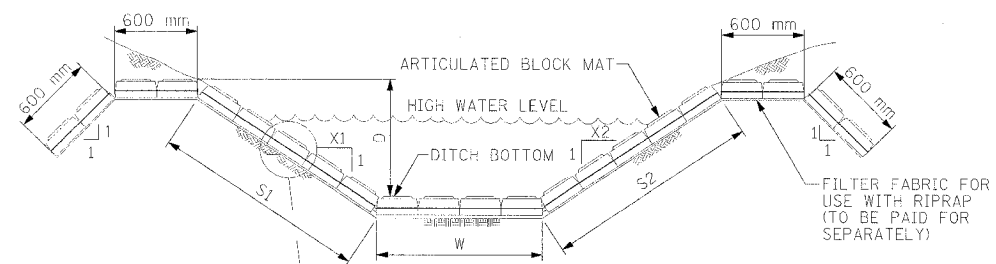


F.A.J. RTE.	SECTION	COUNTY	TOTAL SHEETS	SHEET NO.
74	(72-73R-3)	PEORIA	1360	1006
STA.	TO STA.			
FED. ROAD DIST. NO.	ILLINOIS	FED. AID PROJECT		



ARTICULATED BLOCK MAT SCHEDULE																			
LOCATION (STA. TO STA., LT./RT.)		X1	S1	W	S2	X2	D	WIDTH	LENGTH	AREA	MIN BLOCK SIZE	MIN BLOCK MASS	TYPE	MIN OPEN AREA					
			M	M	M	M	M	M	M	SQ M	SM	KG/M2	Open/Closed	%					
FAI ROUTE 74 WESTBOUND																			
144+802.973	15.921 LT.	TO	144+810.410	28.752	LT.	3	0.6	0.6	0.6	3	0.190	4.2	15.361	64.52	0.0973	152	Open	20	
145+384.431	16.265	LT.	TO	145+420.800	31.893	LT.	3	0.6	0.6	0.6	3	0.190	4.2	37.365	156.93	0.0973	152	Open	20
146+136.207	15.363	LT.	TO	146+147.126	21.236	LT.	3	0.6	0.6	0.6	3	0.190	4.2	12.156	51.06	0.0973	152	Open	20
RAMP C-3																			
10+300.000	17.367	RT.	TO	10+598.648	21.711	RT.	3	1.2	0.6	1.2	3	0.380	5.4	296.749	1602.44	0.0973	152	Open	20
10+575.000	21.971	LT.	TO	10+625.000	31.286	LT.	3	0.6	0.6	0.6	3	0.190	4.2	50.964	214.05	0.0973	152	Open	20

- NOTES:
- ARTICULATED BLOCK MAT INSTALLATION SHALL BE PER MANUFACTURERS INSTRUCTIONS.
 - ARTICULATED BLOCK MAT CELLS SHALL BE BACKFILLED AND COMPACTED PER MANUFACTURERS INSTRUCTIONS.
 - TOPSOIL FURNISH AND PLACE, 100 mm SHALL BE USED FOR THE TOP 100 mm OF BACKFILL. THE TOPSOIL SHALL BE SEED WITH SEEDING, CLASS 3. WORK TO BE PAID FOR SEPARATELY.
 - ANCHORING OF ARTICULATED BLOCK MAT SHALL BE ACCOMPLISHED BY SIDE SLOPE ANCHORING AS SHOWN IN THE ARTICULATED BLOCK MAT DETAIL.



REVISIONS		ILLINOIS DEPARTMENT OF TRANSPORTATION
NAME	DATE	
		ARTICULATED BLOCK MAT DETAIL

DATE 11/23/04

DRAWN BY CAM
CHECKED BY RDY

11/23/04 10:00:30 AM