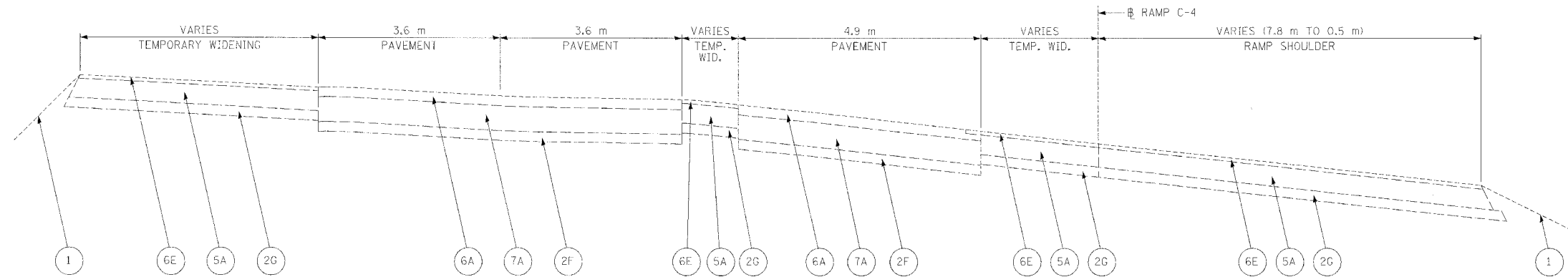
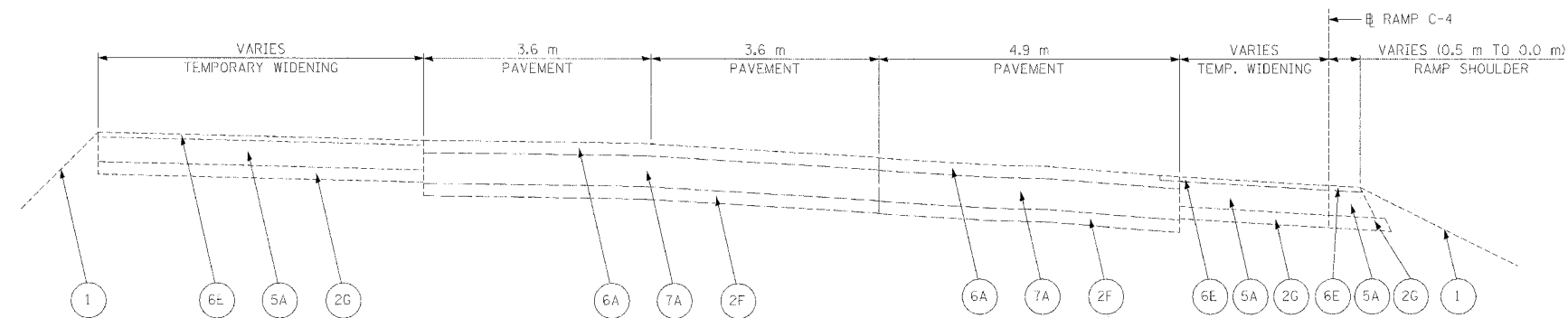


F.A.I. RTE.	SECTION	COUNTY	TOTAL SHEETS	SHEET NO.
74	(72-71R-3	PEORIA	1360	900
STA. 10+275.000		TO STA. 10+418.506		
FED. ROAD DIST. NO.	ILLINOIS		FED. AID PROJECT	

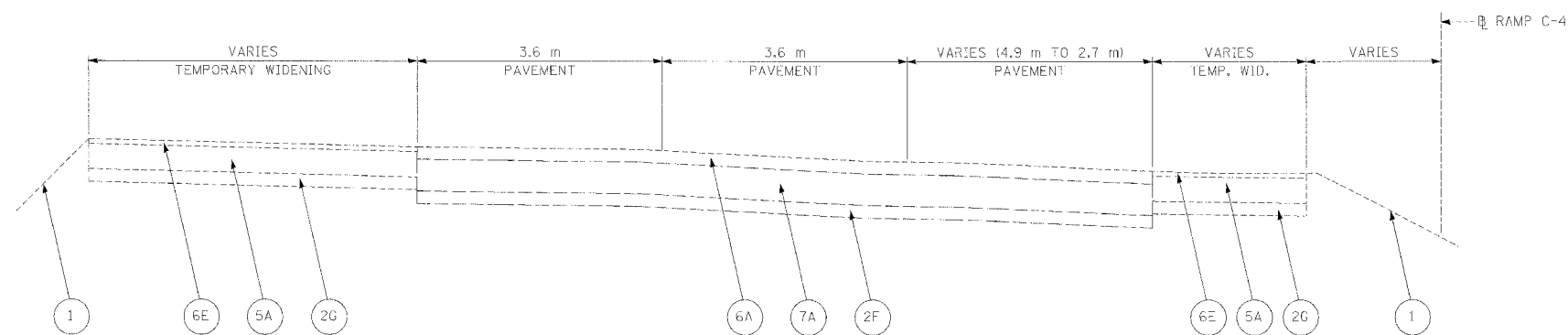


EXISTING RAMP TYPICAL SECTION C4-1
RAMP C-4 STA. 10+275.000 TO 10+379.488



EXISTING RAMP TYPICAL SECTION C4-2
RAMP C-4 STA. 10+379.488 TO 10+391.534

LEGEND	
1	EXISTING GROUND LINE
2F	EX SUB-BASE GRANULAR MATERIAL
2G	EX AGGREGATE BASE COURSE
5A	EX BIT. BASE COURSE 200 mm
6A	EX BITUMINOUS RESURFACING 75 mm
6E	EX BIT. CONCRETE SURFACE COURSE 38 mm
7A	EX PCC PAVEMENT 250 mm



EXISTING RAMP TYPICAL SECTION C4-3
RAMP C-4 STA. 10+391.534 TO 10+418.407

REVISIONS		ILLINOIS DEPARTMENT OF TRANSPORTATION
NAME	DATE	
		TYPICAL SECTIONS EXISTING RAMP C-4 STA. 10+275.000 TO 10+418.506



DATE 11/23/04
DRAWN BY MGM
CHECKED BY RBY