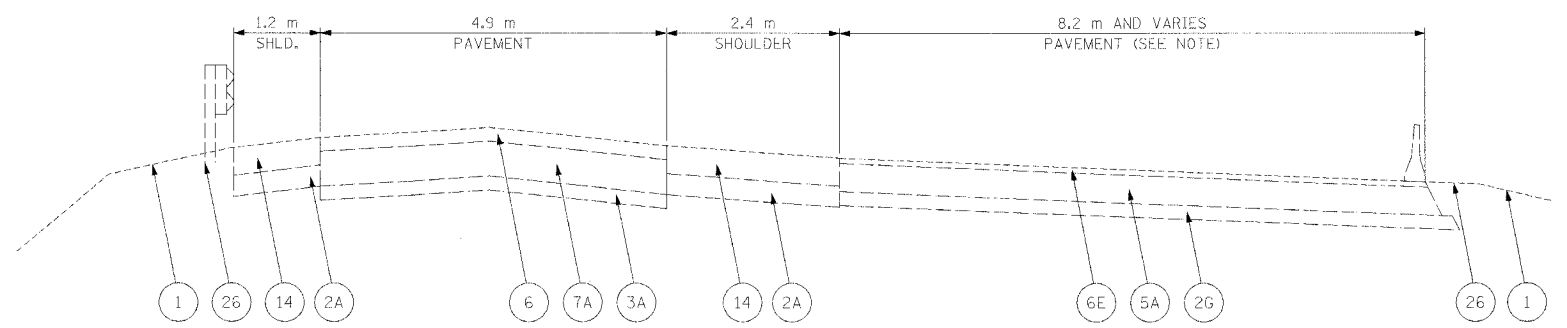


F.A.I. RTE.	SECTION	COUNTY	TOTAL SHEETS	SHEET NO.
74	172-DR-3	PEORIA	1360	899
STA. 10+472.230		TO STA. 10+598.650		
FED. ROAD DIST. NO.		ILLINOIS	FED. AID PROJECT	

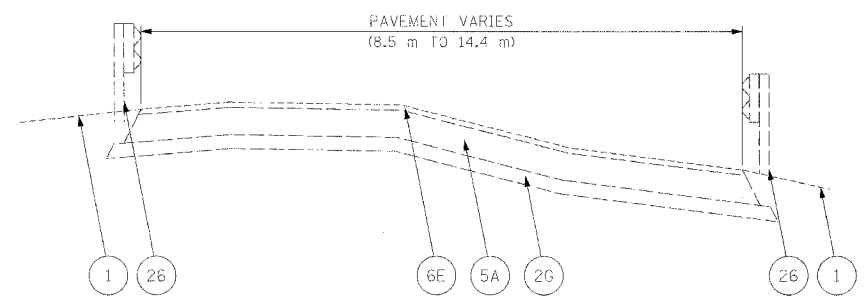


EXISTING RAMP TYPICAL SECTION C3-7
RAMP C-3 STA. 10+472.230 TO 10+575.000

NOTE:
PVMT. VARIES 0.0 m TO 8.2 m, STA. 10+472.230 TO 10+492.296,
ALSO VARIES 8.2 m TO 0.0 m, STA. 10+536.888 TO 10+575.000

LEGEND

- 1 EXISTING GROUND LINE
- 2A EX SUB-BASE GRANULAR MATERIAL 150 mm
- 2G EX AGGREGATE BASE COURSE
- 3A EX STABILIZED SUB-BASE 100 mm
- 5A EX BIT. BASE COURSE 200 mm
- 6 EX BITUMINOUS RESURFACING
- 6E EX BIT. CONCRETE SURFACE COURSE 38 mm
- 7A EX PCC PAVEMENT 250 mm
- 14 EX PCC SHOULDERS
- 26 EX GUARDRAIL



EXISTING RAMP TYPICAL SECTION C3-8
RAMP C-3 STA. 10+575.000 TO 10+598.650

REVISIONS		ILLINOIS DEPARTMENT OF TRANSPORTATION
NAME	DATE	
		TYPICAL SECTIONS EXISTING RAMP C-3 STA. 10+472.230 TO 10+598.650
DATE 11/23/04		DRAWN BY CAM CHECKED BY RDY

