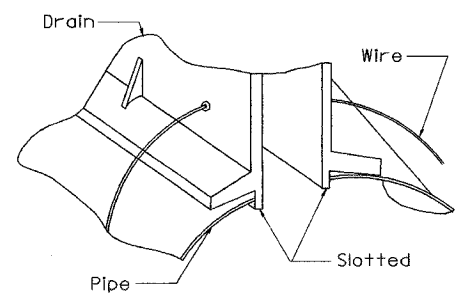
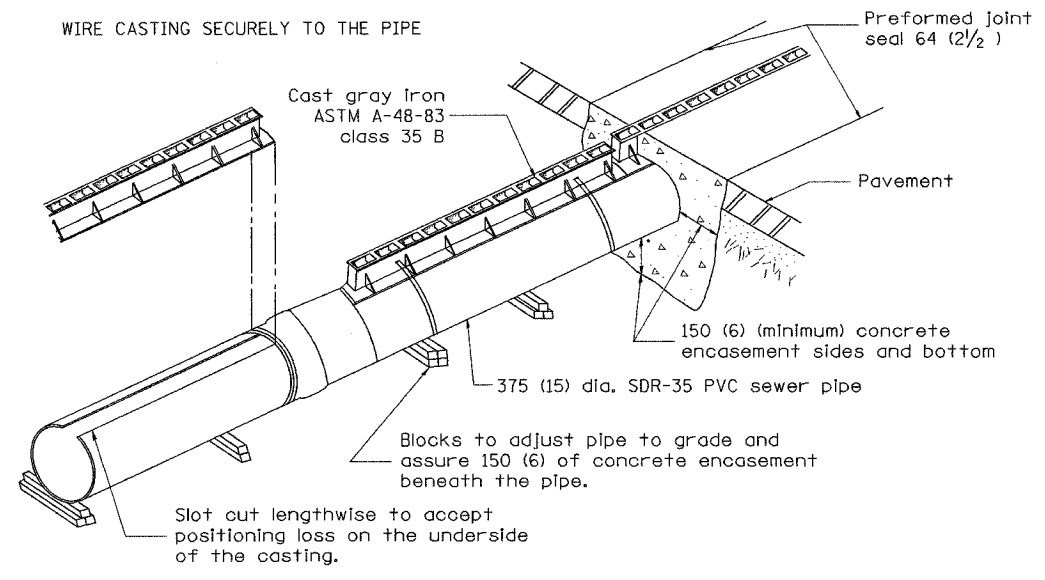
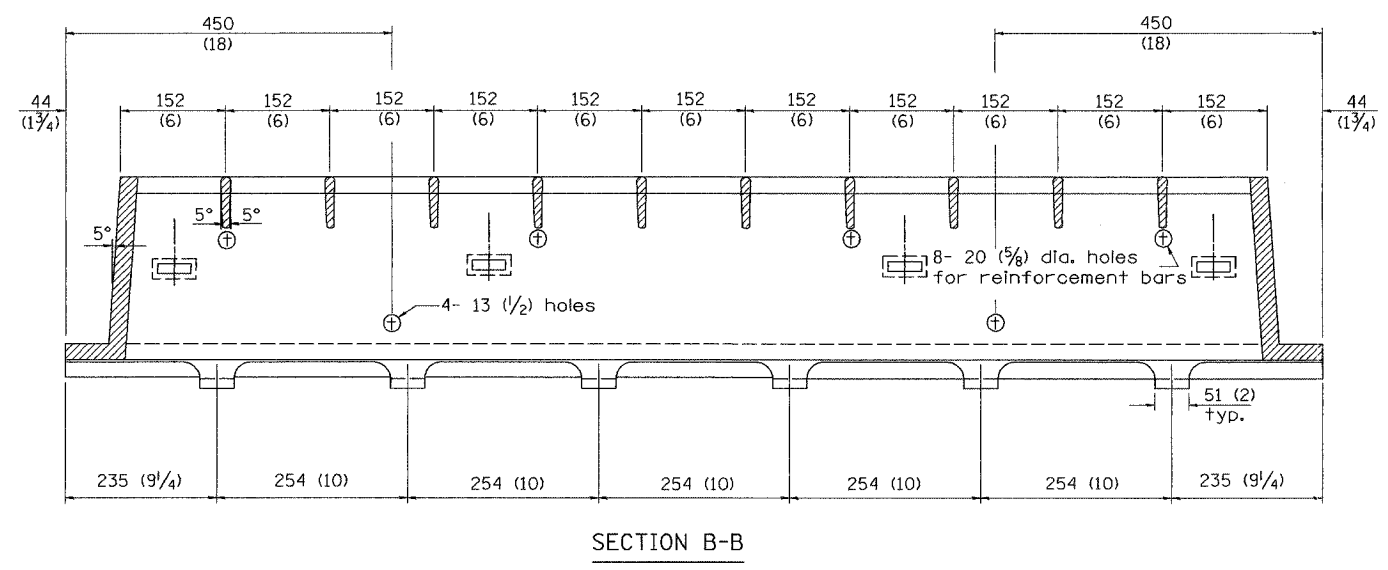
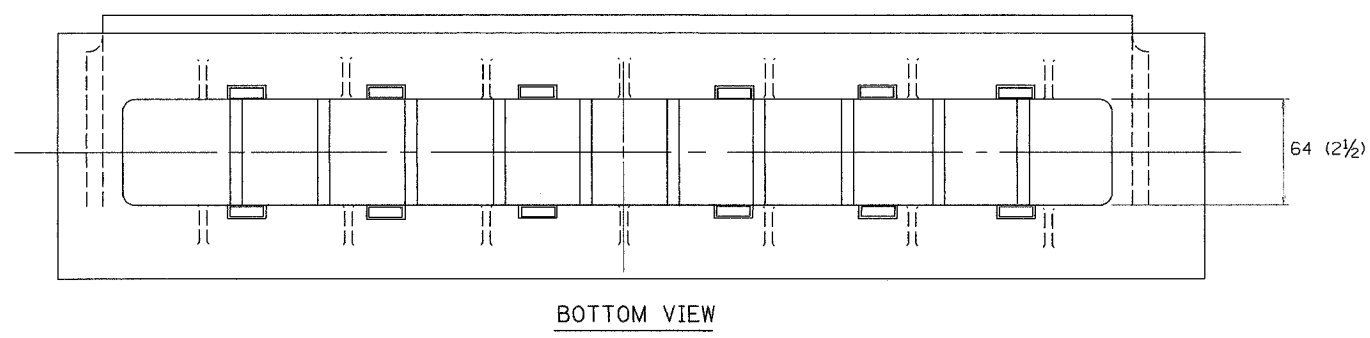
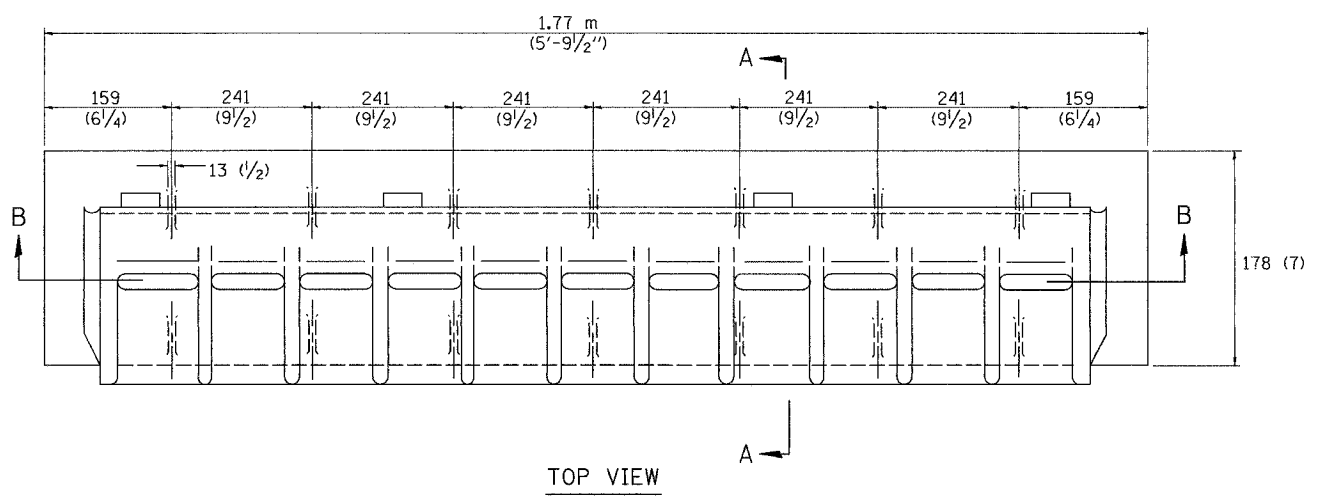
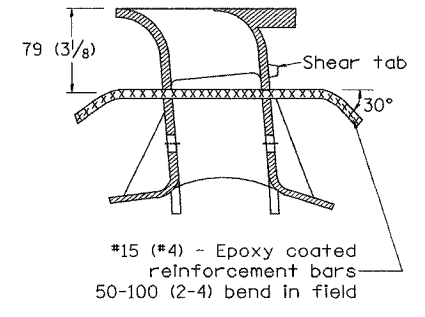
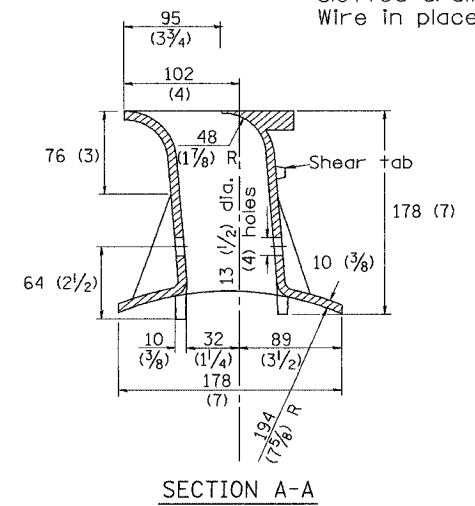


F.A. DIST. NO.	SECTION	COUNTY	TOTAL SHEETS	SHEET NO.
			1320	872
STA.	TO STA.			
FED. ROAD DIST. NO. - ILLINOIS FED. AID PROJECT				



NOTE:
Saw slot in pipe. Insert slotted drain in pipe. Wire in place.



All dimensions are in millimeters (inches) unless otherwise noted.

ILLINOIS DEPARTMENT OF TRANSPORTATION
DISTRICT CADD STANDARD

SLOTTED VANE DRAIN

CADD STANDARD 601701-D4
SCALE: NOT TO SCALE
DATE: **DATE**
DRAWN BY: CADD
CHECKED BY:

DATE	REVISIONS	BY
1-1-97	RENUM. B-4.10, NEW REVISION BOX	T.P.

DATE

DGN-ONLY

601701-D4

R3599