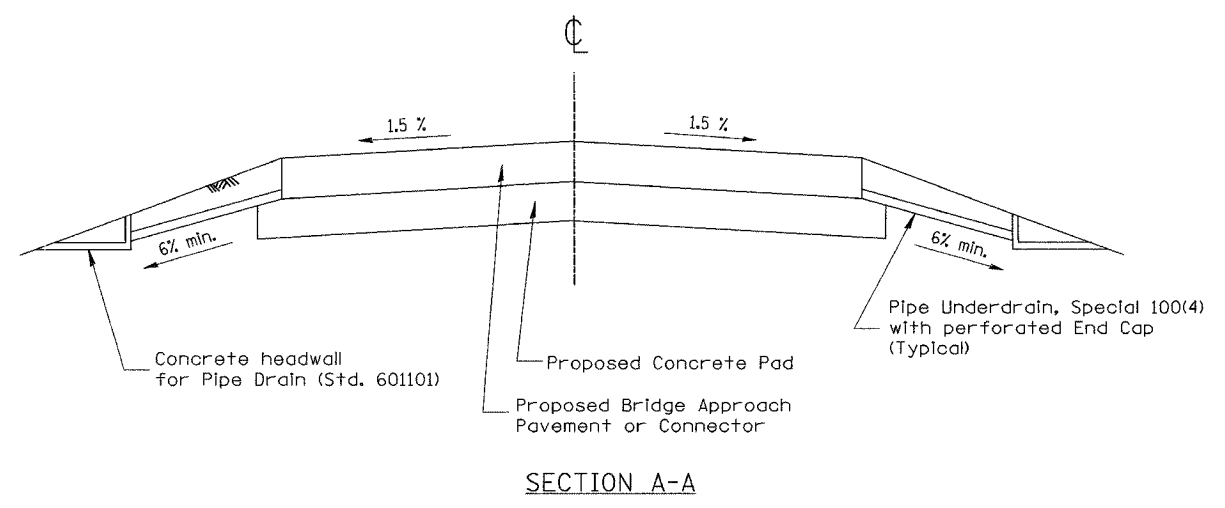
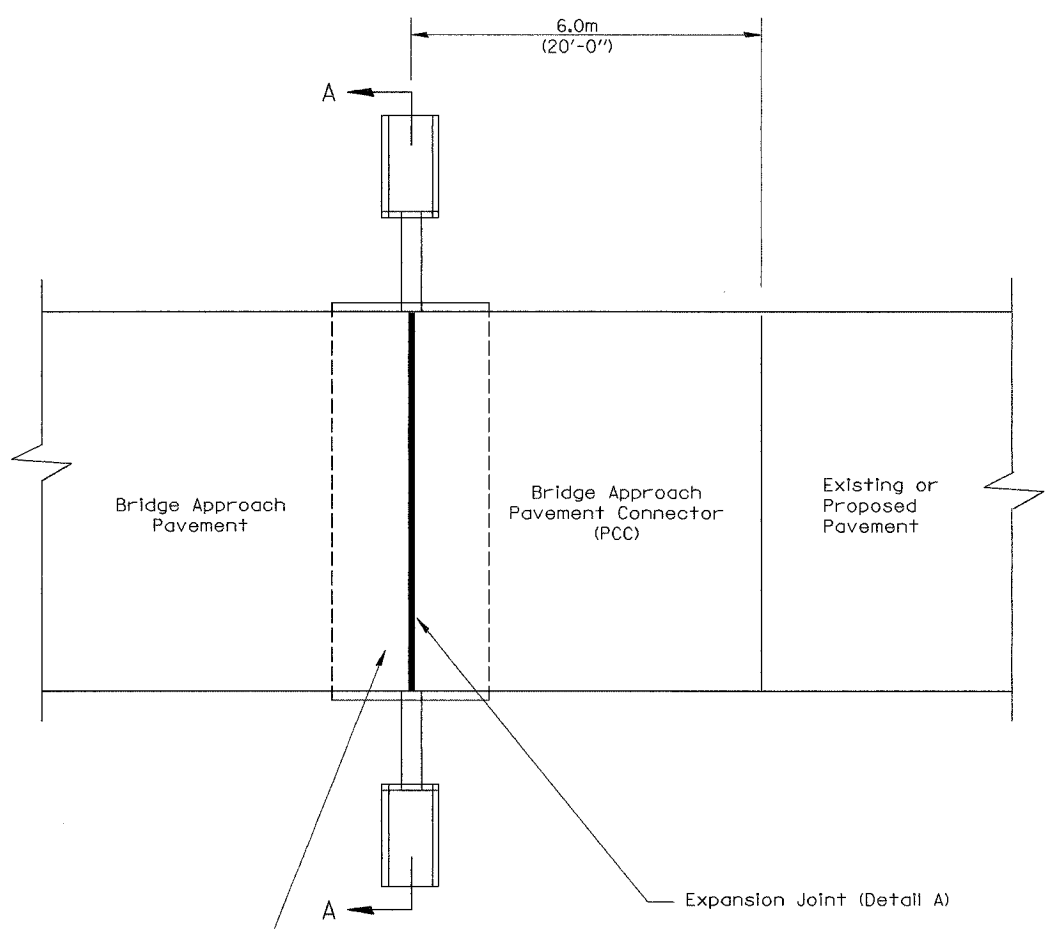
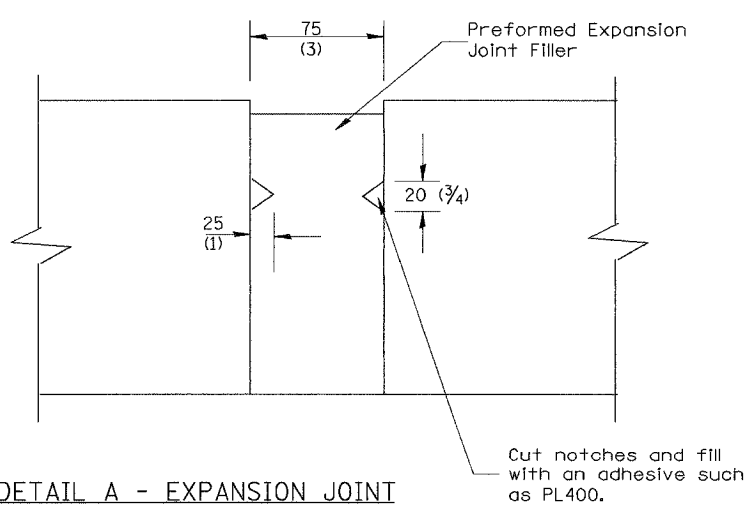


F.A. RTE.	SECTION	COUNTY	TOTAL SHEETS	SHEET NO.
			7	27
STA.	TO STA.			
FED. ROAD DIST. NO.	ILLINOIS	FED. AID PROJECT		



Concrete Pad (Std. 420401)



DETAIL A - EXPANSION JOINT

Preformed Expansion Joint Filler shall meet the requirements of Article 1051.08 or 1051.09. The expansion joint shall be constructed in accordance with Expansion Joint Sealing Detail shown on Standard 420001 and as shown herein.

GENERAL NOTES:

1. All work shall be done in accordance with Standard 420401 except as shown herein.
2. The concrete headwalls and pipe underdrain special will be in accordance with Section 601.
3. The bridge approach pavement connector (pcc) shall be constructed similar to section G-G for existing construction rigid pavement as shown standard 420401. Adjacent to PCC base course or pavement deformed bars will be required. Adjacent to bituminous pavement deformed bars will not be required.

All dimensions are in millimeters (inches) unless otherwise noted.

ILLINOIS DEPARTMENT OF TRANSPORTATION
DISTRICT CADD STANDARD

**BRIDGE APPROACH
DETAIL**

CADD STD. NO. 420401-D4
SCALE: NOT DRAWN TO SCALE
DATE: **DATE**
DRAWN BY: CADD
CHECKED BY:

DATE	REVISIONS	BY
1-1-97	RENUM. H-6.09, NEW REVISION BOX, NOTES	T.P.
2-22-97	REVISED SECTION - A-A	
3-1-97	CORRECT STD. NO. IN NOTES	J.A.

DATE

DGN-ONLY

420401-D4