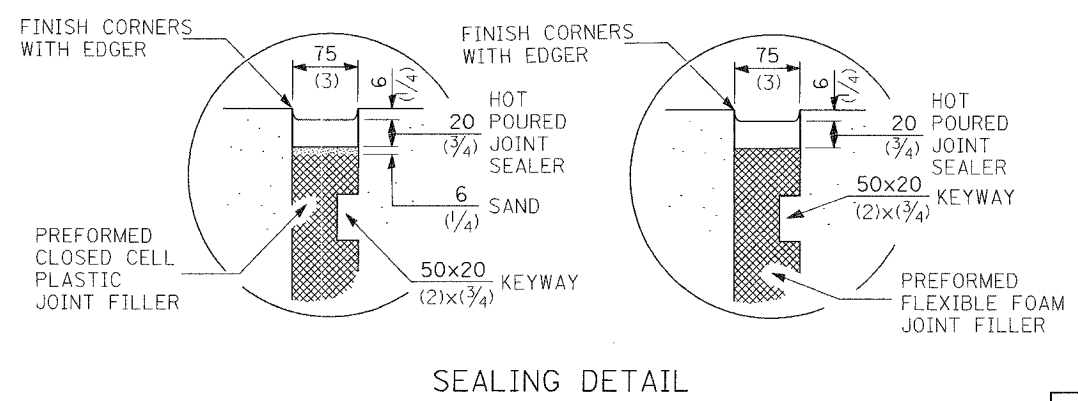
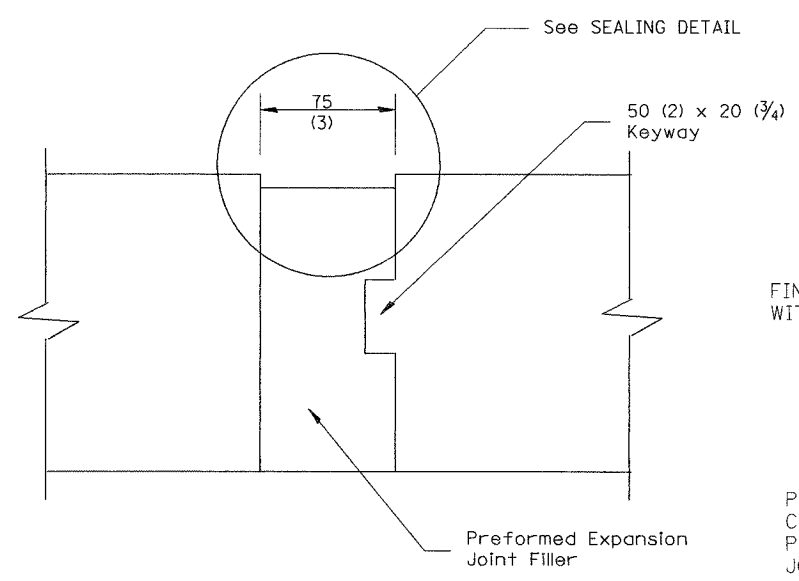
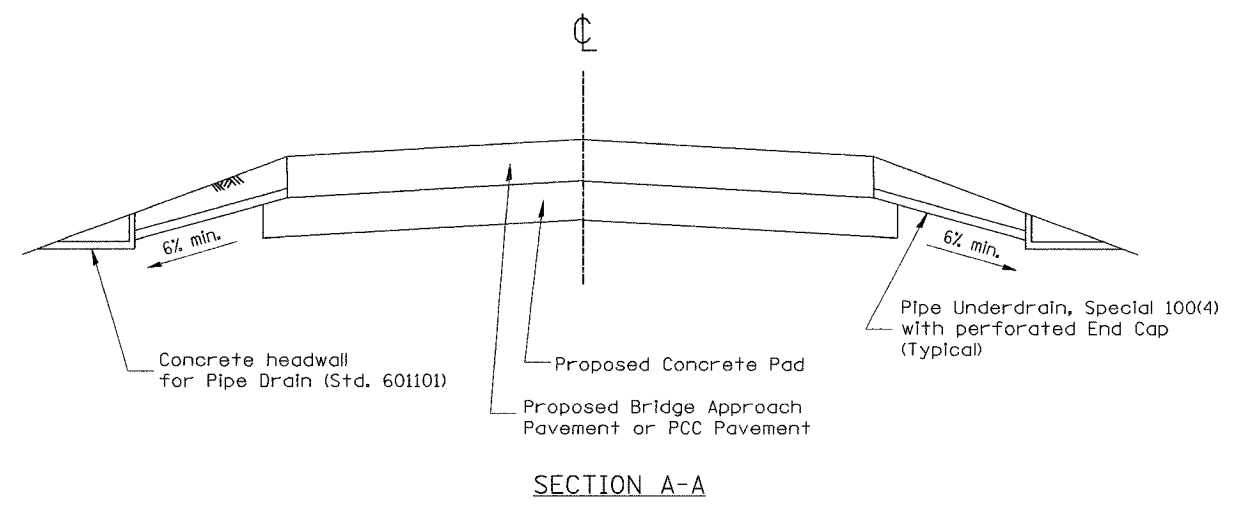
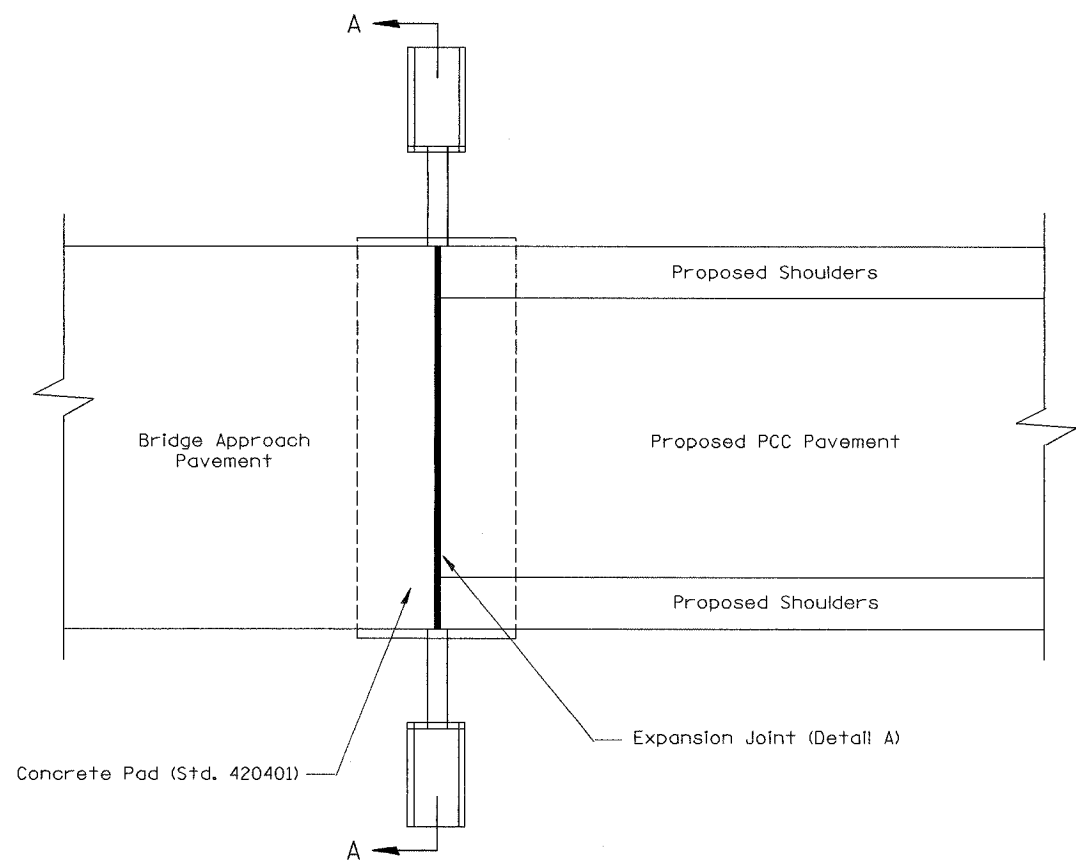


F.A. RTE.	SECTION	COUNTY	TOTAL SHEETS	SHEET NO.
			13	857
STA. _____		TO STA. _____		
FED. ROAD DIST. NO. _____		ILLINOIS FED. AID PROJECT		



- GENERAL NOTES:**
1. All work shall be done in accordance with Standard 420401 and other plan details except as shown herein.
  2. The concrete headwalls and pipe underdrain special will be in accordance with Section 601.

DESIGNER NOTES:  
1. Include Standards 420001, 601101 and 420401 in plans.

Preformed Expansion Joint Filler shall meet the requirements of Article 1051.08 or 1051.09 and shall be supplied as 75 (3) in width. The expansion joint shall be constructed in accordance with Articles 420.10(c) and 420.14.

All dimensions are in millimeters (inches) unless otherwise noted.

REVISIONS		ILLINOIS DEPARTMENT OF TRANSPORTATION I-74 PROJECT STANDARD 420402-I74 MAINLINE AND RAMP BRIDGE APPROACH EXPANSION JOINT DETAIL
NAME	DATE	
H.S. 2004	9/26/03	DRAWN BY _____ CHECKED BY _____ DATE 11/14/02