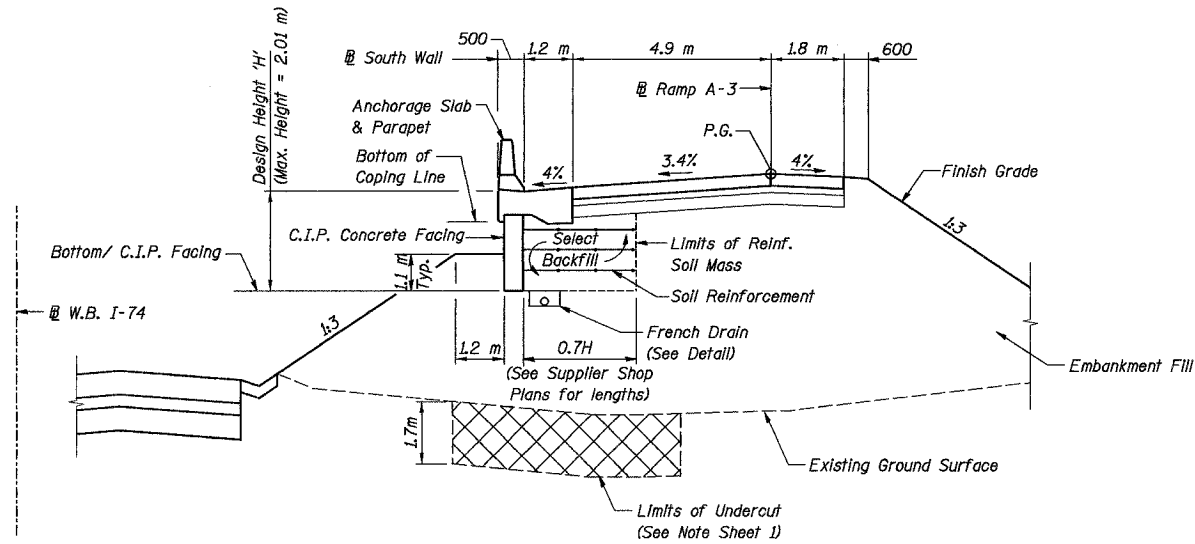


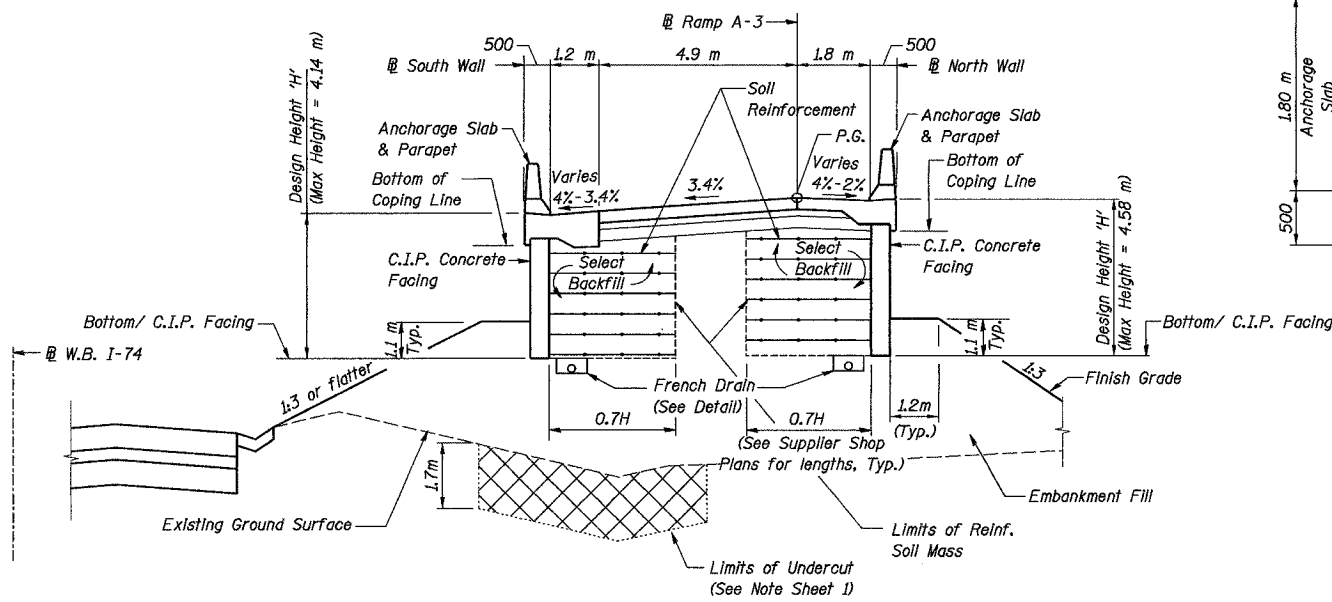
Note: All dimensions are in millimeters (mm) except as noted.

ROUTE NO.	SECT.	COUNTY	SHEET NO.	TOTAL SHEETS
F.A.I. 74	(72-7) R-3	PEORIA	605	1300
FED. ROAD DIST. NO. 7	ILLINOIS	FED. AID PROJECT		

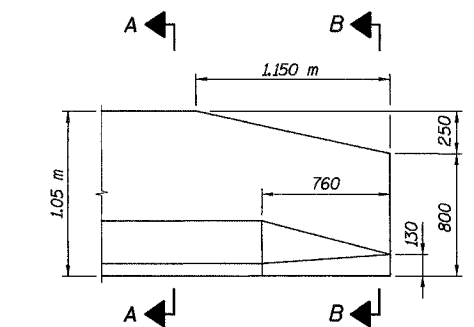
CONTRACT NO. 68200



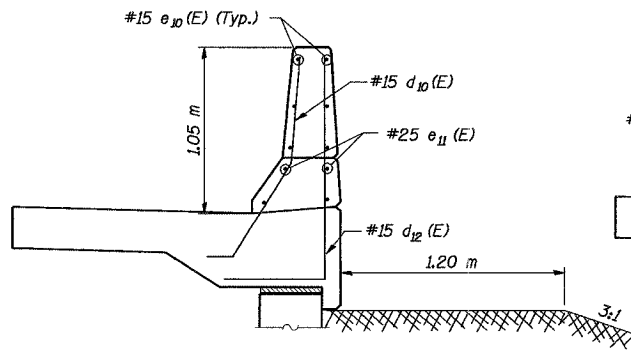
TYPICAL SECTION STA. 10+362.421 TO STA. 10+385.000  
(Looking West)



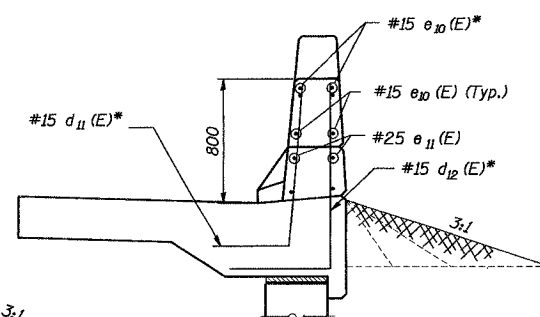
TYPICAL SECTION STA. 10+385.000 TO STA. 10+408.988  
(Looking West)



VIEW I-I - PARAPET END SECTION FOR  
TERMINAL BARRIER TYPE 6  
(North Wall Shown, South Wall Opp. Hand)

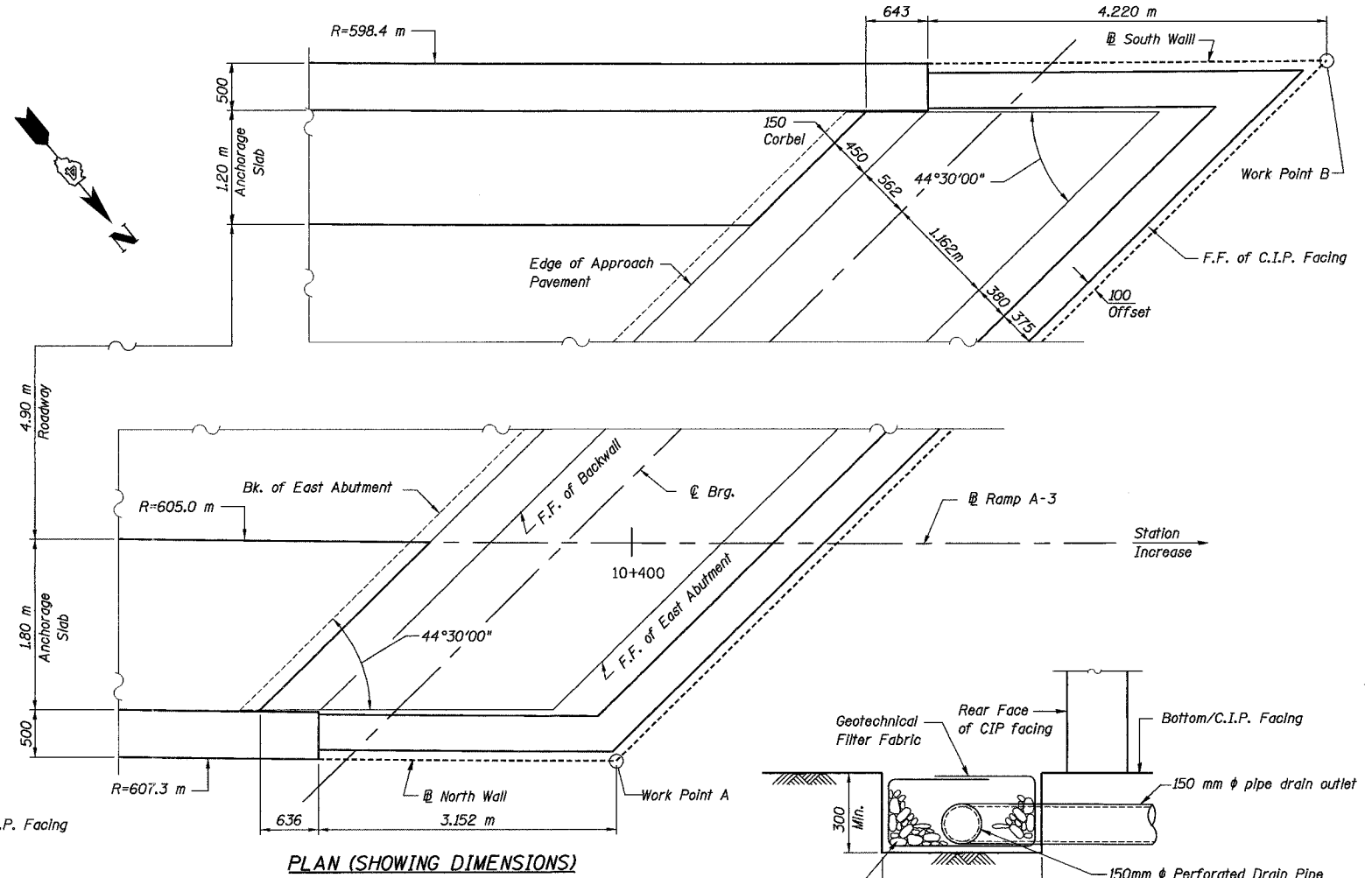


SECTION A-A

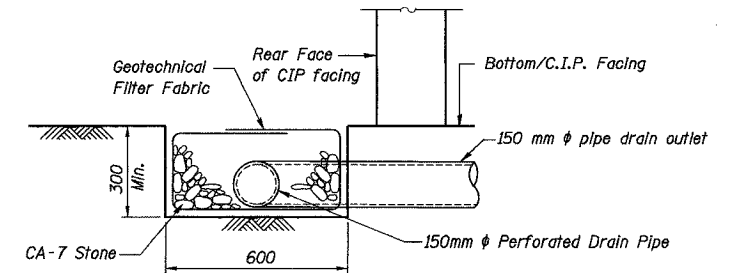


SECTION B-B

\* Cut or Bend in field to fit



PLAN (SHOWING DIMENSIONS)



FRENCH DRAIN DETAIL

Note: The French Drain Installation shall follow Section 601 of the Standard Specifications except that the trench will be filled with CA-7 coarse aggregate. The trench shall be lined with Geotechnical Filter Fabric for French Drains and have a 150 mm diameter perforated drain pipe located near the base of the excavation. The cost of the Geotechnical Filter Fabric and perforated drain pipe is included with the pay item French Drains.

REVISION	DATE	DESCRIPTION
STATE OF ILLINOIS DEPARTMENT OF TRANSPORTATION		
TYPICAL SECTIONS AND DETAILS		
MSE WALL NO. 8A - RAMP A-3 F.A.I. ROUTE 74 SECTION (72-7)R-3 PEORIA COUNTY STA. 10+362.421 TO STA. 10+408.988 (RAMP A-3) STRUCTURE NUMBER 072-8557		
PARSONS TRANSPORTATION GROUP CHICAGO, ILLINOIS		
DRAWING NO. 7	SCALE N.T.S.	DATE 6/25/04
		SHEET NO. 7

Date: 11/22/2004 Time: 12:13:53 PM

Filename: P:\649996\structure\072-8557-Wall #8A\sheet\Tr\cc\ings.DT000-1A0728557.dgn

Designed by: WEE  
Checked by: AK  
Drafted by: RKS  
Checked by: AK