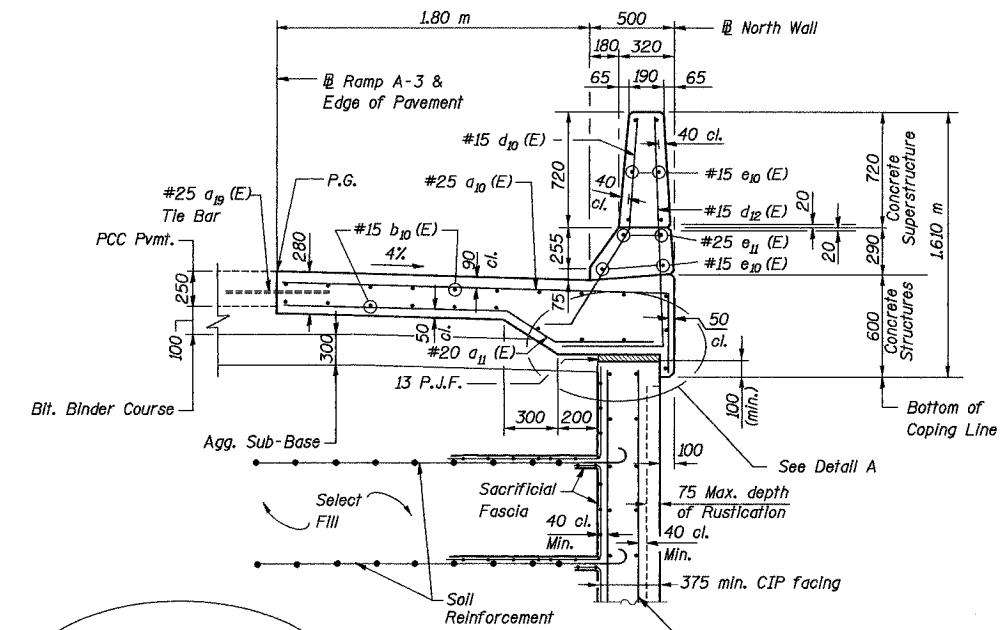


ROUTE NO.	SECT.	COUNTY	SHEET NO.	TOTAL SHEETS
F.A.I. 74	(72-7) R-3	PEORIA	623	1360
FED. ROAD DIST. NO. 7	ILLINOIS	FED. AID PROJECT		

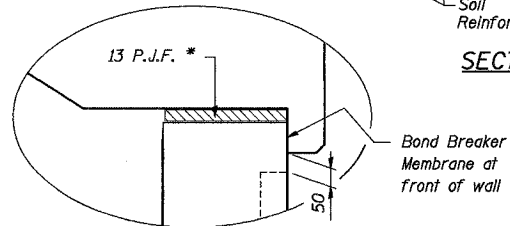
CONTRACT NO. 68200

Notes: All dimensions are in millimeters (mm) except as noted.  
All provided cross slopes are measured perpendicular to @ Ramp A-3



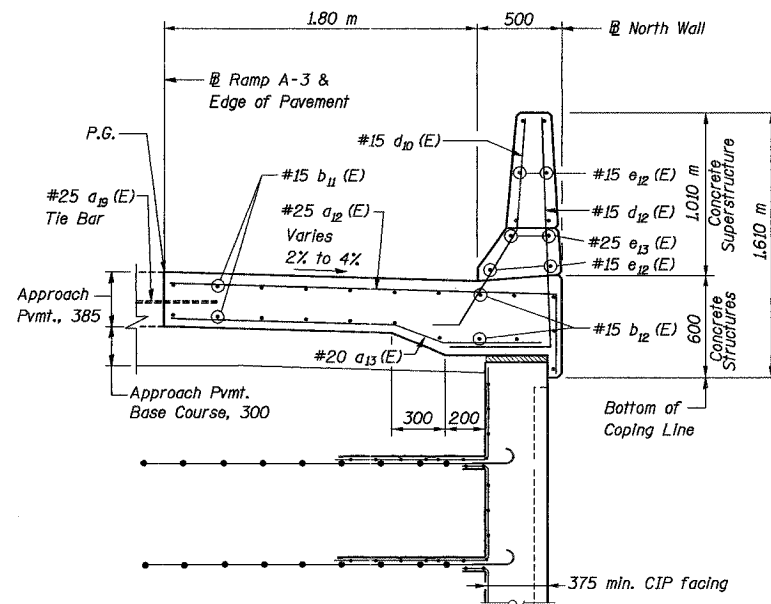
**SECTION A-A**

#15 @ 450 cts. E.W., E.F., Typ. (Min. Reinforcement). Cost of reinforcement included with MSE Wall with CIP facing.



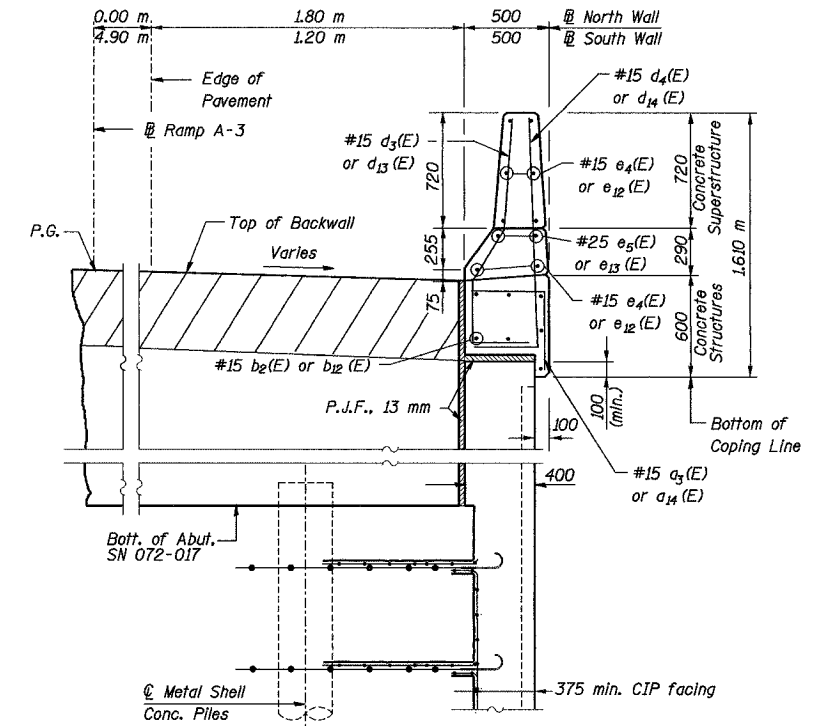
**DETAIL A**

\* Contractor shall ensure that the top of P.J.F. is clear of select fill or other debris before placing anchorage slab concrete.



**SECTION B-B**

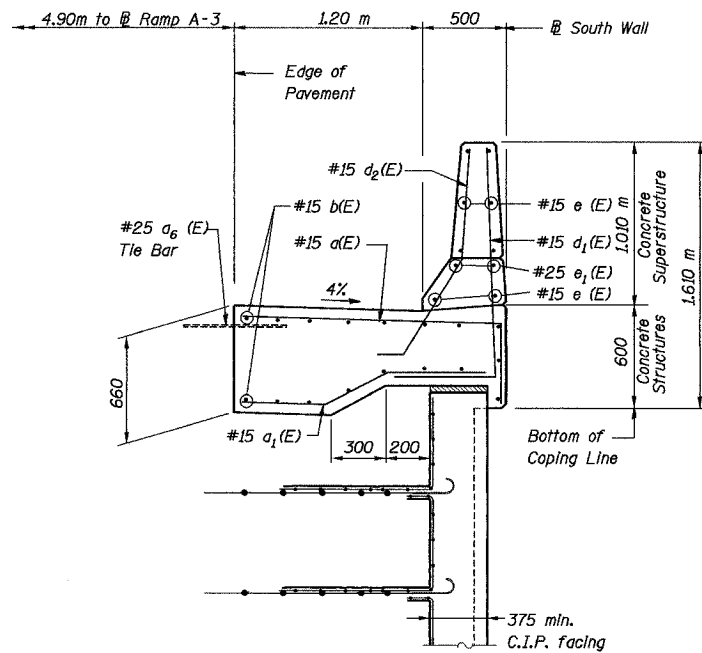
Details Not Shown  
Similar to Section A-A



**SECTION C-C**

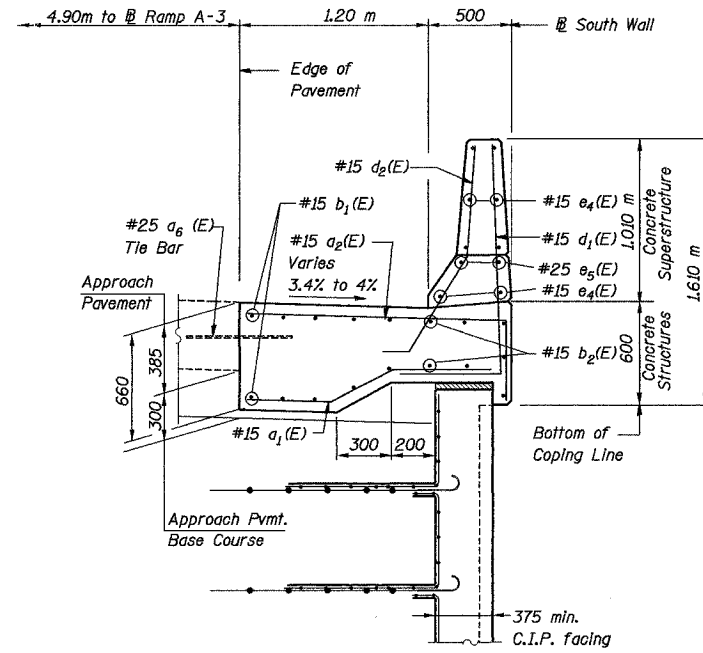
Details Not Shown  
Similar to Section A-A

Note:  
Hatched area to be poured after SN 072-0172 Structure forms have been removed.



**SECTION D-D**

Details Not Shown  
Similar to Section A-A



**SECTION E-E**

Details Not Shown  
Similar to Section A-A

REVISION	DATE	DESCRIPTION
STATE OF ILLINOIS DEPARTMENT OF TRANSPORTATION		
ANCHORAGE SLAB AND PARAPET REINFORCING DETAILS II		
MSE WALL NO. 8A - RAMP A-3 F.A.I. ROUTE 74 SECTION (72-7)R-3 PEORIA COUNTY STA. 10+362.421 TO STA 10+408.988 (RAMP A-3) STRUCTURE NUMBER 072-8557		
PARSONS TRANSPORTATION GROUP CHICAGO, ILLINOIS		
DRAWING NO. 5	SCALE N.T.S.	DATE 6/25/04
		SHEET NO. 5

Designed by: WEE  
Checked by: AK  
Drafted by: RKS  
Checked by: AK/CTJ

Date: 11/22/2004

Time: 12:13:13 PM

Filename: P:\643996\structure\072-8557-Wall #8A.sheet\TRACINGS\SD0003-1A0728557.dgn