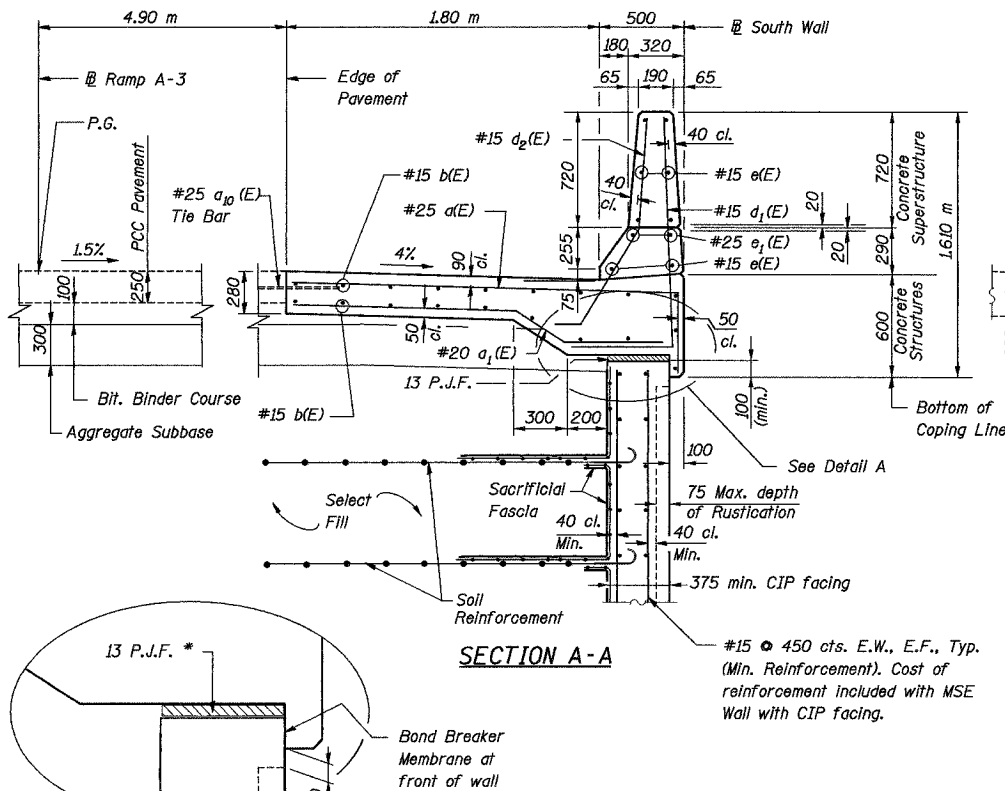


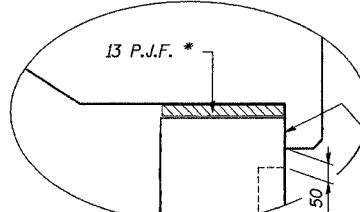
ROUTE NO.	SECT.	COUNTY	SHEET NO.	TOTAL SHEETS
F.A.I. 74	(72-7) R-3	PEORIA	582	1340
FED. ROAD DIST. NO. 7	ILLINOIS	FED. AID PROJECT	CONTRACT NO. 68200	

Notes: All dimensions are in millimeters (mm) except as noted.
All provided cross slopes are measured perpendicular to @ Ramp A-3



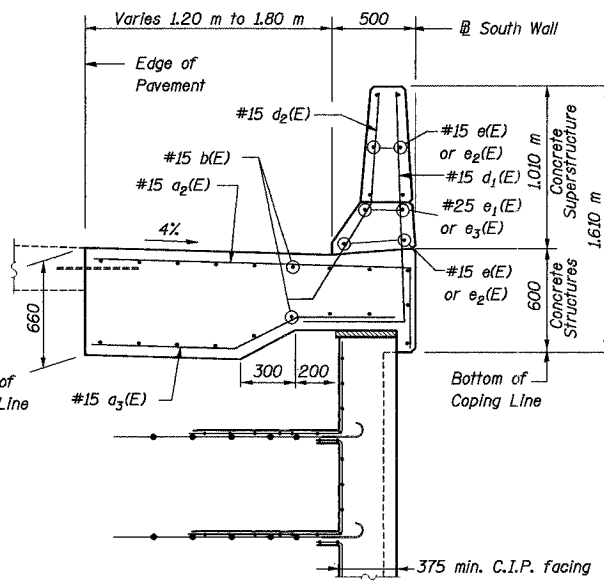
SECTION A-A

#15 ϕ 450 cts. E.W., E.F., Typ. (Min. Reinforcement). Cost of reinforcement included with MSE Wall with CIP facing.



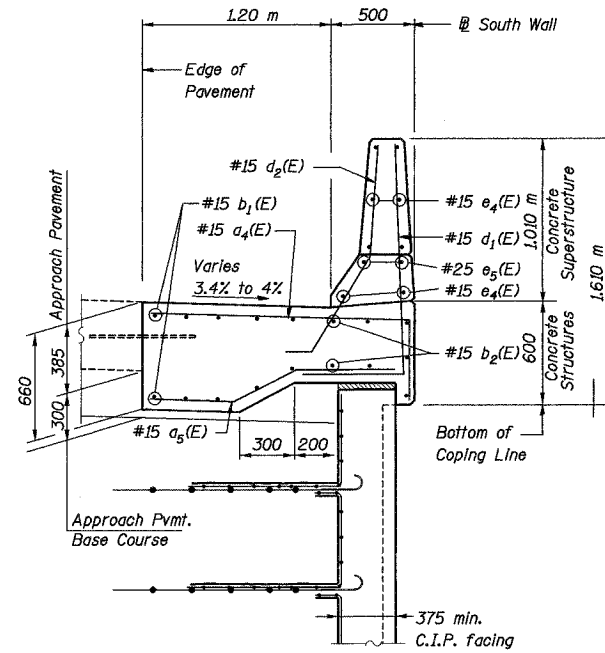
DETAIL A

* Contractor shall ensure that the top of P.J.F. is clear of select fill or other debris before placing anchorage slab concrete.



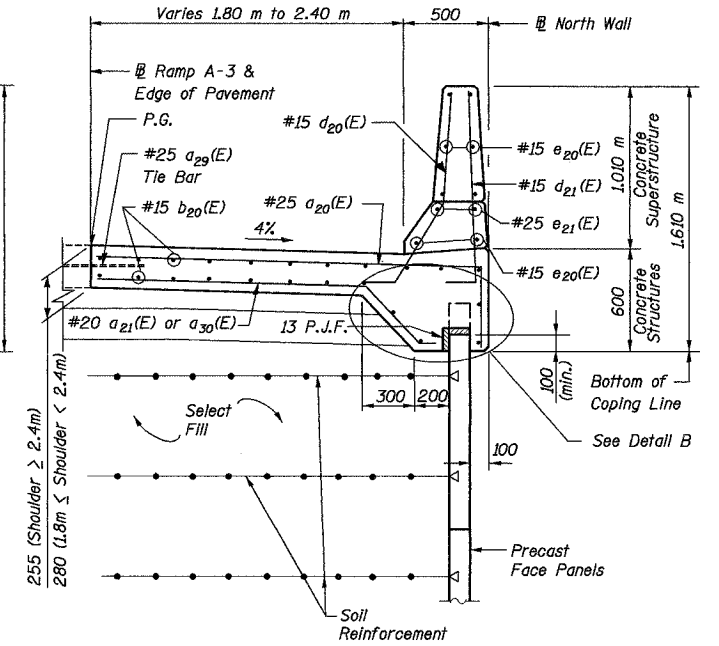
SECTION B-B

Details Not Shown Similar to Section A-A

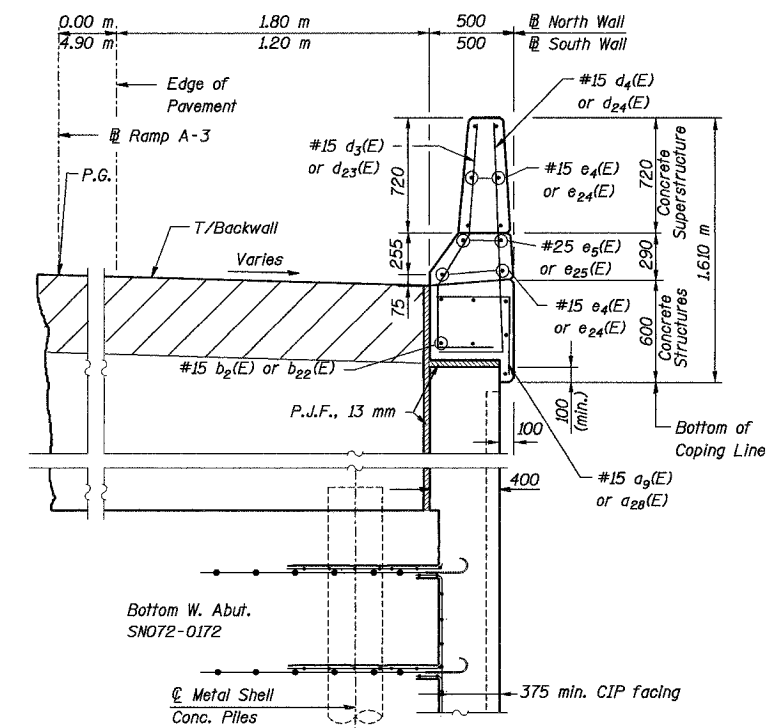


SECTION C-C

Details Not Shown Similar to Section A-A

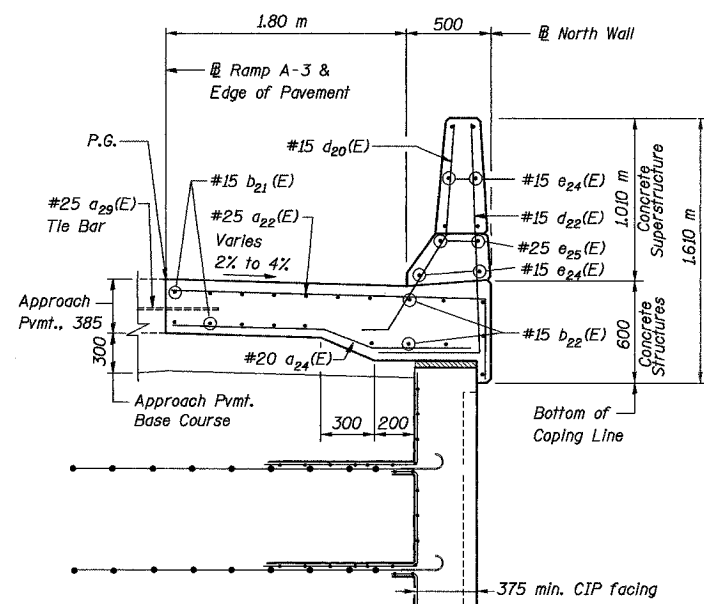


SECTION H-H



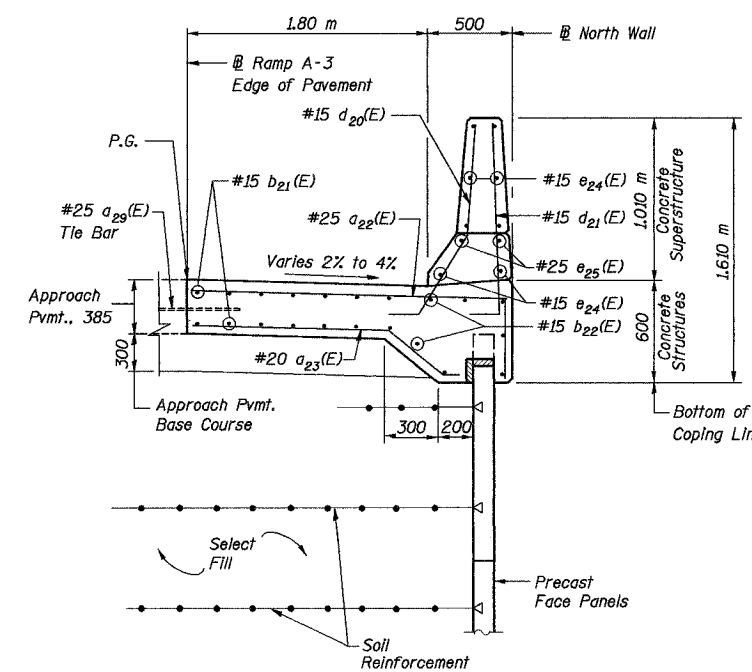
SECTION D-D

Details Not Shown Similar to Section A-A



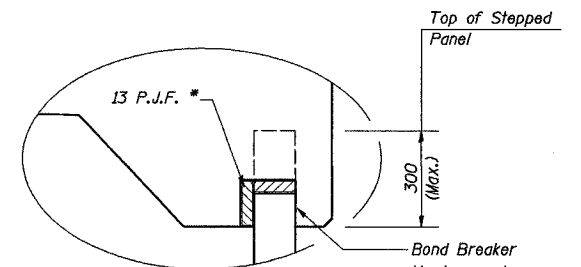
SECTION F-F

Details Not Shown Similar to Section A-A



SECTION G-G

Details Not Shown Similar to Section A-A



DETAIL B

* Contractor shall ensure that the top of P.J.F. is clear of select fill or other debris before placing anchorage slab concrete.

Designed by: WEE
Checked by: AK/CTJ
Drafted by: RKS
Checked by: AK/CTJ

Note: Hatched Area to be Poured After SNO72-0172 Structure Forms Have Been Removed.

REVISION	DATE	DESCRIPTION
STATE OF ILLINOIS DEPARTMENT OF TRANSPORTATION ANCHORAGE SLAB AND PARAPET REINFORCING DETAILS II MSE WALL NO. 8 - RAMP A-3 F.A.I. ROUTE 74 SECTION (72-7) R-3 PEORIA COUNTY STA. 10+426.116 TO STA. 10+673.439 (RAMP A-3) STRUCTURE NUMBER 072-8556 PARSONS TRANSPORTATION GROUP CHICAGO, ILLINOIS		
DRAWING NO.	SCALE	DATE
6	N.T.S.	6-25-04
SHEET NO.	6	