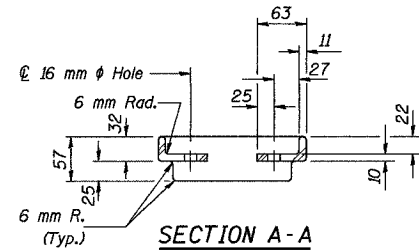
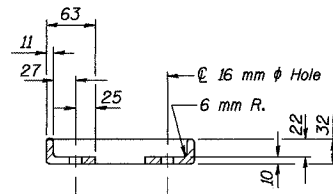


ROUTE NO.	SECT.	COUNTY	SHEET NO.	TOTAL SHEETS
F.A.I. 74	(72-7) R-3	PEORIA	532	1360
FED. ROAD DIST. NO. 7	ILLINOIS	FED. AID PROJECT		

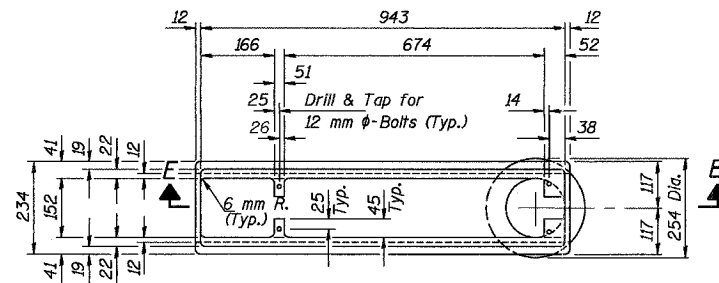
CONTRACT NO. 68200



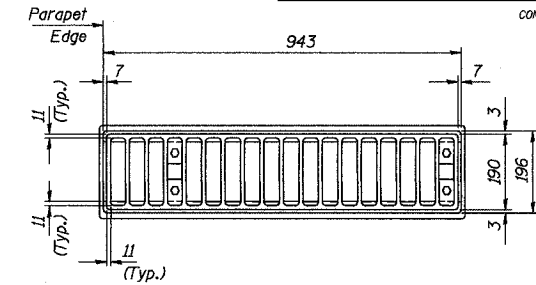
SECTION A-A



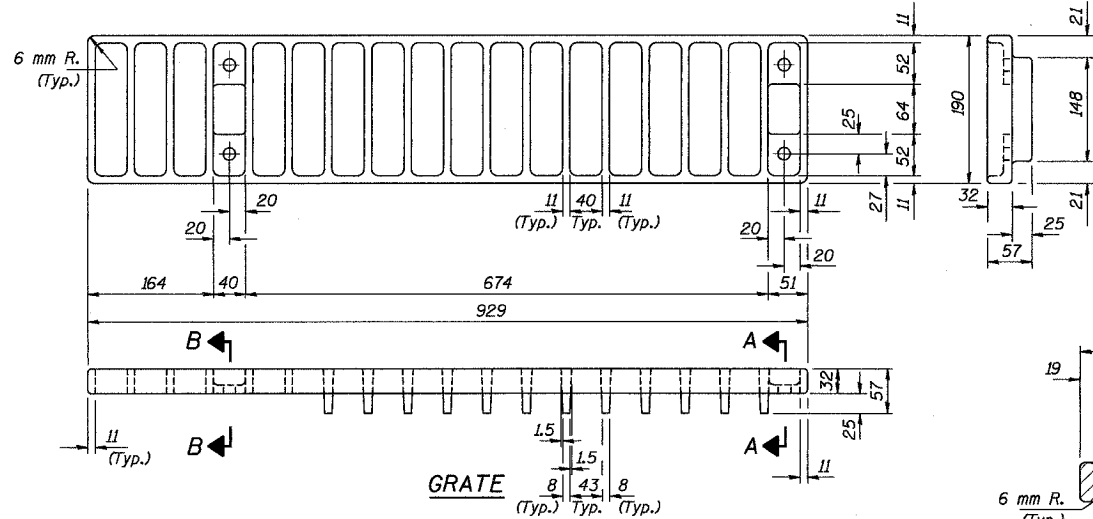
SECTION B-B



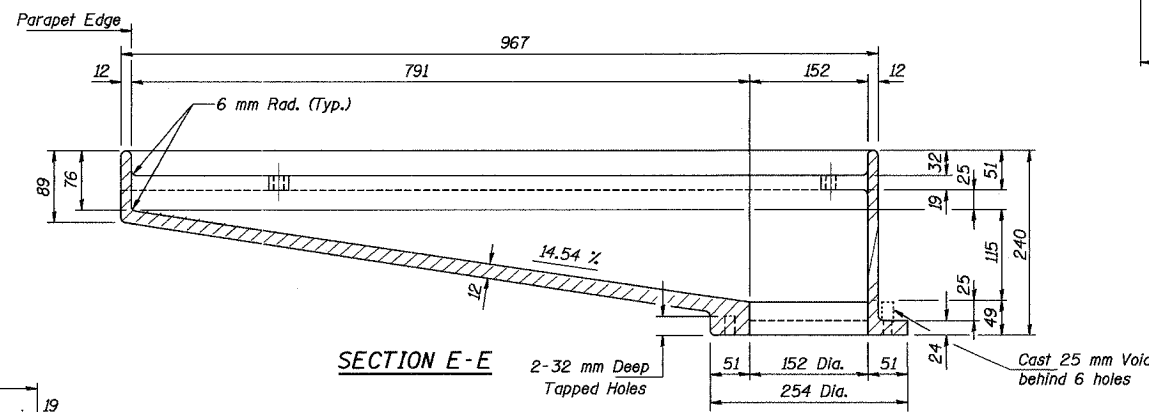
FRAME



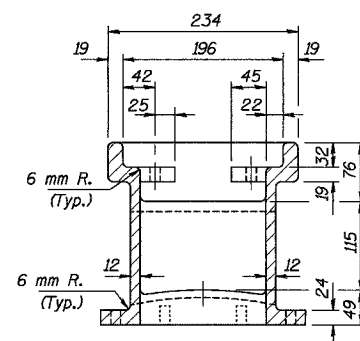
DRAINAGE SCUPPER



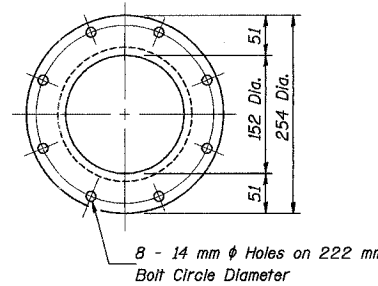
GRATE



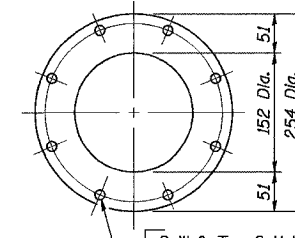
SECTION E-E



SECTION F-F



8 - 14 mm ϕ Holes on 222 mm Bolt Circle Diameter

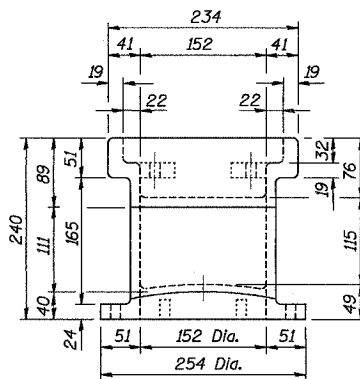


VIEW D-D

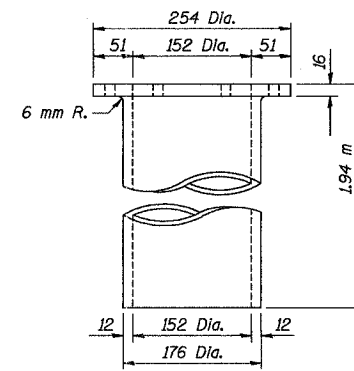
BILL OF MATERIAL

ITEM	UNIT	QUANTITY
Drainage Scupper, Type I	Each	4

Notes: All cast iron parts shall be gray iron conforming to the requirements of AASHTO M 105, Class 30.
 Bolts and washers shall conform to the requirements of ASTM A 307.
 All bolts and washers shall be galvanized according to AASHTO M 232.
 As an alternate bolts and washers may be stainless steel.
 Cost of the Grate, Frame, Downspout, bolts and washers including complete installation of Scupper will be paid for at the unit bid price each for "DRAINAGE SCUPPER, TYPE I."
 The Contractor may use at his option steel drainage scuppers or cast iron drainage scuppers.
 All dimensions are in millimeters (mm) except as noted.



VIEW C-C



DOWNSPOUT

REVISION	DATE	DESCRIPTION
STATE OF ILLINOIS DEPARTMENT OF TRANSPORTATION		
DRAINAGE SCUPPER, TYPE I		
RAMPS B-3 AND B-5 OVER WAR MEMORIAL DR. AND RAMP B-6 F.A.I. ROUTE 74 SECTION (72-7) R-3 PEORIA COUNTY STA. 10+618.61 (RAMP B-3) STA. 10+472.60 (RAMP B-5) STRUCTURE NUMBER 072-0190		
PARSONS TRANSPORTATION GROUP CHICAGO, ILLINOIS		
DRAWING NO. 33	SCALE N.T.S.	DATE 2-21-03
		SHEET NO. 33