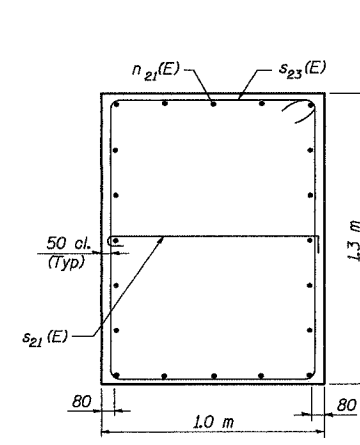
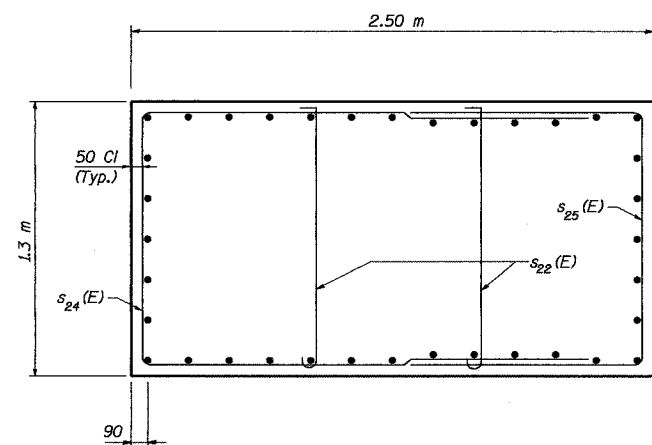


| | | | | |
|-----------------------|------------|------------------|-----------|--------------|
| ROUTE NO. | SECT. | COUNTY | SHEET NO. | TOTAL SHEETS |
| F.A.I. 74 | (72-7) R-3 | PEORIA | 531 | 1360 |
| FED. ROAD DIST. NO. 7 | ILLINOIS | FED. AID PROJECT | | |

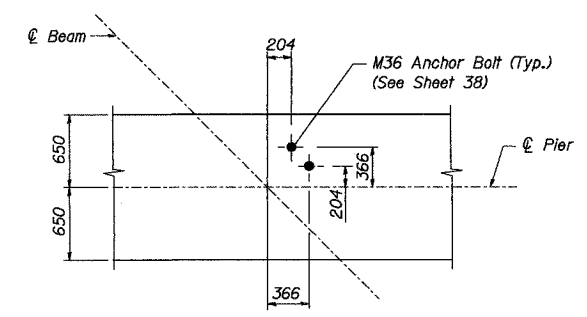
CONTRACT NO. 68200



SECTION A-A
Typical Int. Column Section



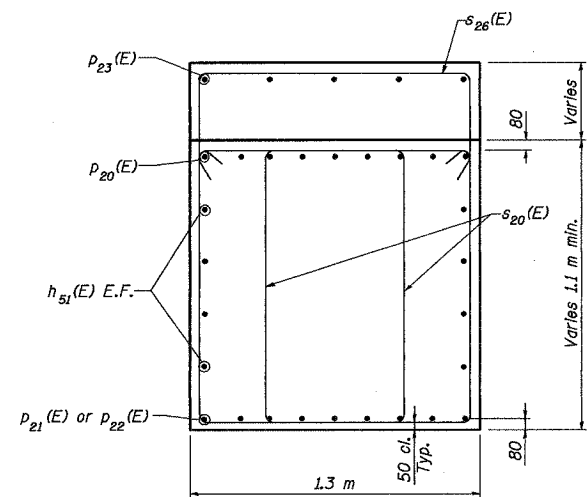
SECTION B-B
Typical Ext. Column Section



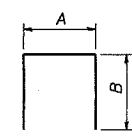
ANCHOR BOLTS LOCATION

BILL OF MATERIAL

| Bar | No. | Size | Length (m) | Shape |
|----------------------------------|-----|----------------|------------|-------|
| h ₅₁ (E) | 105 | #20 | 9.35 | — |
| h ₅₂ (E) | 50 | #15 | 2.41 | — |
| n ₂₀ (E) | 48 | #25 | 1.26 | U |
| n ₂₁ (E) | 80 | #30 | 4.10 | U |
| n ₂₂ (E) | 80 | #35 | 4.26 | U |
| p ₂₀ (E) | 18 | #25 | 14.15 | — |
| p ₂₁ (E) | 9 | #25 | 16.00 | — |
| p ₂₂ (E) | 9 | #25 | 12.30 | — |
| p ₂₃ (E) | 10 | #20 | 2.85 | — |
| s ₂₀ (E) | 182 | #20 | 3.90 | □ |
| s ₂₁ (E) | 36 | #15 | 1.18 | — |
| s ₂₂ (E) | 68 | #15 | 1.48 | — |
| s ₂₃ (E) | 36 | #15 | 4.48 | □ |
| s ₂₄ (E) | 34 | #20 | 5.40 | □ |
| s ₂₅ (E) | 70 | #20 | 3.38 | □ |
| s ₂₆ (E) | 22 | #15 | 2.50 | □ |
| s ₂₇ (E) | 232 | #15 | 5.20 | □ |
| t ₂₁ (E) | 117 | #20 | 4.20 | □ |
| t ₂₂ (E) | 90 | #15 | 3.56 | — |
| w ₂₁ (E) | 63 | #15 | 9.33 | — |
| Concrete Structures | | m ³ | 248.4 | |
| Reinforcement Bars, Epoxy Coated | | kg | 16,990 | |
| Structure Excavation | | m ³ | 180 | |

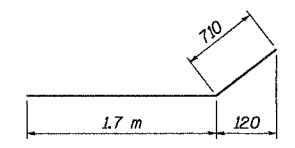


SECTION C-C

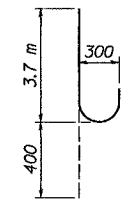


BARS
A & B DIMENSIONS

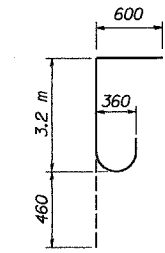
| Bar | A | B |
|---------------------|--------|-------|
| s ₂₄ (E) | 1.2 m | 2.1 m |
| s ₂₅ (E) | 1.18 m | 1.1 m |
| s ₂₆ (E) | 1.2 m | 650 |
| s ₂₇ (E) | 1.2 m | 2.0 m |



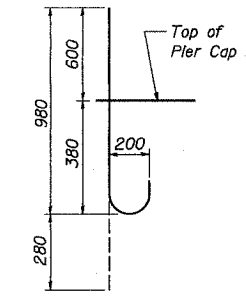
BAR h₅₂(E)



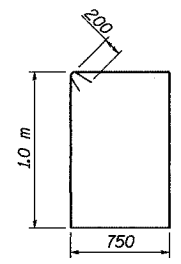
BARS n₂₁(E)



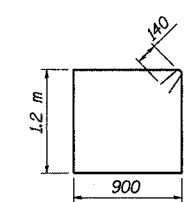
BARS n₂₂(E)



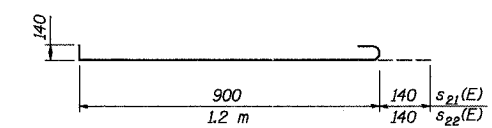
BAR n₂₀(E)



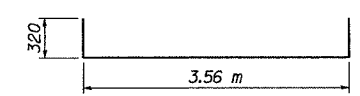
BAR s₂₀(E)



BAR s₂₃(E)



BARS s₂₁(E), s₂₂(E)



BAR t₂₁(E)

Notes:
E.F. - Each Face
Reinforcement bars designated (E) shall be epoxy coated.
All dimensions are in millimeters (mm) except as noted.

| REVISION | DATE | DESCRIPTION |
|---|-----------------|-----------------|
| STATE OF ILLINOIS DEPARTMENT OF TRANSPORTATION | | |
| PIER DETAILS | | |
| RAMPS B-3 AND B-5 OVER WAR MEMORIAL DR. AND RAMP B-6 F.A.I. ROUTE 74 SECTION (72-7) R-3 PEORIA COUNTY STA. 10+618.61 (RAMP B-3) STA. 10+472.60 (RAMP B-5) STRUCTURE NUMBER 072-0190 | | |
| PARSONS TRANSPORTATION GROUP CHICAGO, ILLINOIS | | |
| DRAWING NO. 32 | SCALE N.T.S. | DATE 2-21-03 |
| | | SHEET NO. 32 |

Date: 11/22/2004 Time: 09:29:43 AM
Filename: P:\643996\Structural\072-0190\sheet\Tracings\SD00015-1A0720190.dgn

Designed by: AK
Checked by: WEE
Drafted by: ERP
Checked by: WEE