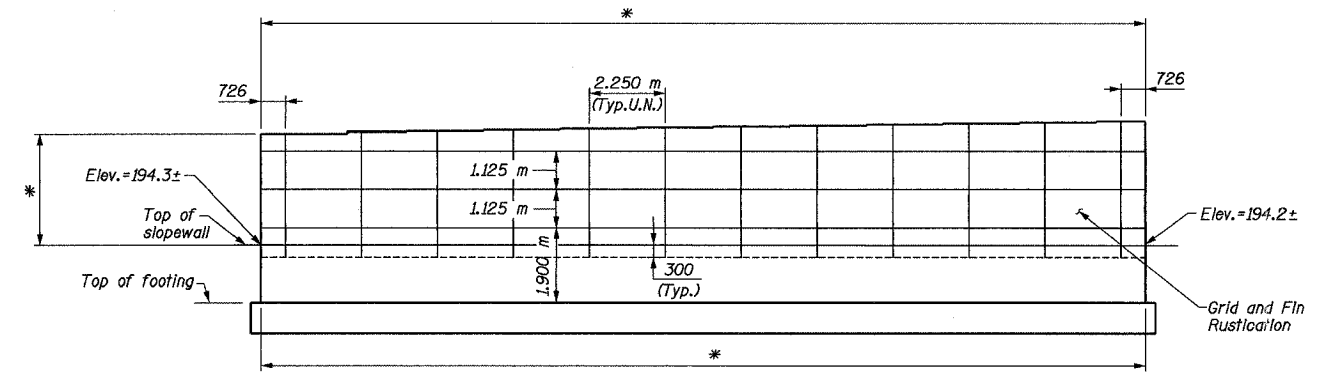
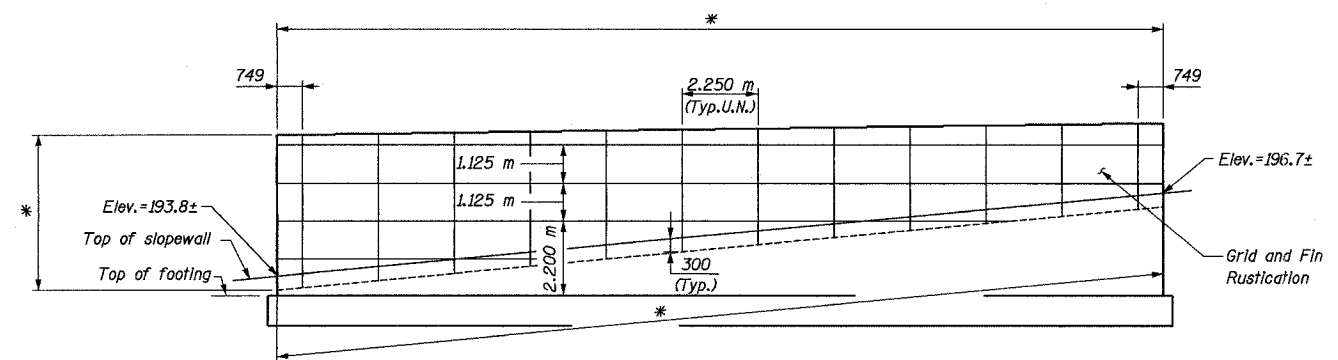


ROUTE NO.	SECT.	COUNTY	SHEET NO.	TOTAL SHEETS
F.A.I. 74	(72-7) R-3	PEORIA	529	1260
FED. ROAD DIST. NO. 7	ILLINOIS	FED. AID PROJECT		

CONTRACT NO. 68200

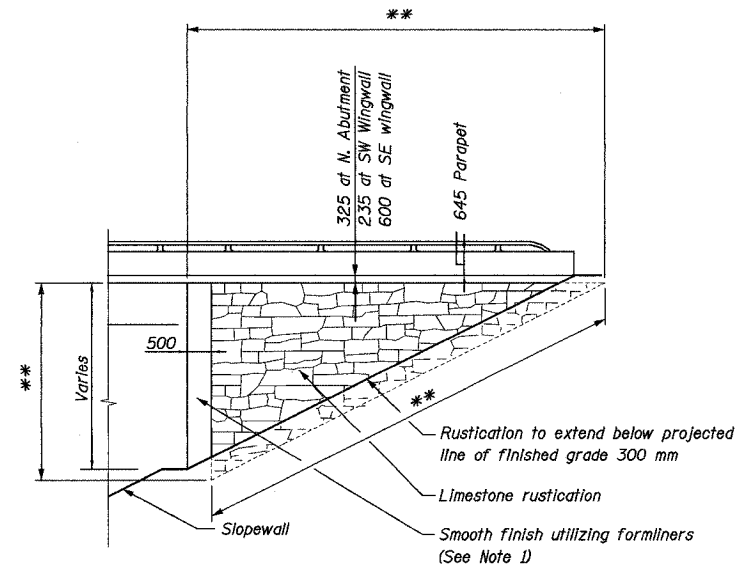


**NORTH ABUTMENT ELEVATION**  
(Looking North)



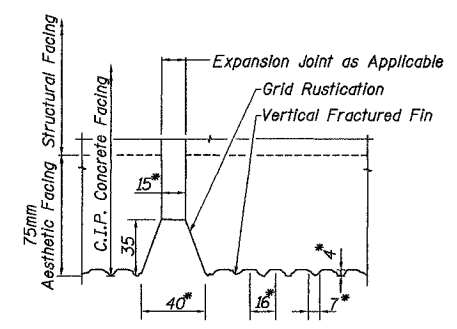
**SOUTH ABUTMENT ELEVATION**  
(Looking South)

NOTE 1:  
Cost of Smooth Finish Formliners is Included in the Cost of Formliner Limestone Surface.



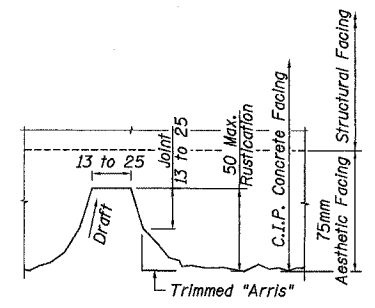
**ELEVATION**  
(Wingwall with single tube rail)  
(Curtain Wall Similar)

\* Pay limits for Form Liner Grid & Fin Surface  
\*\* Pay limits for Form Liner Limestone Surface



**GRID AND FIN RUSTICATION DETAIL**  
NTS

\* Dimensions subject to minor variations within the group of approved formliners.



**LIMESTONE RUSTICATION DETAIL**  
NTS

NOTE: All dimensions are in millimeters (mm) except as noted.

**BILL OF MATERIAL**

Item	Unit	Quantity
Form Liner Limestone Surface	m <sup>2</sup>	182
Form Liner Grid and Fin Surface	m <sup>2</sup>	216

REVISION	DATE	DESCRIPTION

**STATE OF ILLINOIS**  
**DEPARTMENT OF TRANSPORTATION**

**ABUTMENT AND WINGWALL RUSTICATION DETAILS**

RAMPS B-3 AND B-5 OVER WAR MEMORIAL DR. AND RAMP B-6  
F.A.I. ROUTE 74 SECTION (72-7) R-3  
PEORIA COUNTY STA. 10+618.61 (RAMP B-3)  
STA. 10+472.60 (RAMP B-5)  
STRUCTURE NUMBER 072-0190

PARSONS TRANSPORTATION GROUP  
CHICAGO, ILLINOIS

DRAWING NO. 30	SCALE N.T.S.	DATE 2-21-03	SHEET NO. 30
-------------------	-----------------	-----------------	-----------------

Date: 11/22/2004 Time: 09:28:52 AM File: P:\643996\structural\072-0190\sheet\1\Tracings\AB0010-1A0720190.dgn

Designed by: DL  
Checked by: AK  
Drafted by: JV  
Checked by: AK