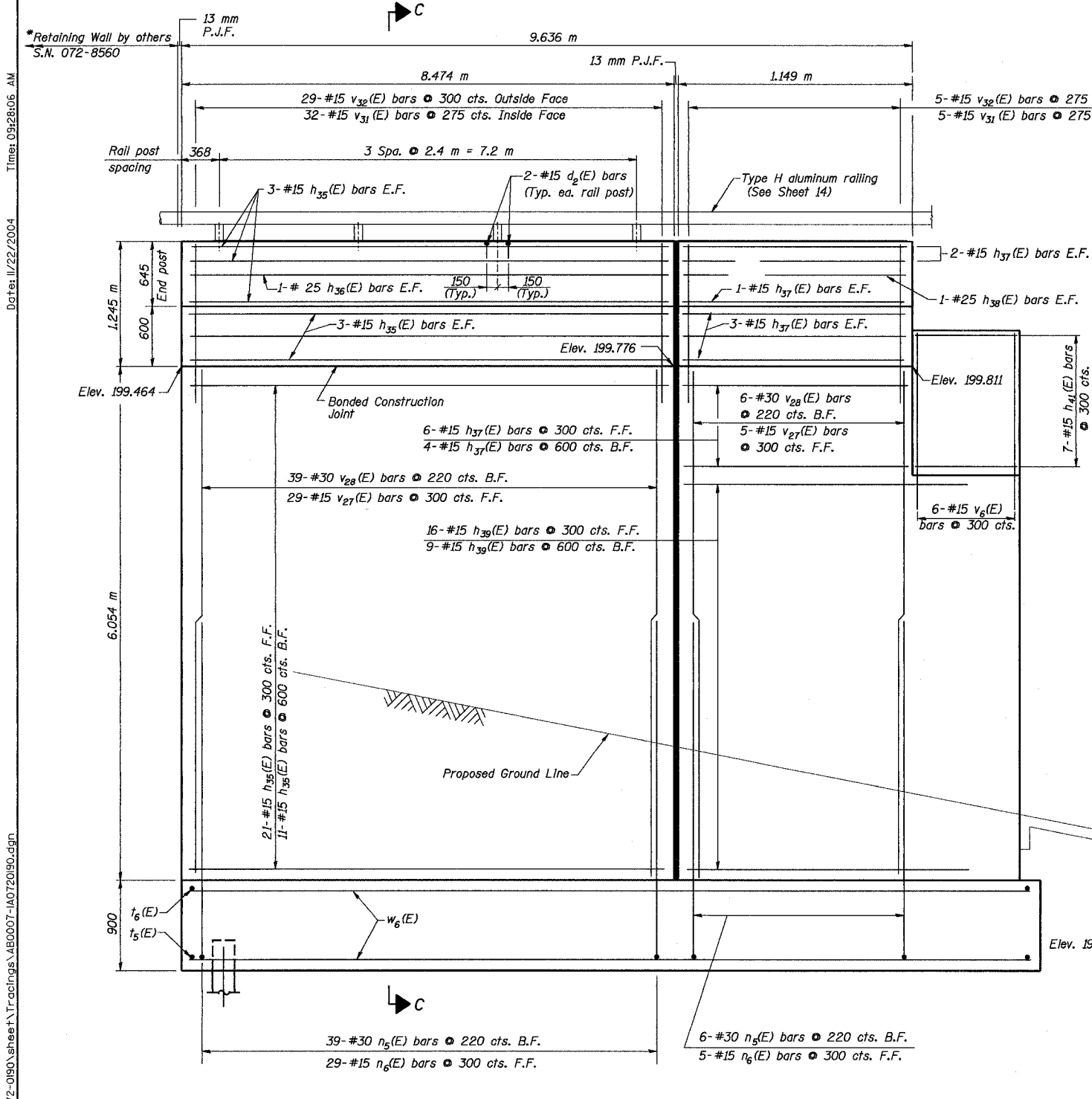
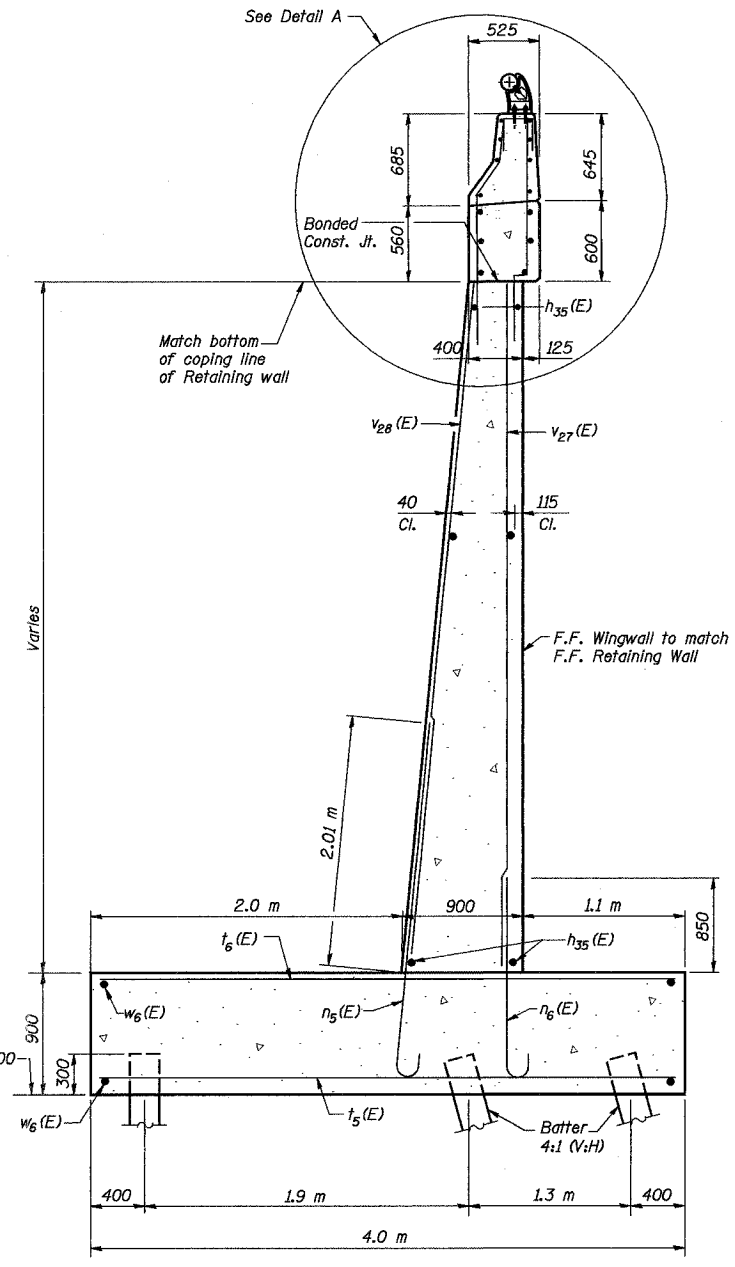


ROUTE NO.	SECT.	COUNTY	SHEET NO.	TOTAL SHEETS
F.A.I. 74	(72-7) R-3	PEORIA	527	1360
FED. ROAD DIST. NO. 7	ILLINOIS	FED. AID PROJECT		

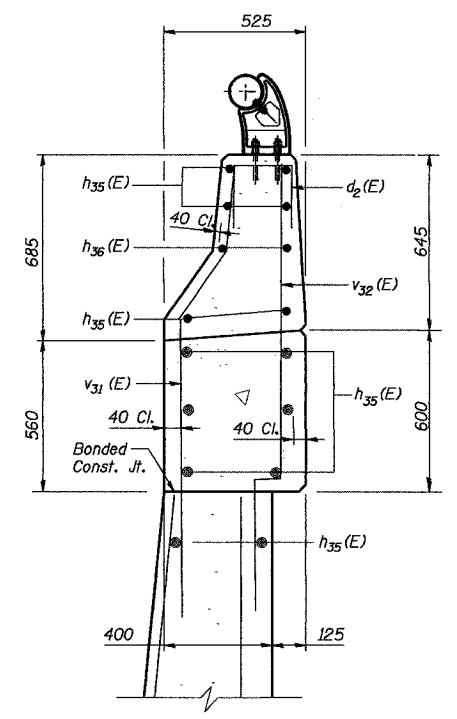
CONTRACT NO. 68200



**SOUTHEAST WINGWALL**  
(Looking West)



**SECTION C-C**



**DETAIL A**

**Notes:**  
 Reinforcement bars designated (E) shall be epoxy coated.  
 Quantity of concrete in end post included with Concrete Superstructure on Sheet 13.  
 All dimensions are in millimeters (mm) except as noted.  
 For Bill of Material see Sheet 29.  
 For Drainage behind abutments and wingwalls see Sheet 2.  
 F.F. = Front Face  
 B.F. = Back Face  
 E.F. = Each Face

\* Contractor shall provide 150 mm hollow bulb-type non-metallic water seal (150 mm from top of wall to top of footing). Water seal shall be 275 mm vertical from front face of wall. See retaining wall plans.

**MIN. BAR LAP**  
 #15 bar = 640  
 #30 bar = 1.85 m

Date: 11/22/2004  
 Time: 09:28:06 AM  
 File: P:\643996\structure\072-0190\sheet\Tracings\ABC007-1A0720190.dgn

Designed by:	DL
Checked by:	AK
Drafted by:	JMG
Checked by:	AK

REVISION	DATE	DESCRIPTION
<b>STATE OF ILLINOIS</b> DEPARTMENT OF TRANSPORTATION		
<b>SOUTH ABUTMENT DETAILS III</b>		
RAMPS B-3 AND B-5 OVER WAR MEMORIAL DR. AND RAMP B-6 F.A.I. ROUTE 74 SECTION (72-7) R-3 PEORIA COUNTY STA. 10+618.61 (RAMP B-3) STA. 10+472.60 (RAMP B-5) STRUCTURE NUMBER 072-0190		
PARSONS TRANSPORTATION GROUP CHICAGO, ILLINOIS		
DRAWING NO.	SCALE	DATE
28	N.T.S.	2-21-03
		SHEET NO.
		28