

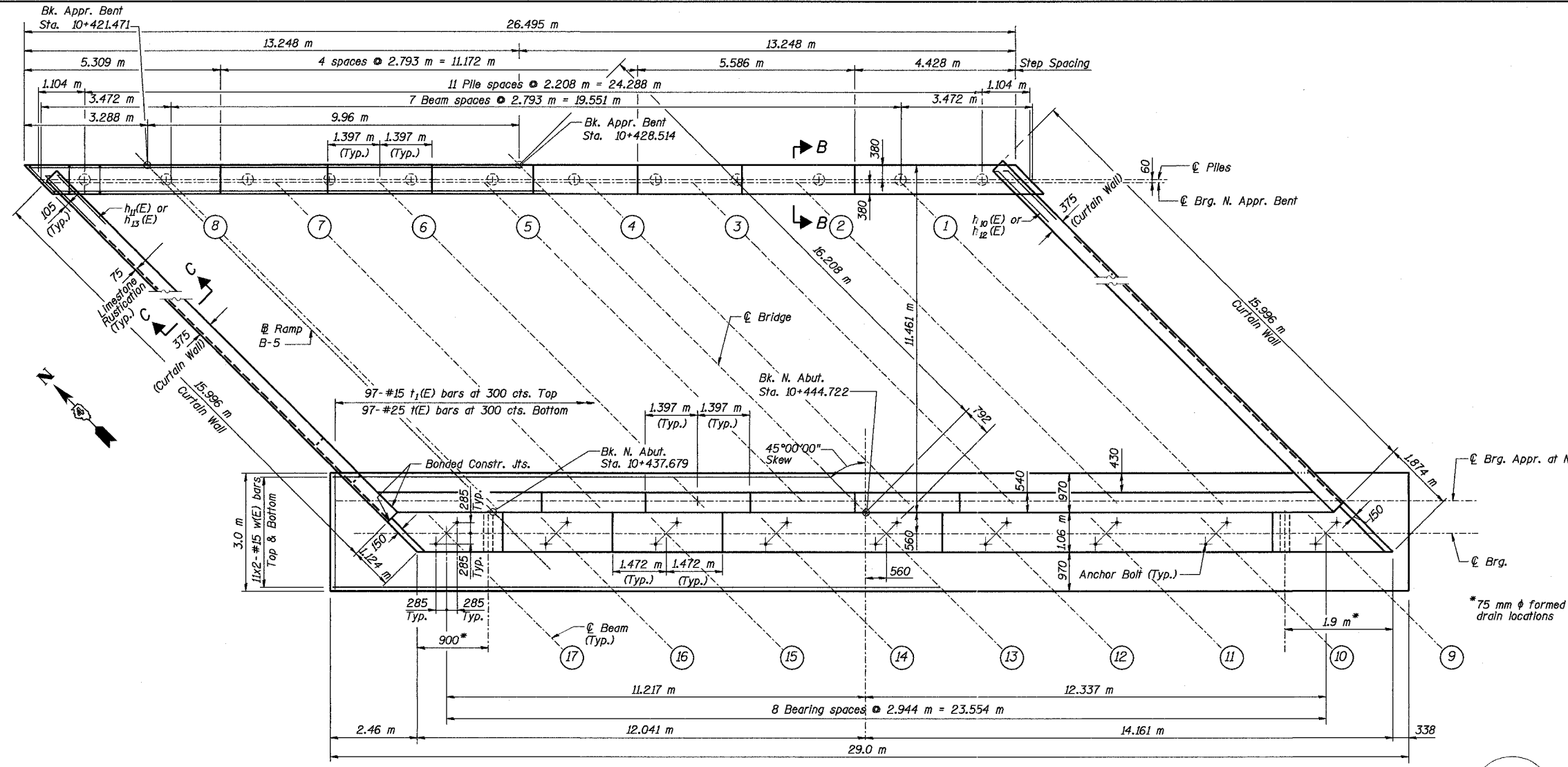
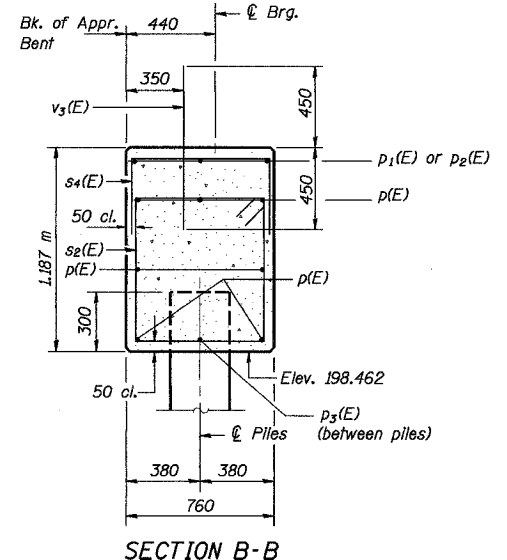
Date: 11/22/2004  
 Time: 09:25:50 AM  
 File name: P:\643996\structure\072-0190\sheet\Tracings\AB000-1A0720190.dgn

ROUTE NO.	SECT.	COUNTY	SHEET NO.	TOTAL SHEETS
F.A.I. 74	(72-7) R-3	PEORIA	520	1360
FED. ROAD DIST. NO. 7	ILLINOIS	FED. AID PROJECT	CONTRACT NO. 68200	

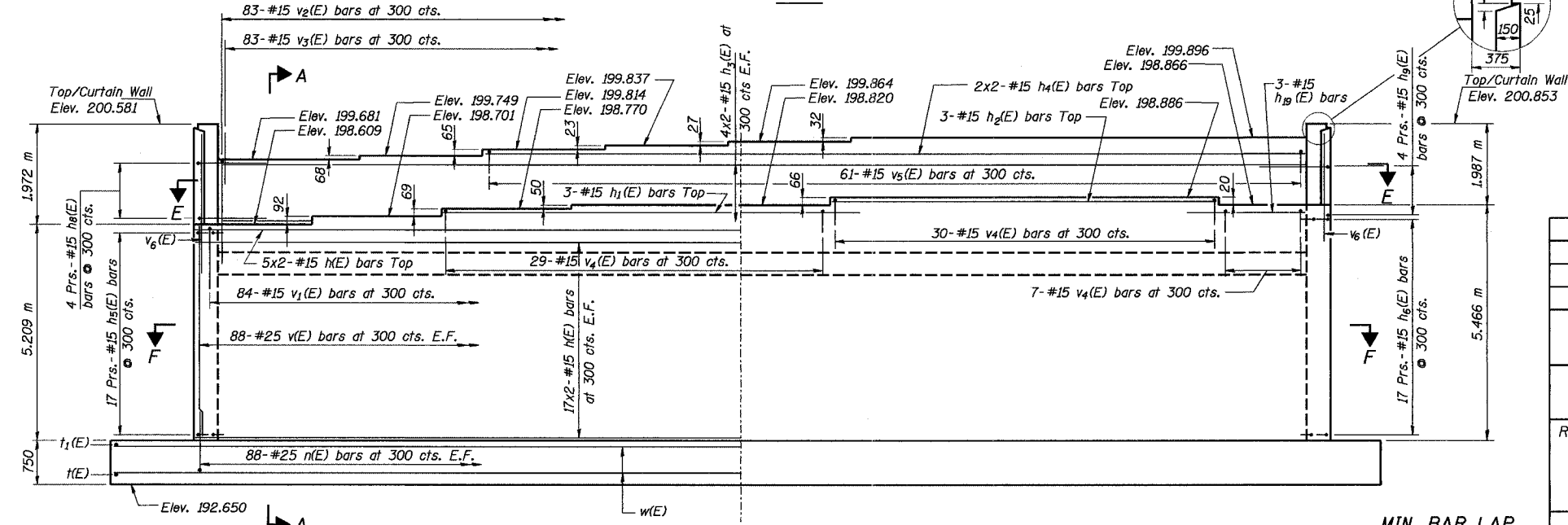
Notes:  
 Space reinforcement in cap to miss anchor bolts.  
 Reinforcement bars designated (E) shall be epoxy coated.  
 For Bill of Material and reinforcement details, see sheet 23.  
 Work this sheet with sheet 22.  
 Pour steps monolithically with cap.  
 All dimensions are in millimeters (mm) except as noted.  
 Bars indicated thus 20 X 3-#15 etc. indicates 20 lines of bars with 3 lengths per line.  
 All stations based on @ Ramp B-5 stationing.  
 The maximum applied bearing pressure at the abutment is 238 kPa.  
 For Rustication on face of abutment and curtain wall, see sheet 30.  
 E.F. denotes each face.  
 For Sections A-A, E-E and F-F, see sheet 23.

**APPR. BENT-PILE DATA**

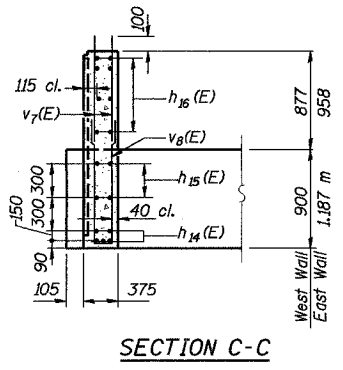
Type: 305 mm  $\phi$  metal shell piles with 6 mm walls  
 Capacity: 400 KN  
 Est. Length: 12.5 m  
 No. Req'd: 11 Plus 1 Test Pile



**PLAN**



**ELEVATION AT NORTH ABUTMENT**



**SECTION C-C**

**MIN. BAR LAP**  
 #15 bar = 640

Designed by: MBO  
 Checked by: DL  
 Drafted by: FTE  
 Checked by: DL

REVISION	DATE	DESCRIPTION
<b>STATE OF ILLINOIS</b> <b>DEPARTMENT OF TRANSPORTATION</b> <b>NORTH ABUTMENT PLAN AND ELEVATION</b> RAMP B-3 AND B-5 OVER WAR MEMORIAL DR. AND RAMP B-6 F.A.I. ROUTE 74 SECTION (72-7) R-3 PEORIA COUNTY STA. 10+618.61 (RAMP B-3) STA. 10+472.60 (RAMP B-5) STRUCTURE NUMBER 072-0190 <b>PARSONS TRANSPORTATION GROUP</b> CHICAGO, ILLINOIS		
DRAWING NO. 21	SCALE N.T.S.	DATE 2-21-03
		SHEET NO. 21