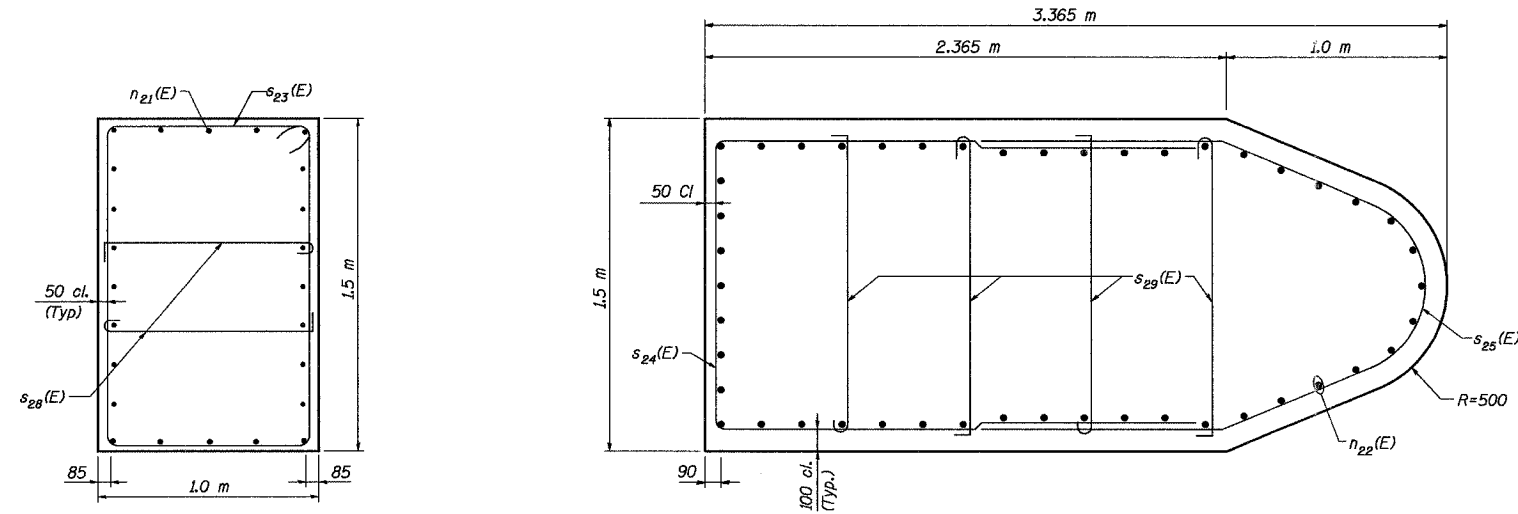


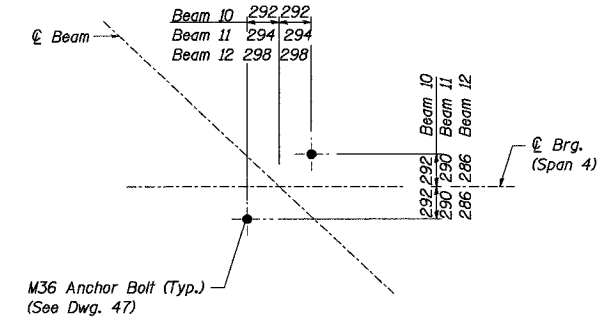
ROUTE NO.	SECT.	COUNTY	SHEET NO.	TOTAL SHEETS
F.A.I. 74	(72-7) R-3	PEORIA	486	1360
FED. ROAD DIST. NO. 7		ILLINOIS	FED. AID PROJECT	

CONTRACT NO. 68200

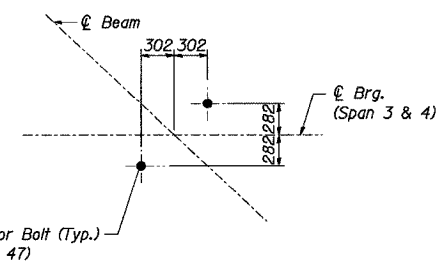


**SECTION A-A**  
Typical Int. Column Section

**SECTION B-B**  
Ext. Column Section

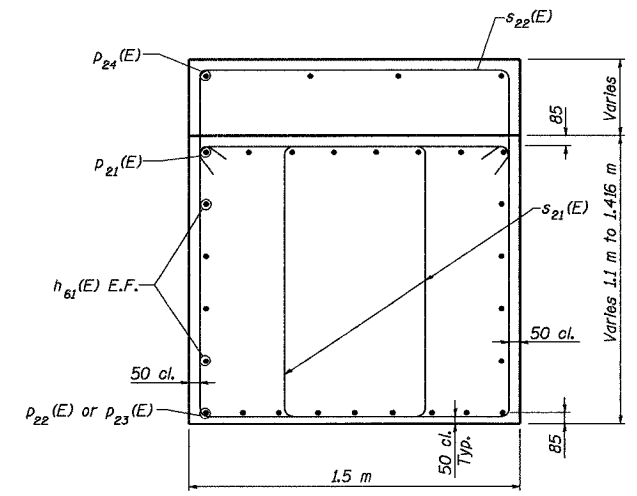


**BEAMS 10-12 (SPAN 4)**

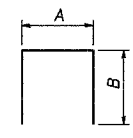


**BEAMS 10-17 (SPAN 3) & BEAMS 13-17 (SPAN 4)**

**ANCHOR BOLTS LOCATION**



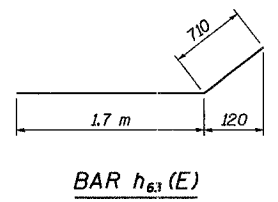
**SECTION C-C**



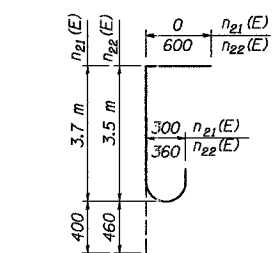
**BARS**

**A & B DIMENSIONS**

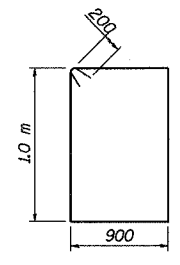
Bar	A	B
s22(E)	1300	650
s24(E)	1300	2320
s26(E)	1270	1111
s27(E)	1300	1520



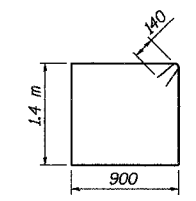
**BAR h63(E)**



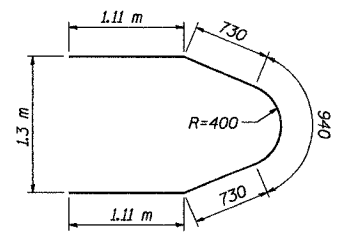
**BARS n21(E), n22(E)**



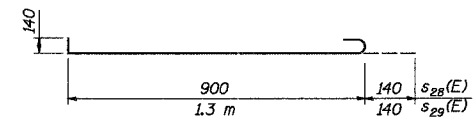
**BAR s21(E)**



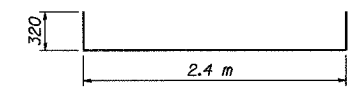
**BAR s23(E)**



**BAR s25(E)**



**BARS s28(E), s29(E)**



**BAR t21(E)**

Notes:  
E.F. - Each Face  
Reinforcement bars designated (E) shall be epoxy coated.  
All dimensions are in millimeters (mm) except as noted.

**BILL OF MATERIAL**

Bar	No.	Size	Length (m)	Shape
h61(E)	90	#20	10.12	—
h62(E)	10	#25	15.00	—
h63(E)	40	#15	2.41	—
n21(E)	96	#30	4.10	U
n22(E)	96	#35	4.56	U
p21(E)	16	#30	14.40	—
p22(E)	9	#30	17.24	—
p23(E)	9	#30	12.74	—
p24(E)	8	#25	10.54	—
s21(E)	236	#20	4.20	□
s22(E)	68	#15	2.6	□
s23(E)	32	#15	4.88	□
s24(E)	16	#20	5.94	□
s25(E)	24	#20	4.57	□
s26(E)	22	#20	3.49	□
s27(E)	246	#15	4.34	□
s28(E)	64	#15	1.18	—
s29(E)	64	#15	1.58	—
t21(E)	96	#20	3.04	□
t22(E)	96	#15	2.40	—
w21(E)	45	#15	10.05	—
Furnishing Metal				
Pile Shells 356 mm	m		468	
Driving and Filling Shells	m		468	
Test Pile Metal Shells	Each		1	
Concrete Structures	m <sup>3</sup>		275	
Reinforcement Bars, Epoxy Coated	kg		18800	
Structure Excavation	m <sup>3</sup>		496	

REVISION	DATE	DESCRIPTION
STATE OF ILLINOIS DEPARTMENT OF TRANSPORTATION		
PIER 2 DETAILS		
RAMPS B-1 AND B-4 OVER F.A.I. ROUTE 74 (I-74) RAMPS A-3 AND B-3 F.A.I. ROUTE 74 SECTION (72-7) R-3 PEORIA COUNTY STATION 10+779.03 STRUCTURE NUMBER 072-0183		
PARSONS TRANSPORTATION GROUP CHICAGO, ILLINOIS		
DRAWING NO. 43	SCALE N.T.S.	DATE 2-18-03
		SHEET NO. 43

Date: 1/19/2004 Times: 0:06 AM  
Filename: P:\643996\structure\072-0183\Sheet\Tracings\SD0021-40720183.dgn

Designed by: DL  
Checked by: WEE  
Drafted by: JMG  
Checked by: AK/WEE