

ROUTE NO.	SECT.	COUNTY	SHEET NO.	TOTAL SHEETS
F.A.I. 74	(72-7) R-3	PEORIA	783	1366
FED. ROAD DIST. NO.	ILLINOIS	FED. AID PROJECT		
NO. 7				

CONTRACT NO. 68200

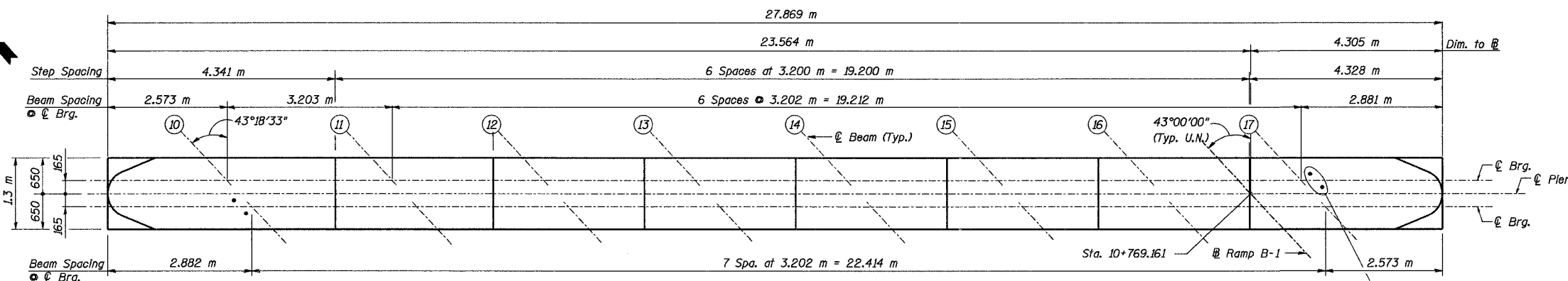
**Notes:**

Bars indicated thus 4x2-#25 etc. Indicates 4 lines of bars with 2 lengths per line.  
 E.F. = Each Face  
 Four steps monolithically with cap.  
 Reinforcement bars designated (E) shall be epoxy coated.  
 All dimensions are in millimeters (mm) except as noted.  
 Space reinforcement in cap to miss anchor bolts.  
 For Section A-A, B-B & C-C see Sheet 41.

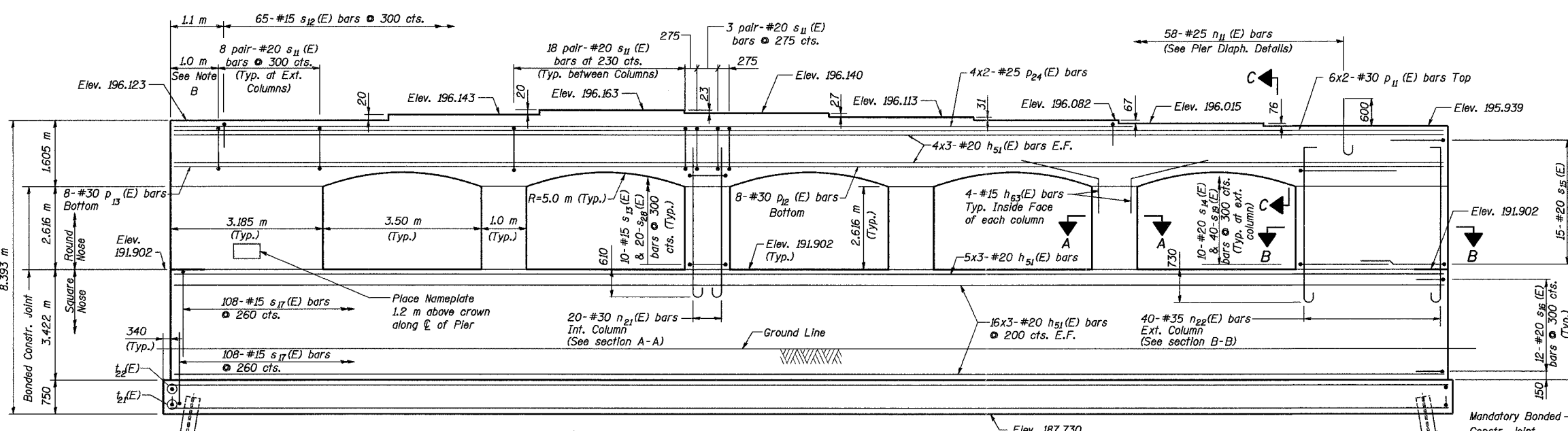
→ and ↑ Indicate Battered Piles

Note A:  
 See Lightning and Electrical Plans for embedded conduit and junction box details.

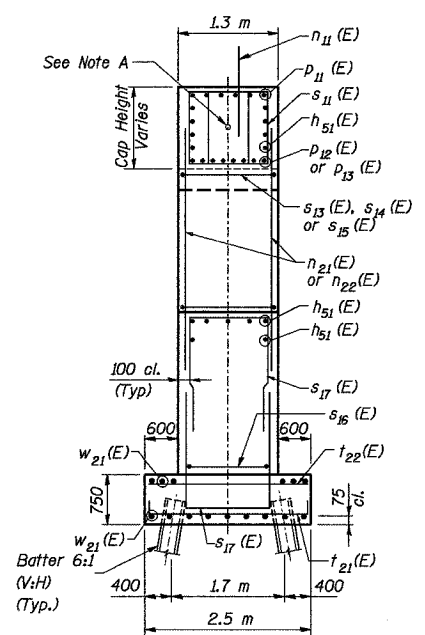
Time: 10/10/08 AM  
 Date: 11/19/2004  
 File: F:\43996\structural\072-0183\Sheet\Tracings\500025-1A0720183.dgn



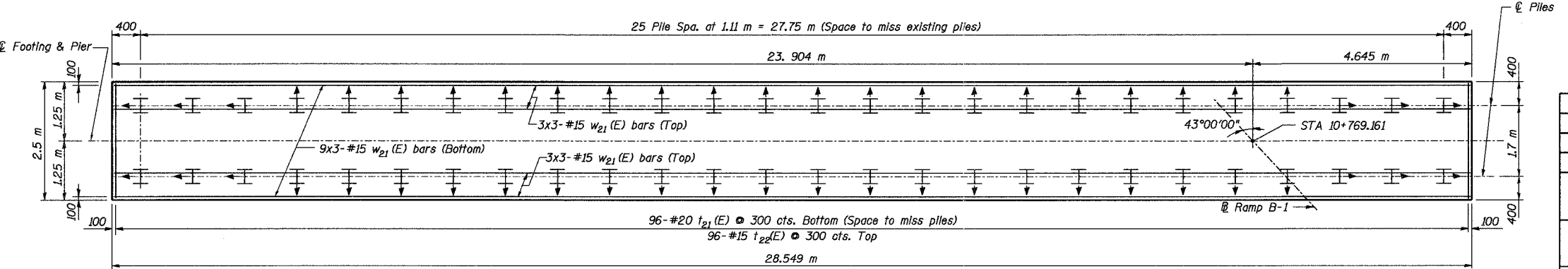
**TOP PLAN**



**ELEVATION**  
(Looking North)



**END VIEW**



**FOOTING PLAN**

**MIN. BAR LAP**

#15 bar = 640  
 #20 bar = 790  
 #25 bar = 1.85 m  
 #30 bar = 2.59 m (Top Bars)  
 #30 bar = 1.85 m (Others)

**PILE DATA**

Type: Steel Piles HP310x79  
 Capacity: 400 kN (Driven) to 600 kN  
 Est. Length: 13.0 m  
 No. Req'd: 51 Plus 1 Test Pile  
 (Drive test pile to 750 kN)

Designed by: DL  
 Checked by: AK  
 Drafted by: JMG  
 Checked by: AK

REVISION	DATE	DESCRIPTION
<b>STATE OF ILLINOIS</b>		
<b>DEPARTMENT OF TRANSPORTATION</b>		
<b>PIER 1</b>		
RAMPS B-1 AND B-4 OVER F.A.I. ROUTE 74 (I-74) RAMPS A-3 AND B-3		
F.A.I. ROUTE 74 SECTION (72-7) R-3 PEORIA COUNTY STATION 10+779.03 STRUCTURE NUMBER 072-0183		
PARSONS TRANSPORTATION GROUP CHICAGO, ILLINOIS		
DRAWING NO. 40	SCALE N.T.S.	DATE 2-18-03
		SHEET NO. 40