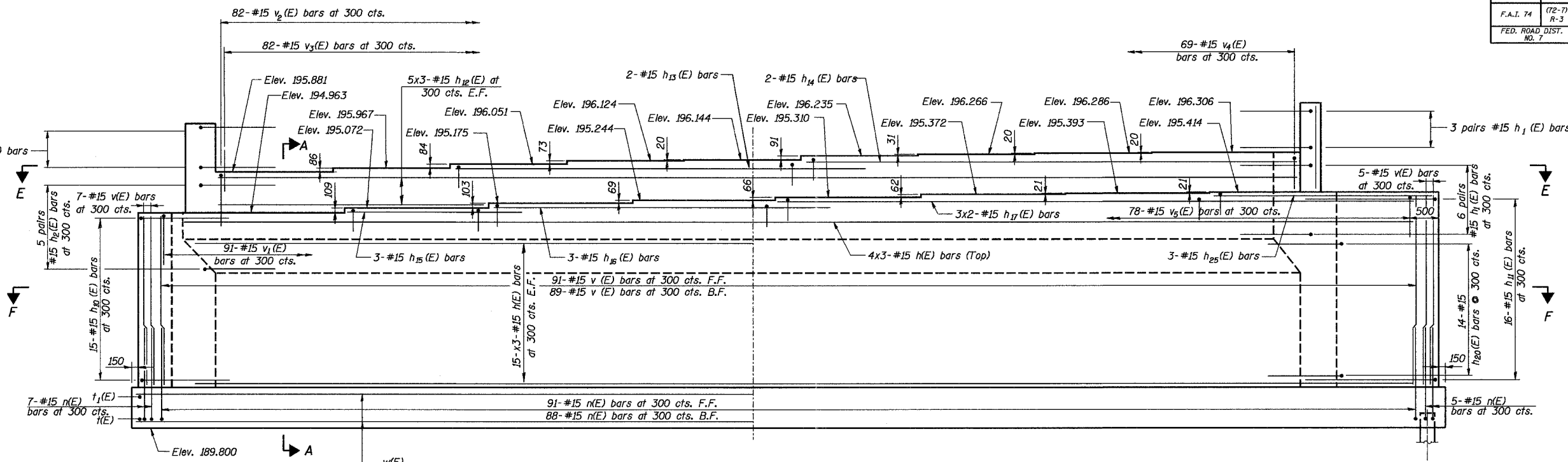


ROUTE NO.	SECT.	COUNTY	SHEET NO.	TOTAL SHEETS
F.A.I. 74	(72-7) R-3	PEORIA	473	1360
FED. ROAD DIST. NO. 7	ILLINOIS FED. AID PROJECT		CONTRACT NO. 68200	

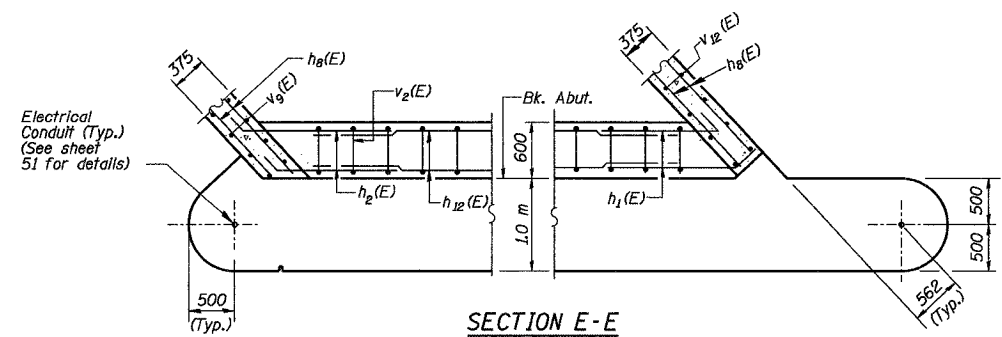
Time: 10:06:15 AM

Date: 11/19/2004

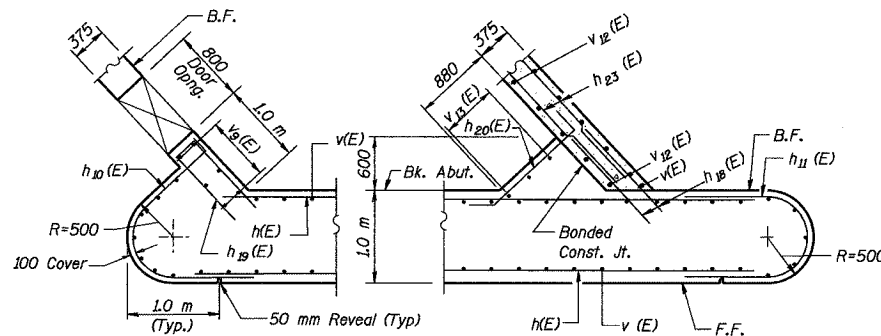
File name: P:\43996\structure\072-0183\Sheet\Tracings\AB0004-140720183.dgn



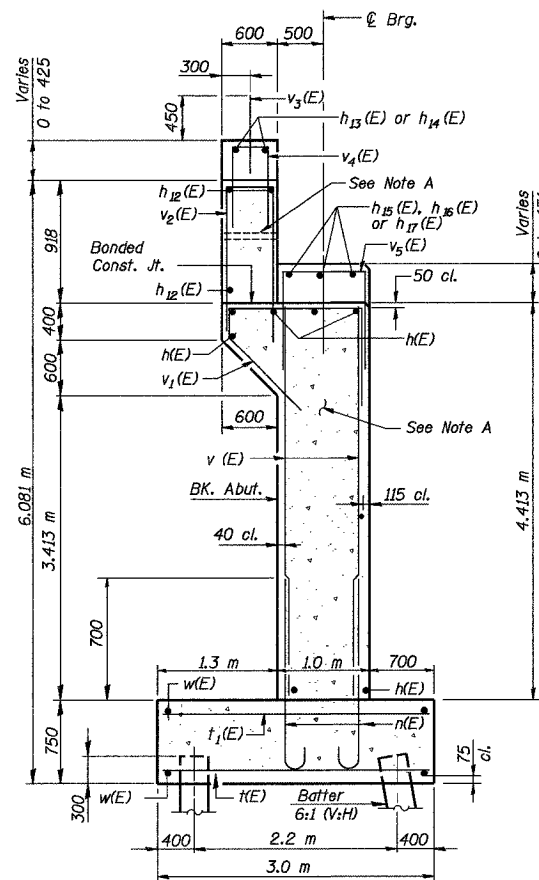
**ELEVATION AT SOUTH ABUTMENT**  
(Looking South)



**SECTION E-E**



**SECTION F-F**



**SECTION A-A**

- Notes:**
- Space reinforcement in cap to miss anchor bolts.
  - For Bill of Material and reinforcement details, see sheet 32.
  - Work this sheet with sheet 29.
  - Pour steps monolithically with cap.
  - Bars indicated thus 20 X 3-#15 etc. indicates 20 lines of bars with 3 lengths per line.
  - For Rustication on face of abutment and curtain wall, see sheet 39.
  - E.F. denotes each face.
  - F.F. denotes front face.
  - B.F. denotes back face.
  - All dimensions are in millimeters (mm) except as noted.
  - Reinforcement bars designated (E) shall be epoxy coated.

REVISION	DATE	DESCRIPTION
<b>STATE OF ILLINOIS DEPARTMENT OF TRANSPORTATION</b>		
<b>SOUTH ABUTMENT ELEVATION</b>		
RAMPS B-1 AND B-4 OVER F.A.I. ROUTE 74 (I-74) RAMPS A-3 AND B-3 F.A.I. ROUTE 74 SECTION (72-7) R-3 PEORIA COUNTY STATION 10+779.03 STRUCTURE NUMBER 072-0183		
PARSONS TRANSPORTATION GROUP CHICAGO, ILLINOIS		
DRAWING NO. 30	SCALE N.T.S.	DATE 2-18-03
		SHEET NO. 30

Designed by: DL  
Checked by: MBQ  
Drafted by: FTE  
Checked by: AK

MIN. BAR LAP  
#15 bar = 640