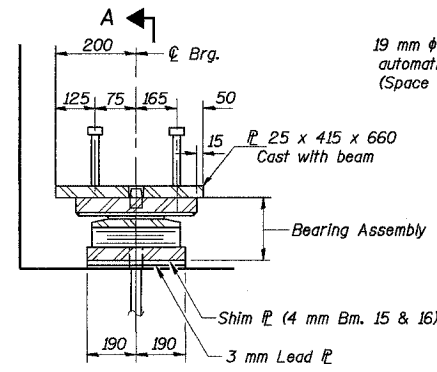
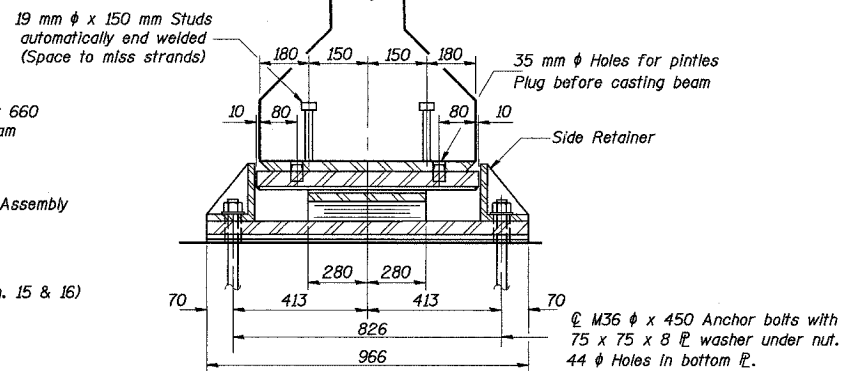


ROUTE NO.	SECT.	COUNTY	SHEET NO.	TOTAL SHEETS
F.A.I. 74	(72-7) R-3	PEORIA	471	1360
FED. ROAD DIST. NO. 7	ILLINOIS	FED. AID PROJECT		

CONTRACT NO. 68200

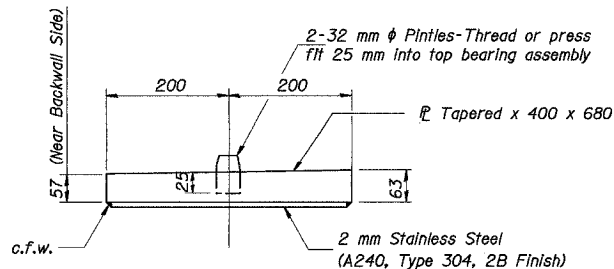


ELEVATION AT N. ABUT.

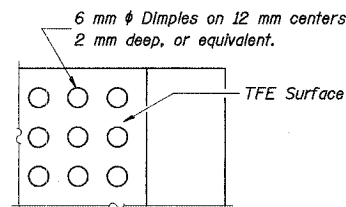


SECTION A-A

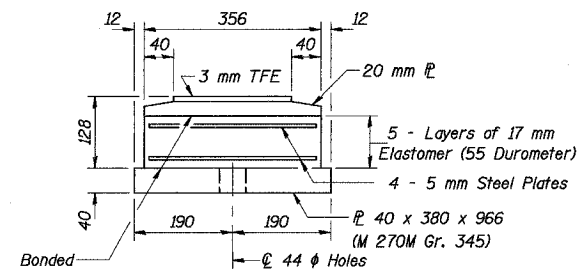
TYPE II TFE ELASTOMERIC EXP. BRG.



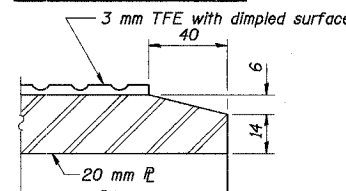
TOP BEARING ASSEMBLY



PLAN-TFE SURFACE



BOTTOM BEARING ASSEMBLY



SECTION THRU TFE

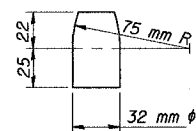
Note: The 3 mm TFE sheet shall be bonded directly to the top steel plate with a two-component, medium viscosity epoxy resin, conforming to the requirements of the Federal Specification MMM-A-134, Type I. The bond agent shall be applied on the full area of the contact surfaces.

Bonding of 3 mm TFE sheet during vulcanizing process will be permitted provided the process and method of adjusting assembly height is approved by the Engineer.

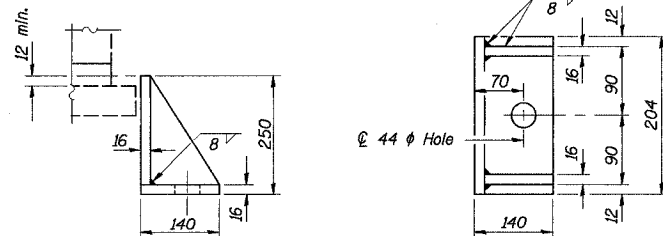
BILL OF MATERIAL

Item	Unit	Total
Elastomeric Bearing Assembly, Type II	Each	8

Notes:
After beams have been erected holes at expansion bearings shall be drilled and anchor bolts grouted in place.
See sheet 47 for anchor bolt installation.
All dimensions are in millimeters (mm) except as noted.

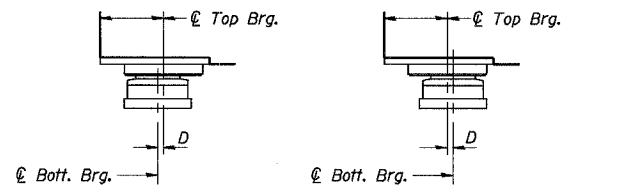


PINTLE



SIDE RETAINER

Equivalent rolled angle with stiffeners will be allowed in lieu of welded plates.
Mass included with structural steel.



BELOW 10 °C. (Move bott. brg. away from fixed brg.)
ABOVE 10 °C. (Move bott. brg. toward fixed brg.)

SETTING ANCHOR BOLTS AT EXP. BRG.

D=1 mm per each 10 m of expansion for every 8 °C temp. change from the normal temp. of 10 °C.

Designed by:	DL
Checked by:	AK
Drafted by:	JV
Checked by:	AK

REVISION	DATE	DESCRIPTION
STATE OF ILLINOIS DEPARTMENT OF TRANSPORTATION EXPANSION BEARINGS NORTH ABUTMENT RAMPS B-1 AND B-4 OVER F.A.I. ROUTE 74 (I-74) RAMPS A-3 AND B-3 F.A.I. ROUTE 74 SECTION (72-7) R-3 PEORIA COUNTY STATION 10+779.03 STRUCTURE NUMBER 072-0183 PARSONS TRANSPORTATION GROUP CHICAGO, ILLINOIS		
DRAWING NO.	SCALE	DATE
28	N.T.S.	2-18-03
SHEET NO.		
28		

Time: 02:50:12 PM Date: 11/23/2004

File name: P:\643996\Structur\072-0183\Sheet\SD0022-1A0720183.dgn