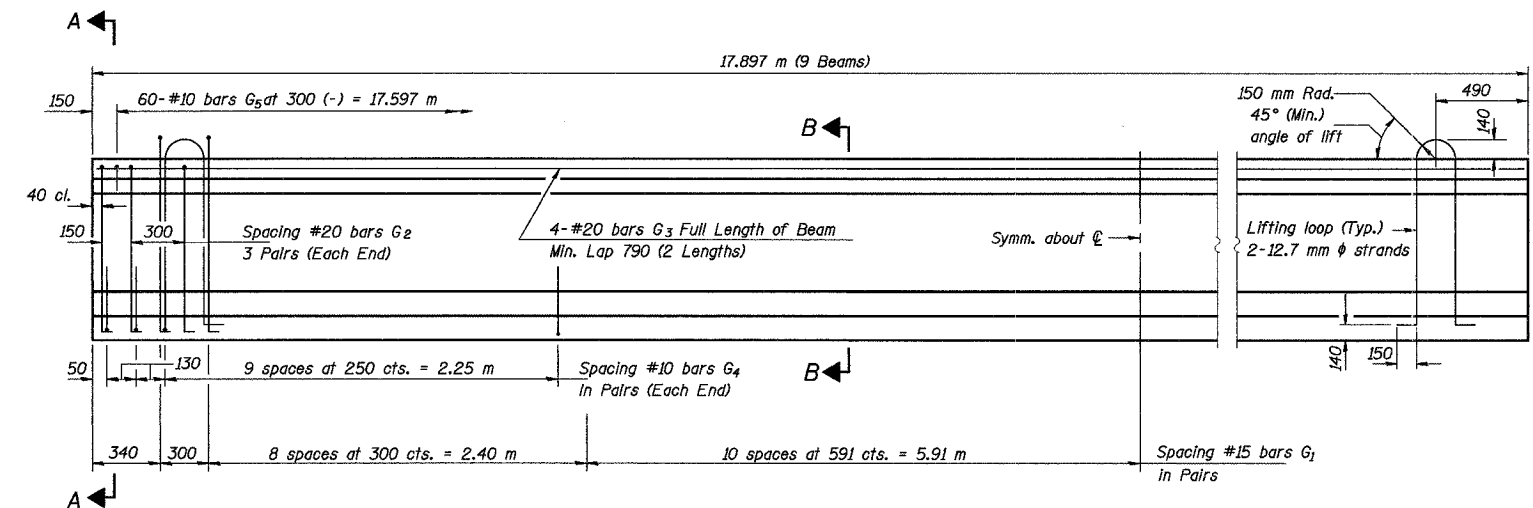
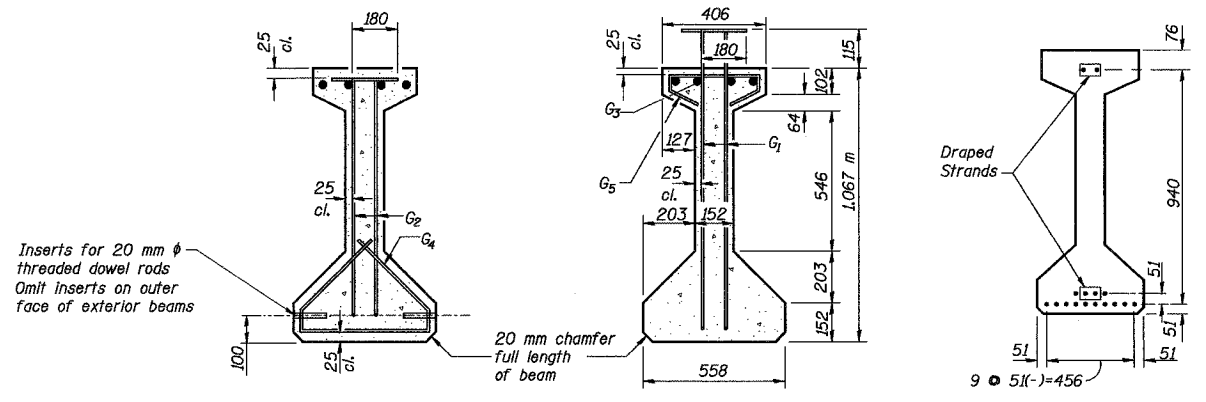


| | | | | |
|-----------------------|------------|------------------|-----------|--------------|
| ROUTE NO. | SECT. | COUNTY | SHEET NO. | TOTAL SHEETS |
| F.A.I. 74 | (72-7) R-3 | PEORIA | 462 | 1360 |
| FED. ROAD DIST. NO. 7 | ILLINOIS | FED. AID PROJECT | | |

CONTRACT NO. 68200



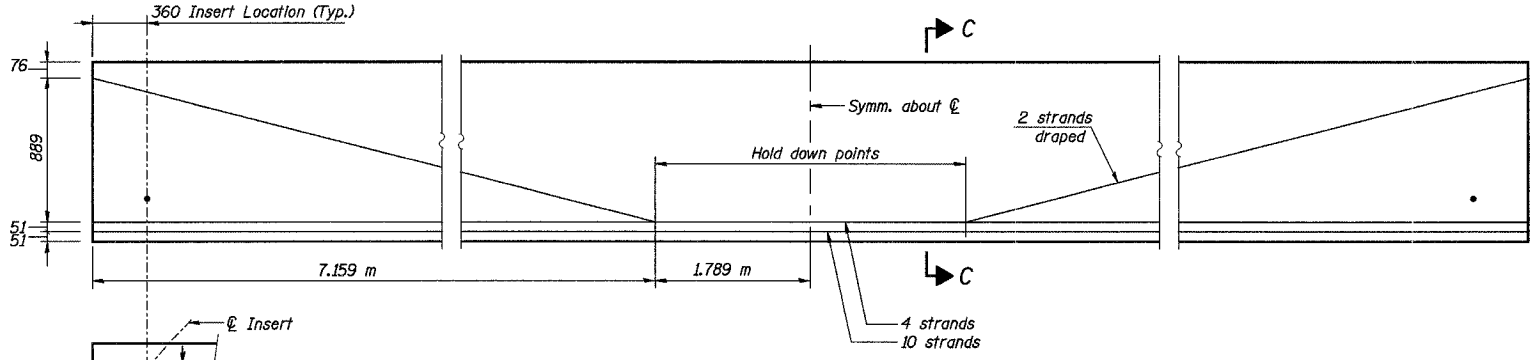
ELEVATION OF BEAM
(Showing Reinforcement & Dimensions)



SECTION A-A

SECTION B-B

SECTION C-C



ELEVATION OF BEAM
(Showing Prestressing Steel)

*** BAR LIST**

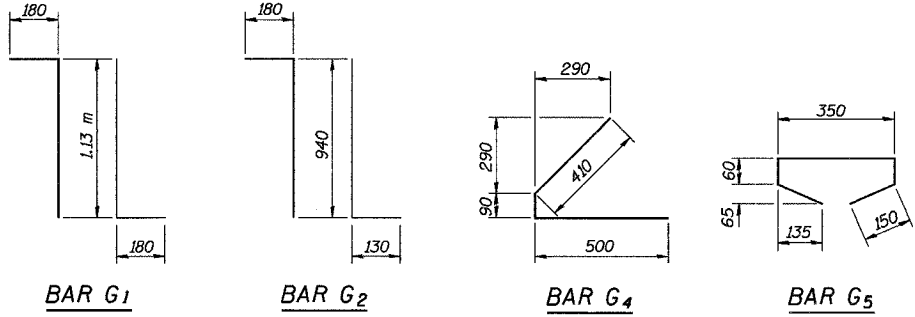
| Bar | No. | Size | Length (m) | Shape |
|----------------|-----|------|------------|-------|
| G ₁ | 78 | #15 | 1.49 | 7L |
| G ₂ | 12 | #20 | 1.25 | 7L |
| G ₃ | 8 | #20 | 9.35 | — |
| G ₄ | 48 | #10 | 1.00 | └ |
| G ₅ | 60 | #10 | 0.77 | └ |

* For one beam only.

BILL OF MATERIAL

| Item | Unit | Total |
|---|------|--------|
| Furnishing and Erecting Precast Prestressed Concrete I-Beams, 1067 mm | m | 161.07 |

Skew Inserts for 20 mm φ x 600 mm Threaded Dowel Rod. Space Inserts to miss strands at South Approach Bent and South Abutment.



BAR G₁

BAR G₂

BAR G₄

BAR G₅

Notes:

- All inserts and threaded dowel rods for inserts, reinforcing and Prestressing Steel, and other items which are cast into the Precast Concrete I-Beams shall be included in the contract unit price per meter of "Furnishing and Erecting Precast Prestressed Concrete I-Beams, 1067 mm".
- Inserts for 20 mm φ threaded dowel rods are to be two strut, coil type for interior I-beams and single coil, flared loop type for exterior I-beams.
- Prestressing steel shall be uncoated high strength, low relaxation 7-wire strand (Fu = 1860 MPa). The nominal diameter shall be 12.7 mm and the nominal cross-sectional area shall be 98.71 mm².
- Required release strength, f'ci, shall be 35 MPa.
- Non-prestressing steel shall conform to AASHTO designation M 31M, M 42M or M 53M Grade 400.
- Reinforcement bars designated (E) shall be epoxy coated.
- Lifting loops shall be 2 -12.7 mm φ strands (Fu=1860 MPa), as shown.
- All dimensions are in millimeters (mm) except as noted.

| REVISION | DATE | DESCRIPTION | |
|---|--------|-------------|-----------|
| STATE OF ILLINOIS DEPARTMENT OF TRANSPORTATION 1067 mm PPC I-BEAM - SOUTH VAULTED BEAM NOS. 1-9 SPAN 1 RAMPS B-1 AND B-4 OVER F.A.I. ROUTE 74 (I-74) RAMPS A-3 AND B-3 F.A.I. ROUTE 74 SECTION (72-7) R-3 PEORIA COUNTY STATION 10+779.03 STRUCTURE NUMBER 072-0183 PARSONS TRANSPORTATION GROUP CHICAGO, ILLINOIS | | | |
| DRAWING NO. | SCALE | DATE | SHEET NO. |
| 19 | N.T.S. | 2-18-03 | 19 |

Time: 10:02:09 AM
 Date: 11/19/2004
 File name: F:\449986\struc\trac\072-0183\Sheet\Tracings\SD00004-140720183.dgn

Designed by: AMK
 Checked by: WEE
 Drafted by: FTE/JMG
 Checked by: WEE