

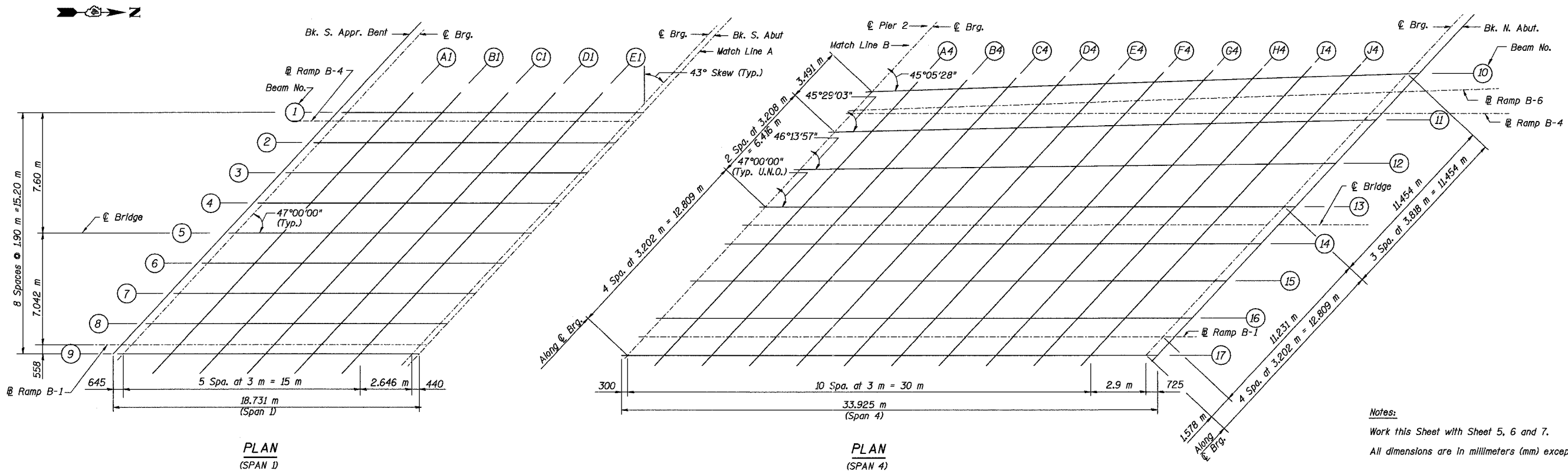
ROUTE NO.	SECT.	COUNTY	SHEET NO.	TOTAL SHEETS
F.A.I. 74	(72-7) R-3	PEORIA	447	1360
FED. ROAD DIST. NO. 7	ILLINOIS	FED. AID PROJECT		

CONTRACT NO. 68200

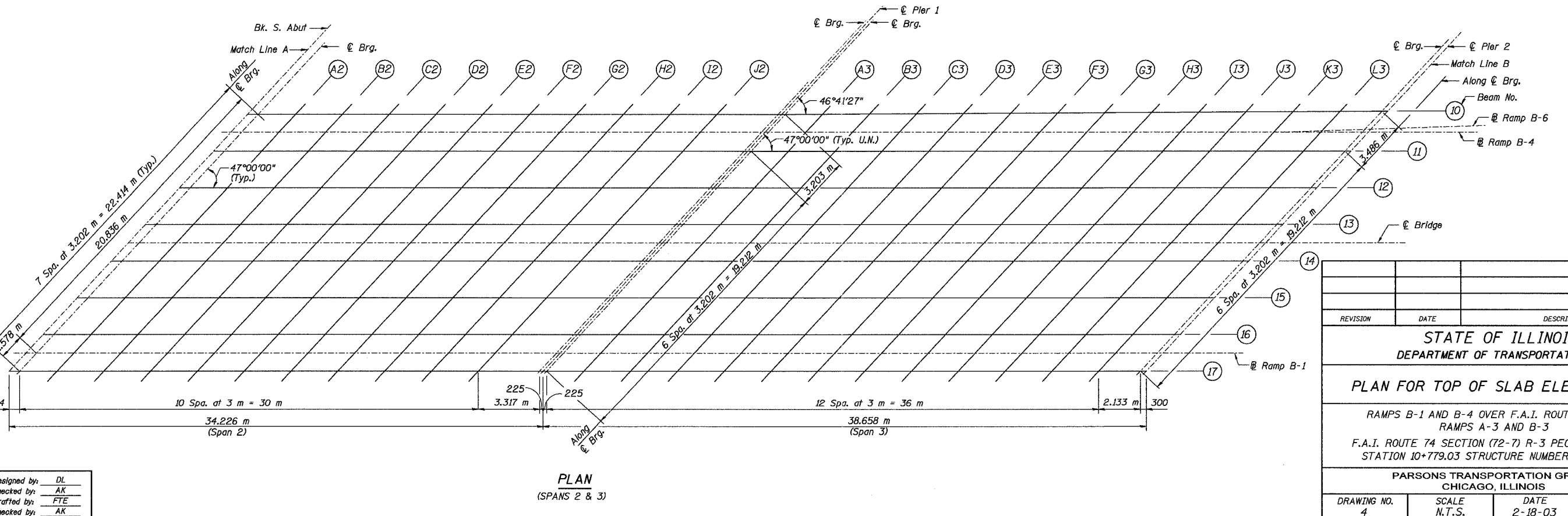
Time: 09:36:59 AM

Date: 11/19/2004

Filename: P:\649996\structure\072-0183\Sheet\Tracings\SH0001-H0720183.dgn



Notes:
 Work this Sheet with Sheet 5, 6 and 7.
 All dimensions are in millimeters (mm) except as noted.



REVISION	DATE	DESCRIPTION

STATE OF ILLINOIS
DEPARTMENT OF TRANSPORTATION

PLAN FOR TOP OF SLAB ELEVATIONS

RAMPS B-1 AND B-4 OVER F.A.I. ROUTE 74 (I-74)
 RAMPS A-3 AND B-3
 F.A.I. ROUTE 74 SECTION (72-7) R-3 PEORIA COUNTY
 STATION 10+779.03 STRUCTURE NUMBER 072-0183

PARSONS TRANSPORTATION GROUP
 CHICAGO, ILLINOIS

DRAWING NO.	SCALE	DATE	SHEET NO.
4	N.T.S.	2-18-03	4

Designed by: DL
 Checked by: AK
 Drafted by: FTE
 Checked by: AK