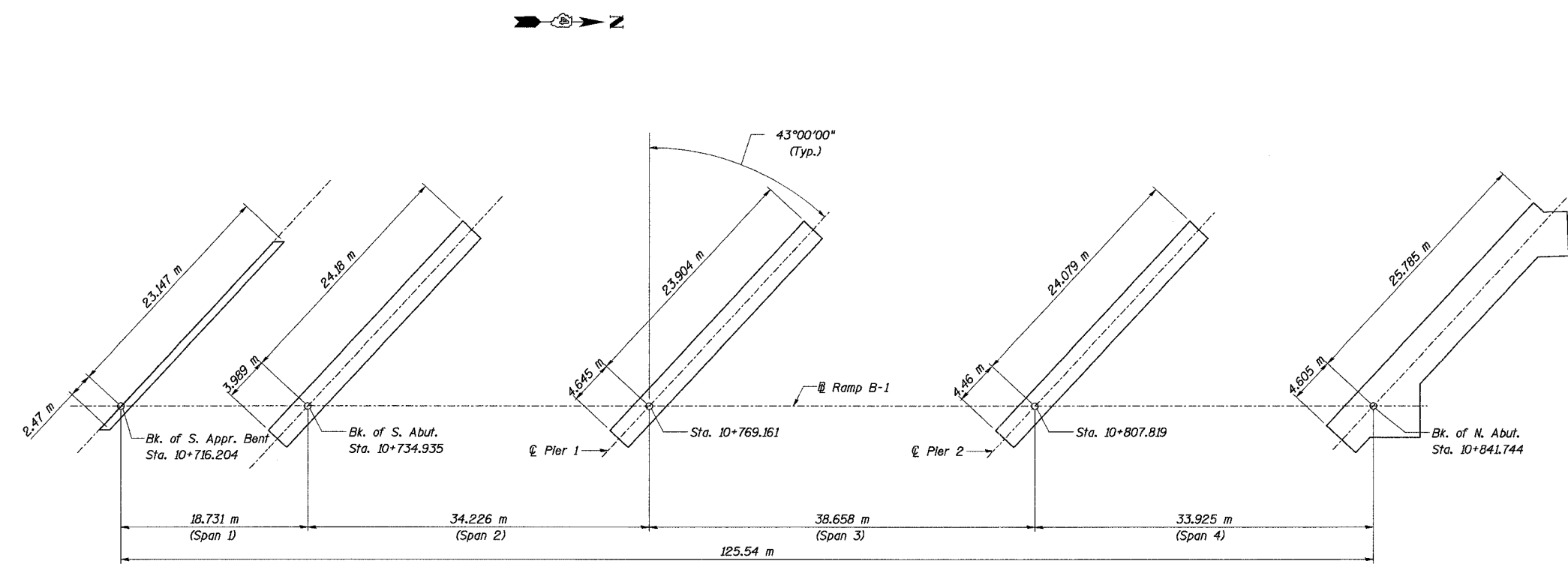


ROUTE NO.	SECT.	COUNTY	SHEET NO.	TOTAL SHEETS
F.A.I. 74	(72-7) R-3	PEORIA	440	1360
FED. ROAD DIST. NO. 7	ILLINOIS		FED. AID PROJECT	

CONTRACT NO. 68200

Date: 11/19/2004 Time: 09:36:37 AM

File name: P:\643996\structural\072-0183\Sheet\Tracings\FP0001-A0720183.dgn



FOOTING LAYOUT PLAN

Designed by:	DL
Checked by:	AK
Drafted by:	RK-S
Checked by:	AK

REVISION	DATE	DESCRIPTION
STATE OF ILLINOIS DEPARTMENT OF TRANSPORTATION		
SUBSTRUCTURE LAYOUT		
RAMPS B-1 AND B-4 OVER F.A.I. ROUTE 74 (I-74) RAMPS A-3 AND B-3 F.A.I. ROUTE 74 SECTION (72-7) R-3 PEORIA COUNTY STATION 10+779.03 STRUCTURE NUMBER 072-0183		
PARSONS TRANSPORTATION GROUP CHICAGO, ILLINOIS		
DRAWING NO. 3	SCALE N.T.S.	DATE 2-18-03
		SHEET NO. 3