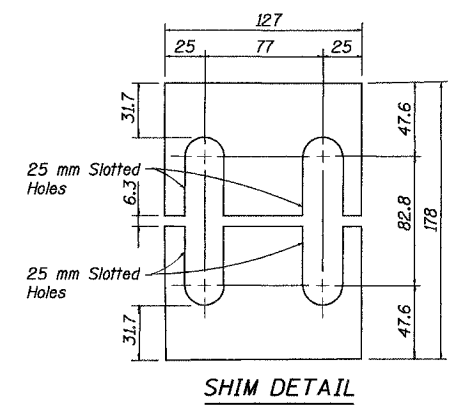
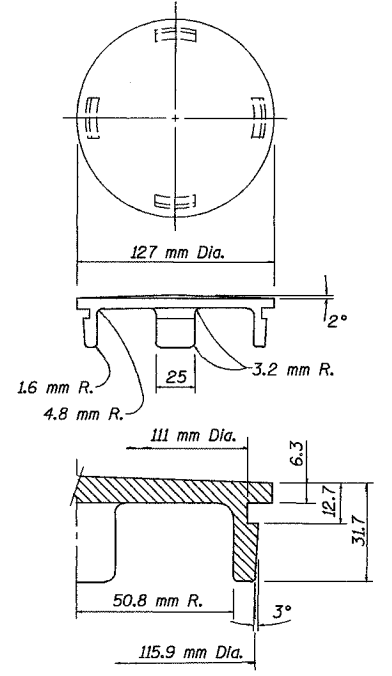
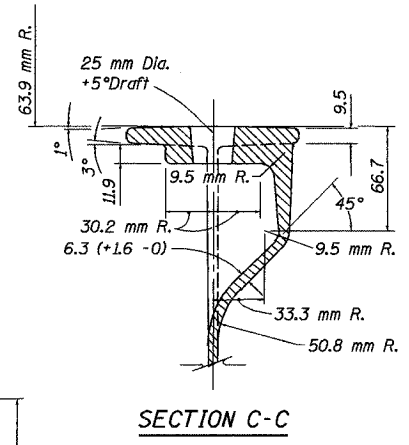
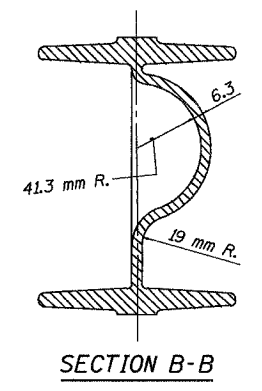
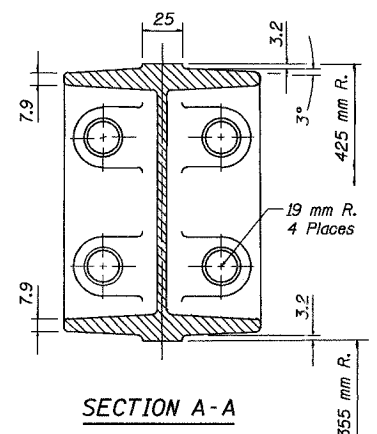
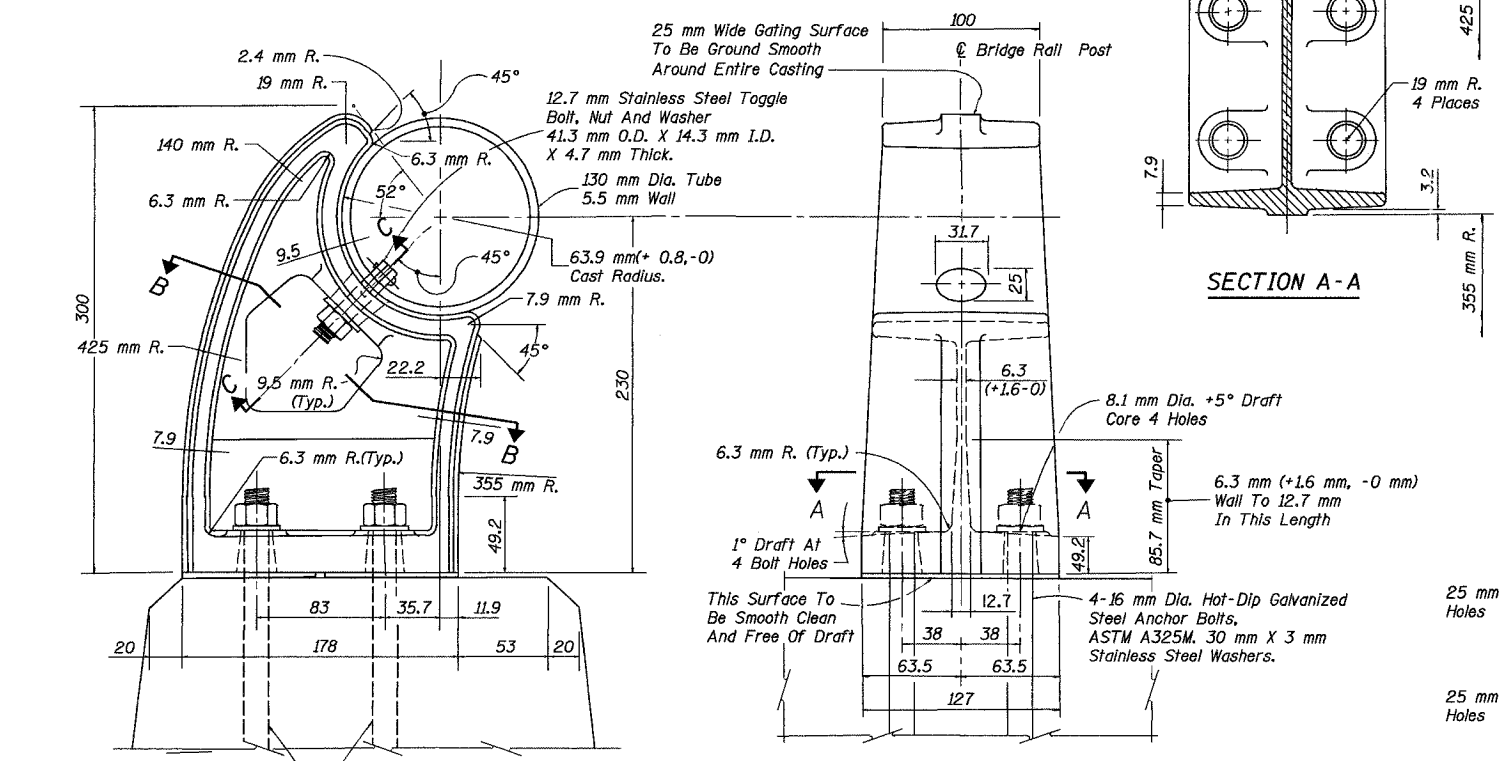
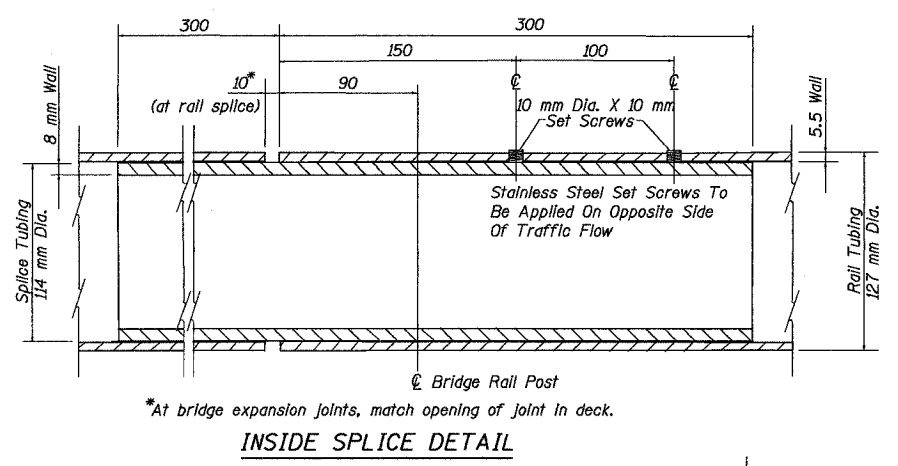
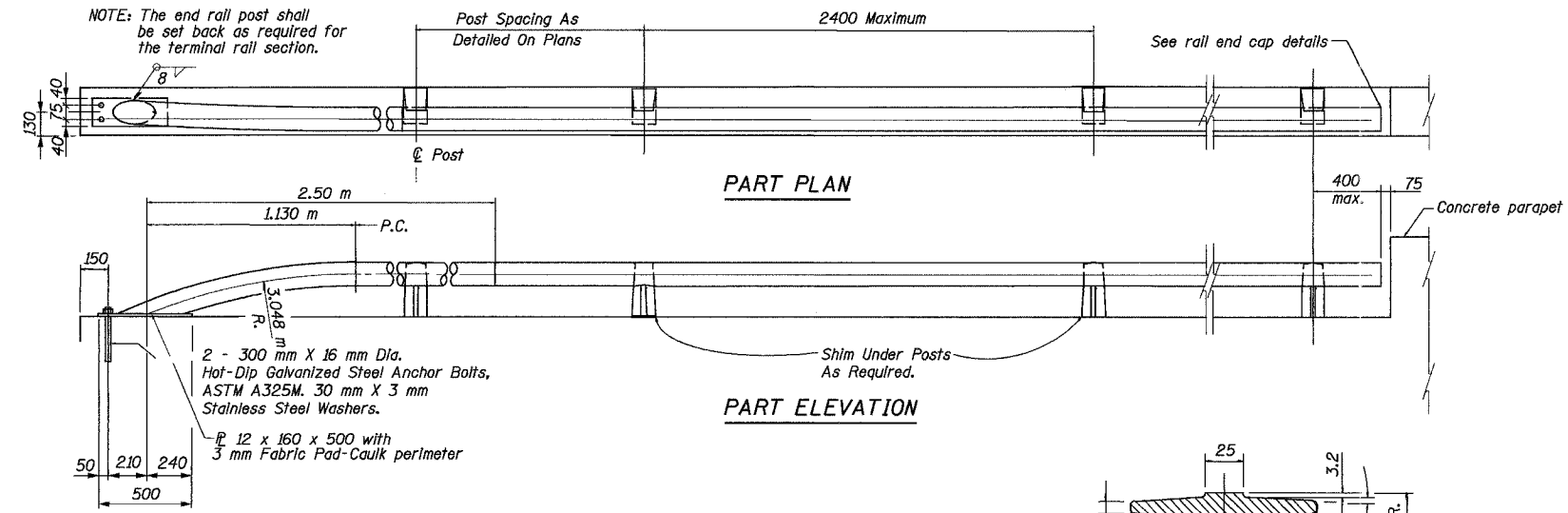


ROUTE NO.	SECT.	COUNTY	SHEET NO.	TOTAL SHEETS
F.A.I. 74	(72-7) R-3	PEORIA	440	1360
FED. ROAD DIST. NO. 7	ILLINOIS	FED. AID PROJECT		

CONTRACT NO. 68200



- NOTES:**
- Railing to conform to vertical and horizontal alignment.
  - Joint to be placed 7500 mm center to center, max.
  - Slip joint to be placed in panels to match expansion joints in deck.
  - Design weight: 9.3 kg. per meter.
  - Unless otherwise specified all draft to be 3°.
  - All unmarked Radius to be 3 mm R.
  - After fabrication, exposed surfaces of aluminum shall be given an anodic oxide coating, dyed black, conforming to the requirements of ASTM designation: B 580, Type B, Architectural Class I.

**BILL OF MATERIAL**

Item	Unit	Quantity
Aluminum Railing, Type H (Special)	m	68.0

**TYPE H ALUMINUM RAILING**

**RAILING DETAILS**

REVISION	DATE	DESCRIPTION
STATE OF ILLINOIS DEPARTMENT OF TRANSPORTATION		
RAILING DETAILS - SINGLE RAIL		
RAMP A-3 OVER RAMP B-5 F.A.I. ROUTE 74 (SECTION 72-7)R-3 PEORIA COUNTY STA. 10+418.515 (RAMP A-3) STRUCTURE NUMBER 072-0172		
PARSONS TRANSPORTATION GROUP CHICAGO, ILLINOIS		
DRAWING NO. RL-1	SCALE N.T.S.	DATE 11/16/04
		SHEET NO. 21

Date: 11/19/2004 Time: 09:16:03 AM File: P:\649996\struc\ur\A3\072-0172\Sheet\Tracings\RD0001-A0720172.dgn