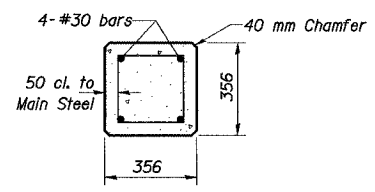
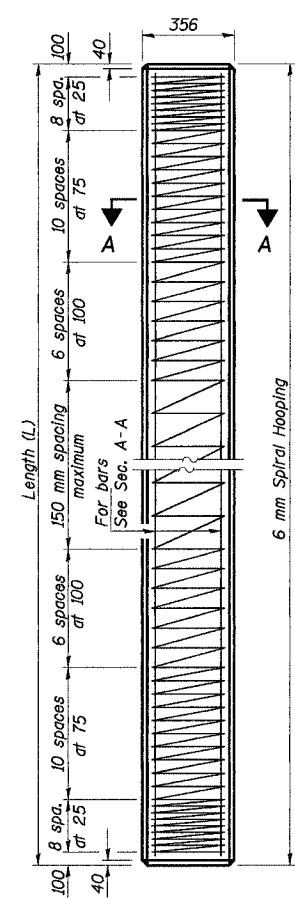


ROUTE NO.	SECT.	COUNTY	SHEET NO.	TOTAL SHEETS
F.A.I. 74	(72-7) R-3	PEORIA	438	1365
FED. ROAD DIST. NO. 7	ILLINOIS	FED. AID PROJECT		

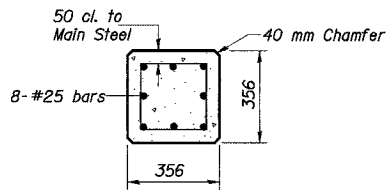
CONTRACT NO. 68200

Date: 11/19/2004 Time: 09:45:06 AM

Filename: P:\643996\Structure\A3\072-012\Sheet\Tracings\SD0003-1A072012.dgn



**SECTION A-A  
FOR PILES UNDER  
13.5 m LONG**

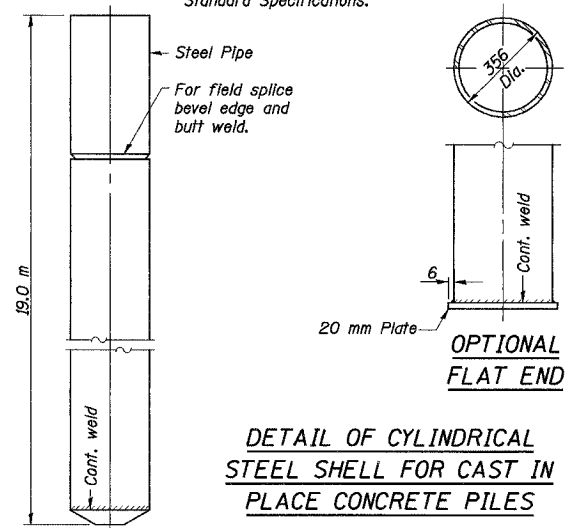


**SECTION A-A  
FOR PILES 13.5 m  
OR MORE**

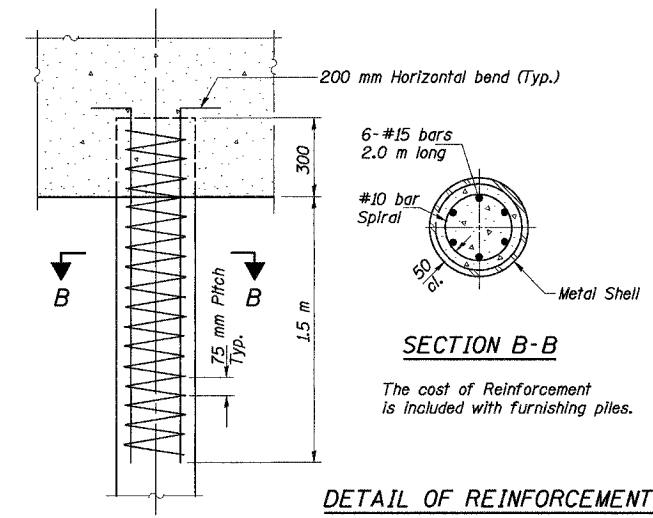
Handling: For Pile lengths up to 13.5 m use two slings placed at a distance of 0.21L from each end. For Piles longer than 13.5 m, use three slings placed at a distance of 0.12L from each end and at mid point of pile.

**DETAIL OF PRECAST  
CONCRETE PILES**

Notes: Driving and bearing ends of pipe shall be cut square. The thickness of the shell shall be 6.35 mm with a tolerance of 5%. The shell shall be according to Article 1006.05(a) of the Standard Specifications.

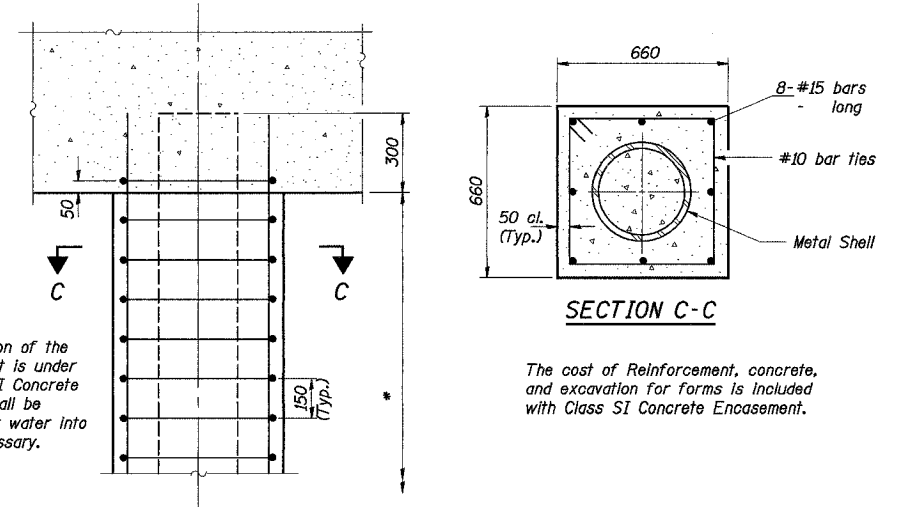


**DETAIL OF CYLINDRICAL  
STEEL SHELL FOR CAST IN  
PLACE CONCRETE PILES**



**DETAIL OF REINFORCEMENT FOR  
METAL SHELLS AT ABUTMENTS**

The cost of Reinforcement is included with furnishing piles.



**DETAIL OF PROTECTION  
FOR METAL SHELLS AT PIERS**

The cost of Reinforcement, concrete, and excavation for forms is included with Class SI Concrete Encasement.

All dimensions are in millimeters (mm) except as noted.

X-PB (M)  
4-30-97

REVISION	DATE	DESCRIPTION
STATE OF ILLINOIS DEPARTMENT OF TRANSPORTATION		
METAL SHELL PILE DETAILS		
RAMP A-3 OVER RAMP B-5 F.A.I. ROUTE 74 (SECTION 72-7)R-3 PEORIA COUNTY STA. 10+418.515 (RAMP A-3) STRUCTURE NUMBER 072-0172		
PARSONS TRANSPORTATION GROUP CHICAGO, ILLINOIS		
DRAWING NO. PL-1	SCALE N.T.S.	DATE 11/16/04
		SHEET NO. 19