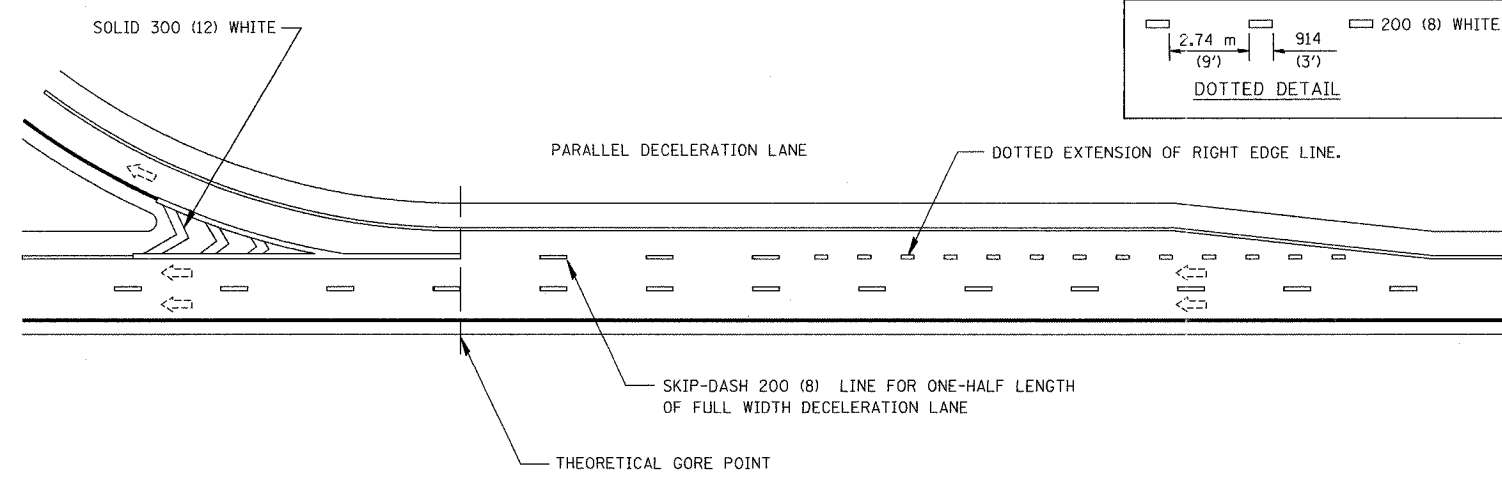
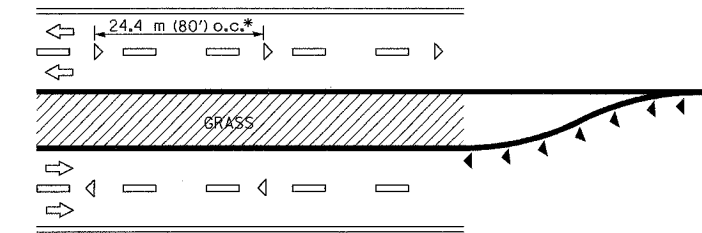


F.A. RTE.	SECTION	COUNTY	TOTAL SHEETS	SHEET NO.
74	(72-71R-3)	PEORIA	1360	418
STA.	TO STA.			
FED. ROAD DIST. NO.	ILLINOIS	FED. AID PROJECT		

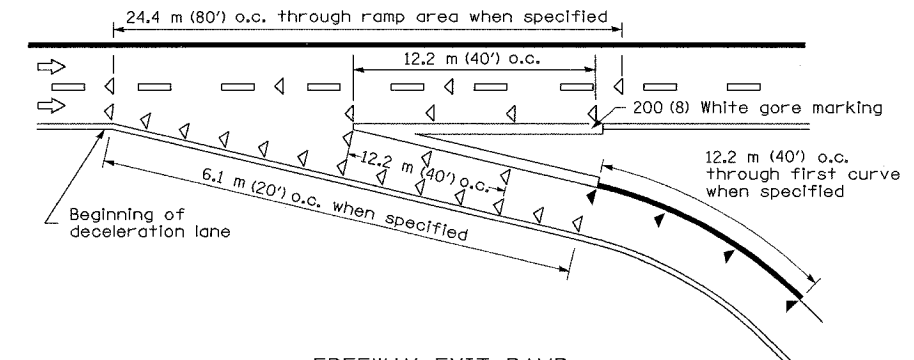
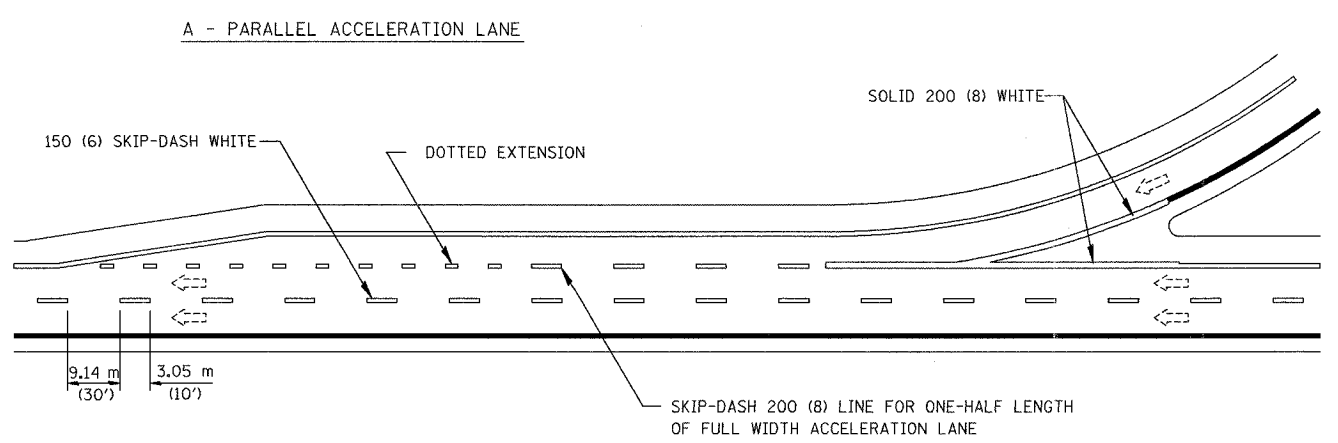


EXIT RAMP MARKINGS



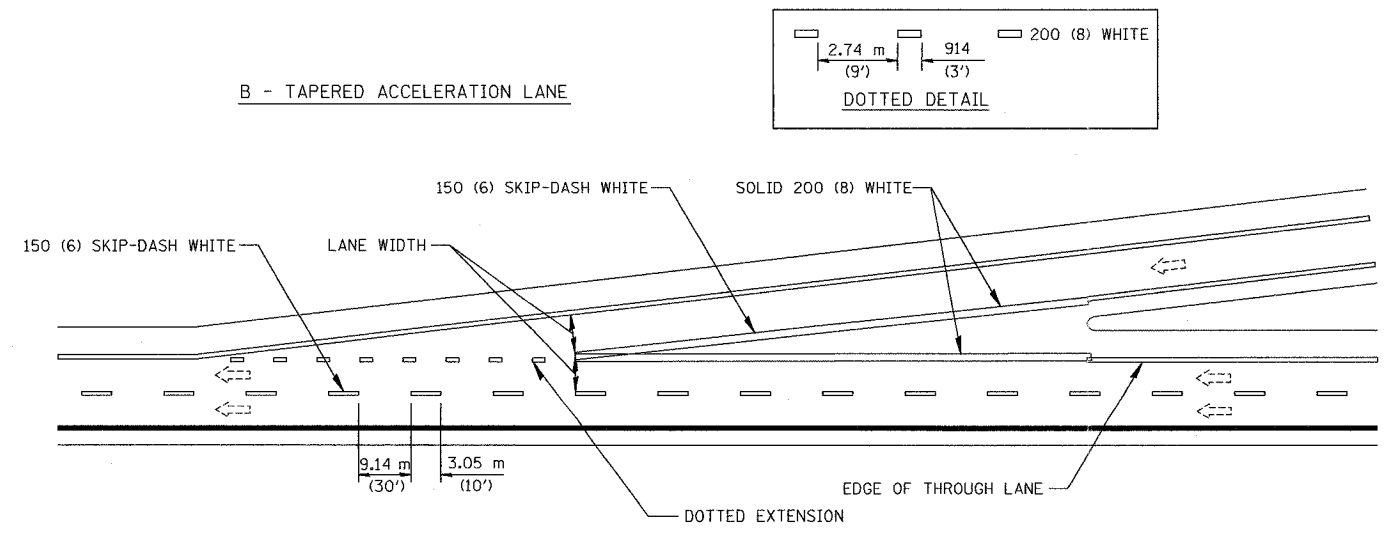
* Reduce to 12.2 m (40') o.c. on curves where advisory speeds are 15 km/h (10 mph) lower than posted speeds.

MULTI-LANE DIVIDED



FREEWAY EXIT RAMP

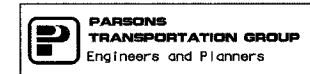
- SYMBOLS
- Yellow stripe
 - White stripe
 - One-way amber marker
 - One-way crystal marker
 - Two-way amber marker



RAISED REFLECTIVE PAVEMENT MARKERS

ENTRANCE RAMP MARKINGS

All dimensions are in millimeters (inches) unless otherwise noted.



NOT TO SCALE

REVISIONS	
NAME	DATE

ILLINOIS DEPARTMENT OF TRANSPORTATION
PAVEMENT MARKING DETAILS
FAI ROUTE 74 (I-74) (WB)
WAR MEMORIAL DRIVE
DRAWN BY CADD
CHECKED BY KJW
DATE 11/12/04