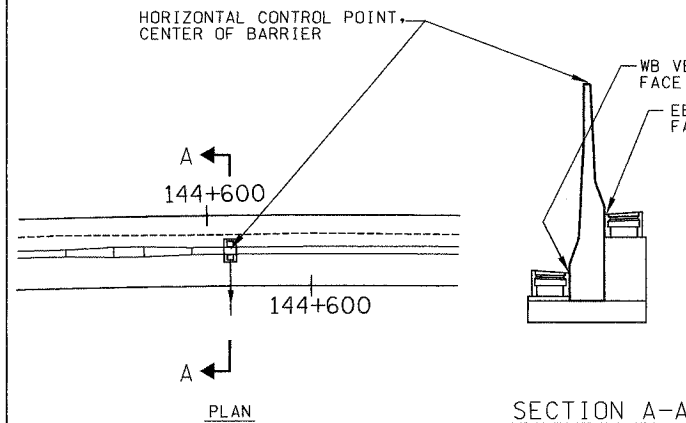
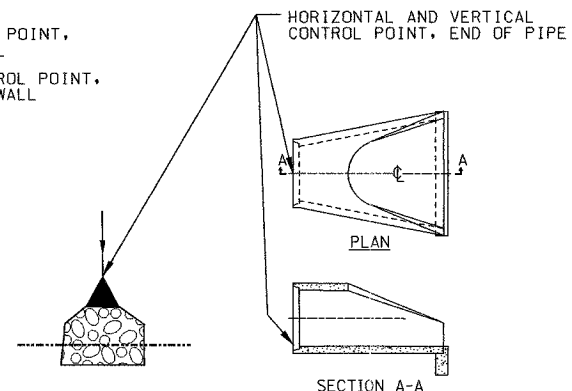


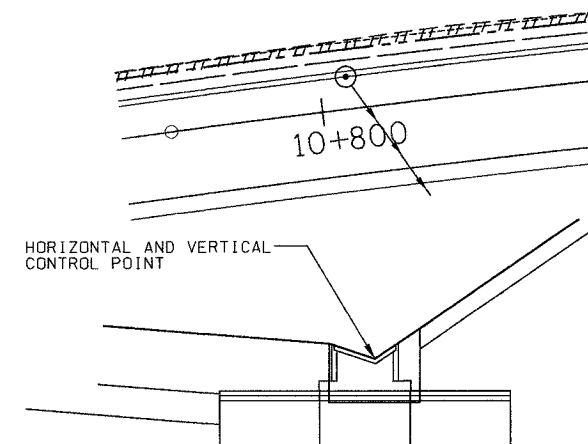
F.A.I. RTE.	SECTION	COUNTY	TOTAL SHEETS	SHEET NO.	
74	(72-7)R-1	PEORIA	384	265	319
STA.	TO STA.		1360		
FED. ROAD DIST. NO.	ILLINOIS FED. AID PROJECT				



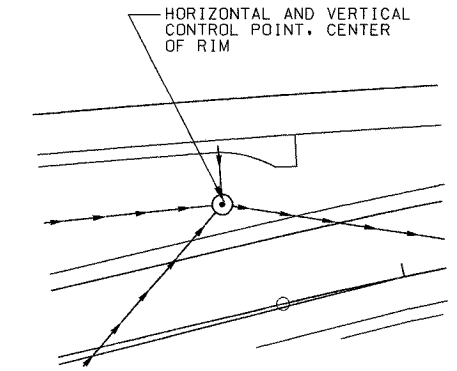
BARRIER WALL DRAINAGE STRUCTURE



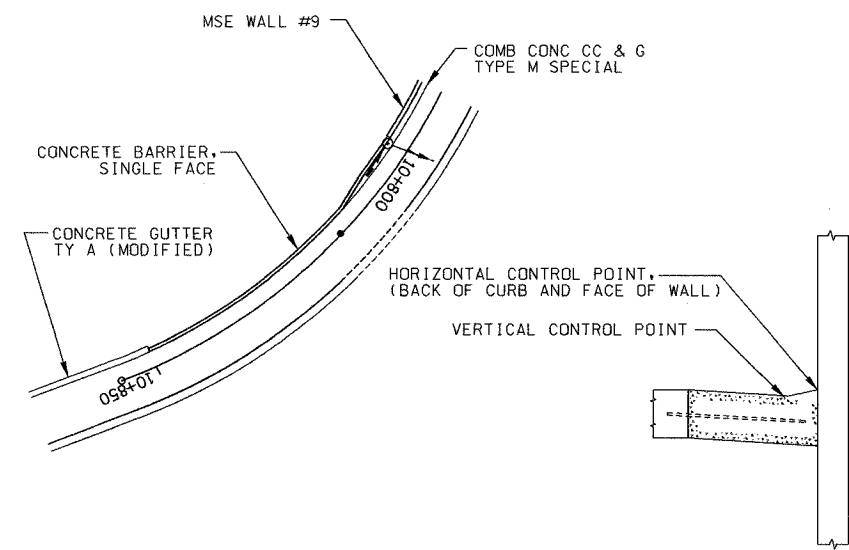
PRECAST REINFORCE CONC. END SECTION



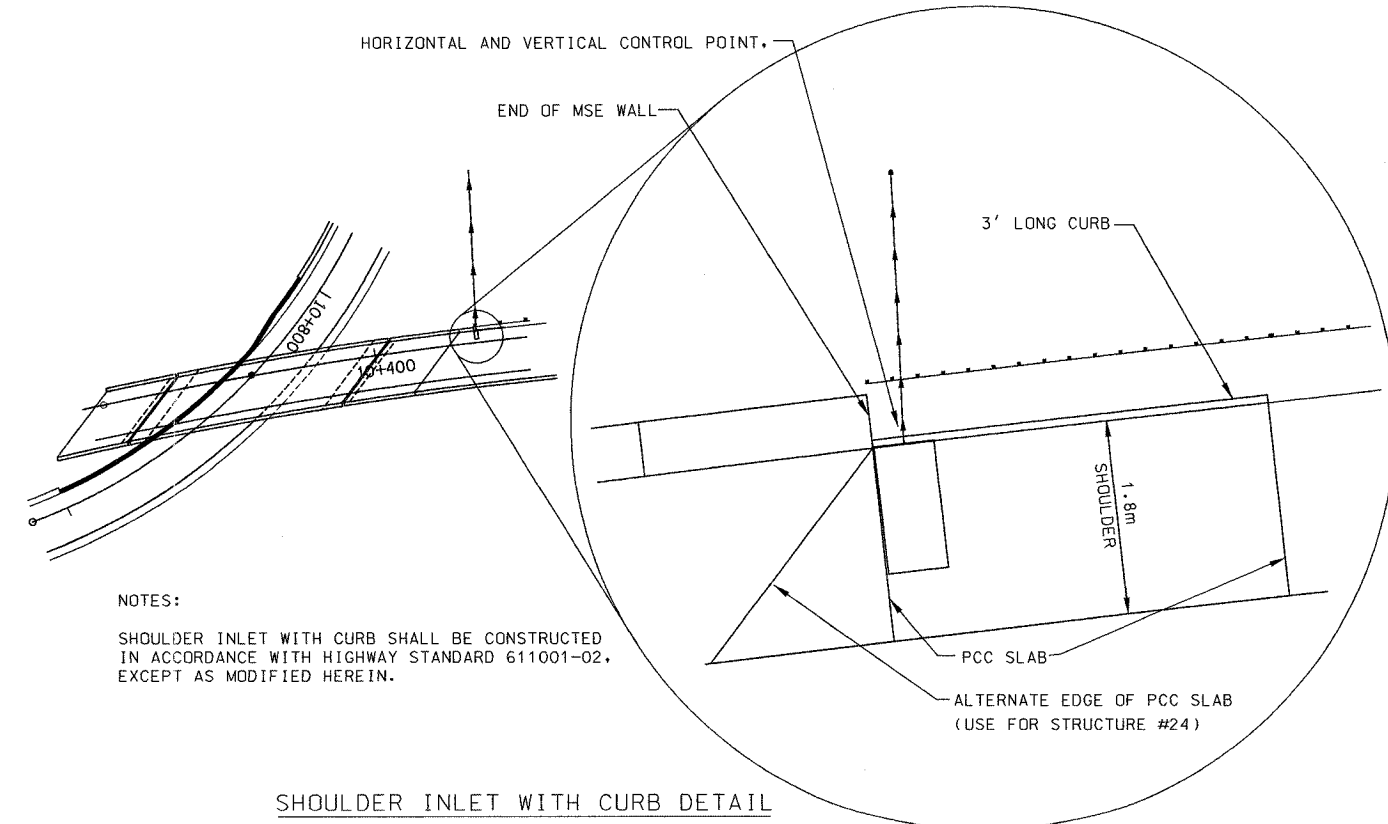
TYPE 9 FRAME AND GRATE



TYPE 1 FRAME AND GRATE



TYPE M-15.65 CURB AND GUTTER



SHOULDER INLET WITH CURB DETAIL

NOTES:
SHOULDER INLET WITH CURB SHALL BE CONSTRUCTED IN ACCORDANCE WITH HIGHWAY STANDARD 611001-02, EXCEPT AS MODIFIED HEREIN.

REVISIONS	
NAME	DATE

ILLINOIS DEPARTMENT OF TRANSPORTATION
CONTROL POINT PLAN
AND SHOULDER INLET DETAIL
FAI ROUTE 74 (I-74) (WB)



DATE 11/12/04
DRAWN BY CADD
CHECKED BY MKW